

TRAXXAS

The Fastest Name In Radio Control



PARTS CATALOG ***2019 Supplement***

PARTS • SPECIFICATIONS • SERVICE

CONTENTS

2019 SUPPLEMENT

MODELS

Green Tabs

TRX-4[®] Bronco (#82046-4)
 TRX-4[®] Blazer (#82076-4)
 TRX-4[®] Mercedes-Benz G 500 (#82096-4)
 TRX-4[®] Chassis Kit (#82016-4)
 TRX-6[®] Mercedes-Benz G 63 6x6 (#88096-4)
 Unlimited Desert Racer (#85086-4)
 Rustler 4x4 (#67064-1)
 Rustler 4x4 VXL (#67076-4)
 MAXX (#89076-4)

INFORMATION

- Batteries and battery chargers may or may not be included depending upon the model. Fuel, tools and other accessories may need to be purchased.
- Some models in this catalog may be photographed with optional equipment.
- The term "Radio" consists of a transmitter, receiver, and two or three servos (or one or two servos and an electronic speed control).
- Traxxas is continually updating and improving our products. Specifications and pricing in this catalog are subject to change without notice.
- Every attempt has been made to ensure the accuracy of the information presented in this catalog; however, Traxxas cannot be held responsible for typographical or other errors.
- Traxxas models are not intended for use on actual public streets, avenues or roadways.
- Some models may not be appropriate for children. Contact Traxxas if you have questions regarding age and application.

CONTACT INFORMATION

Traxxas Phone and Fax Numbers

Toll free: 1-888-TRAXXAS (872-9927)

Phone: 972-549-3000

Fax: 972-549-3011

Traxxas.com

Hours of Operation: 8:30am - 9:00pm Central Time

Shipping and Mailing Address

Traxxas

6250 Traxxas Way

McKinney, TX 75070



TRX-4, E-Revo, Fastest Name In Radio Control, ProGraphix, Ready-To-Win, Ready-To-Drive, Ready-To-Race, Traxxas, TRX, Velineon, Where Power Meets Technology, are all registered trademarks of Traxxas. Genuine Traxxas, GTR Shocks, Traxxas Link, TQi, TQ, Ultra Shocks, are all trademarks of Traxxas. Ford Motor Company Trademarks and Trade Dress used under license to Traxxas. All Rights Reserved. This dealer catalog and contents are all © Traxxas 2018. No part may be legally reproduced without prior written consent from Traxxas.

SCALE AND TRAIL CRAWLER

**BRONCO
RANGER**
XLT

TRX4

MODEL 82046-4

**4WD ELECTRIC
SCALE & TRAIL™ CRAWLER**



TQi 2.4GHz TRANSMITTER



TITAN 21T 550 MOTOR AND
XL-5 HV ELECTRONIC
SPEED CONTROL



GTS ALUMINUM SHOCKS



All other copyrights or trademarks are the property of their respective owners and are being used under license.
Ford Motor Company Trademarks and Trade Dress used under license to Traxxas.

TAKE THE PATH LESS TRAVELED

The Traxxas TRX-4™ Scale and Trail™ crawler is an all-new Traxxas design that is loaded with innovation that instantly obsoletes the status quo with exciting new features, versatility, and capability. In other words, we built it the Traxxas way, rugged, powerful, and ready for fun!

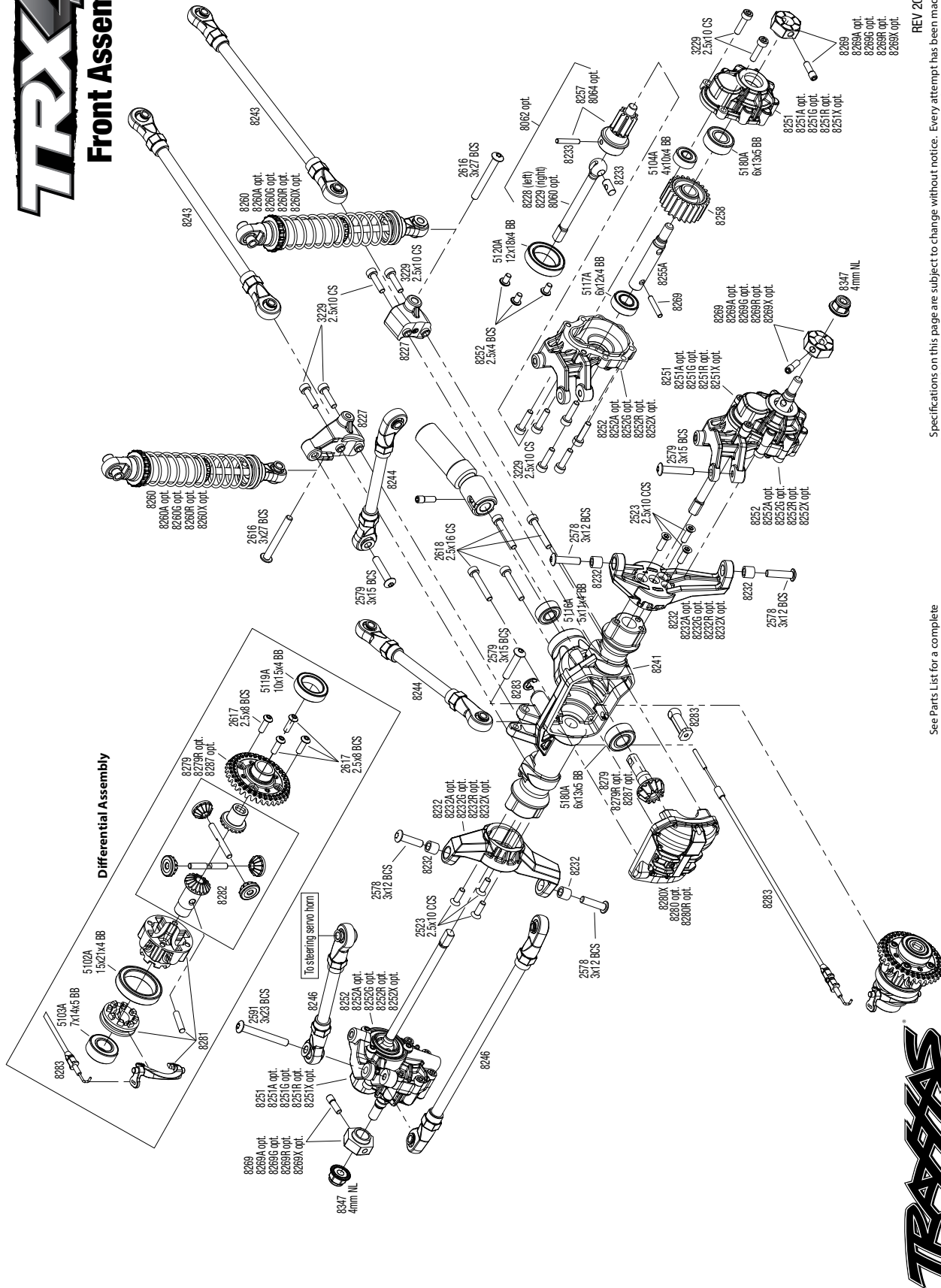
Underneath the authentic scale look is a machine built for extreme off-road capability that takes you to new places and new adventures. Exclusive portal axles deliver maximum ground clearance that dramatically turns "no way" into "no problem." Whether you are enjoying outdoor trails or getting technical on the rocks, the remote-locking front and rear differentials and high/low range transmission provide unmatched driving versatility.



TRAXXAS
The Fastest Name In Radio Control®

TRX4

Front Assembly



REV 200206-R15
 Specifications on this page are subject to change without notice. Every attempt has been made to ensure the accuracy of this drawing; however, Traxxas cannot be held responsible for typographical or other errors.

See Parts List for a complete listing of optional accessories.



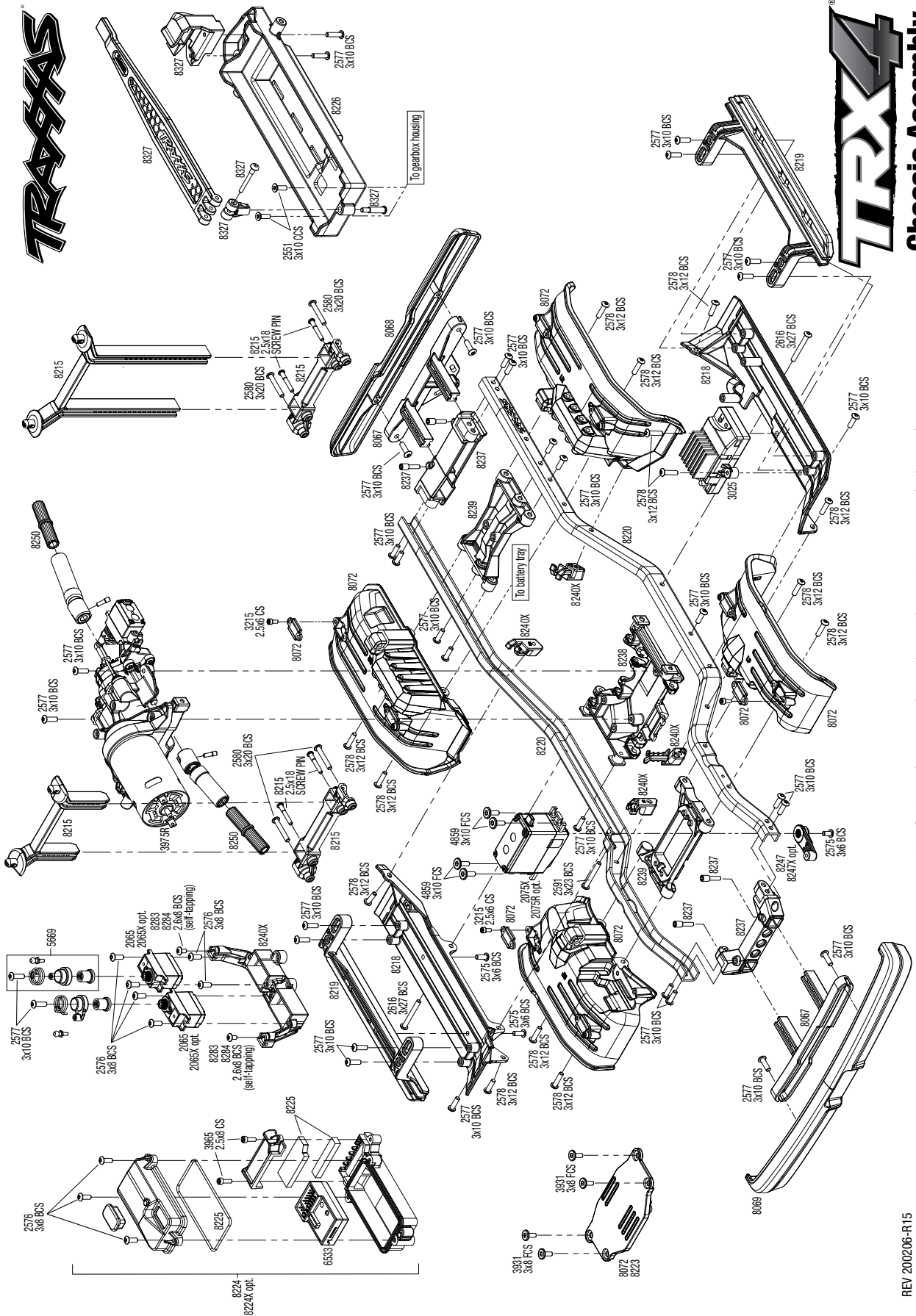
Questions? Call toll-free, 1-888-TRAXXAS

EXPLODED VIEWS

BRONCO (82046-4)

EXPLODED VIEWS

TRAXXAS



TRX4

Chassis Assembly

Specifications on this page are subject to change without notice. Every attempt has been made to ensure the accuracy of this drawing; however, Traxxas cannot be held responsible for typographical or other errors.

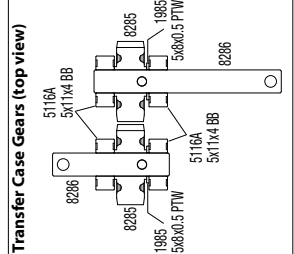
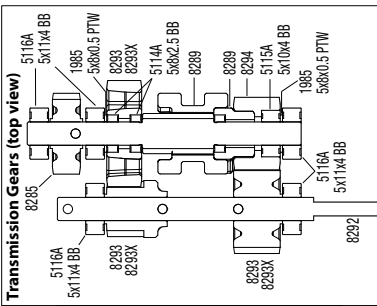
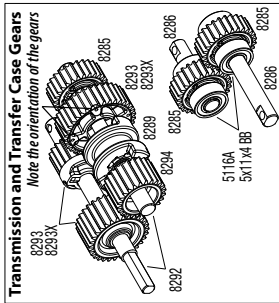
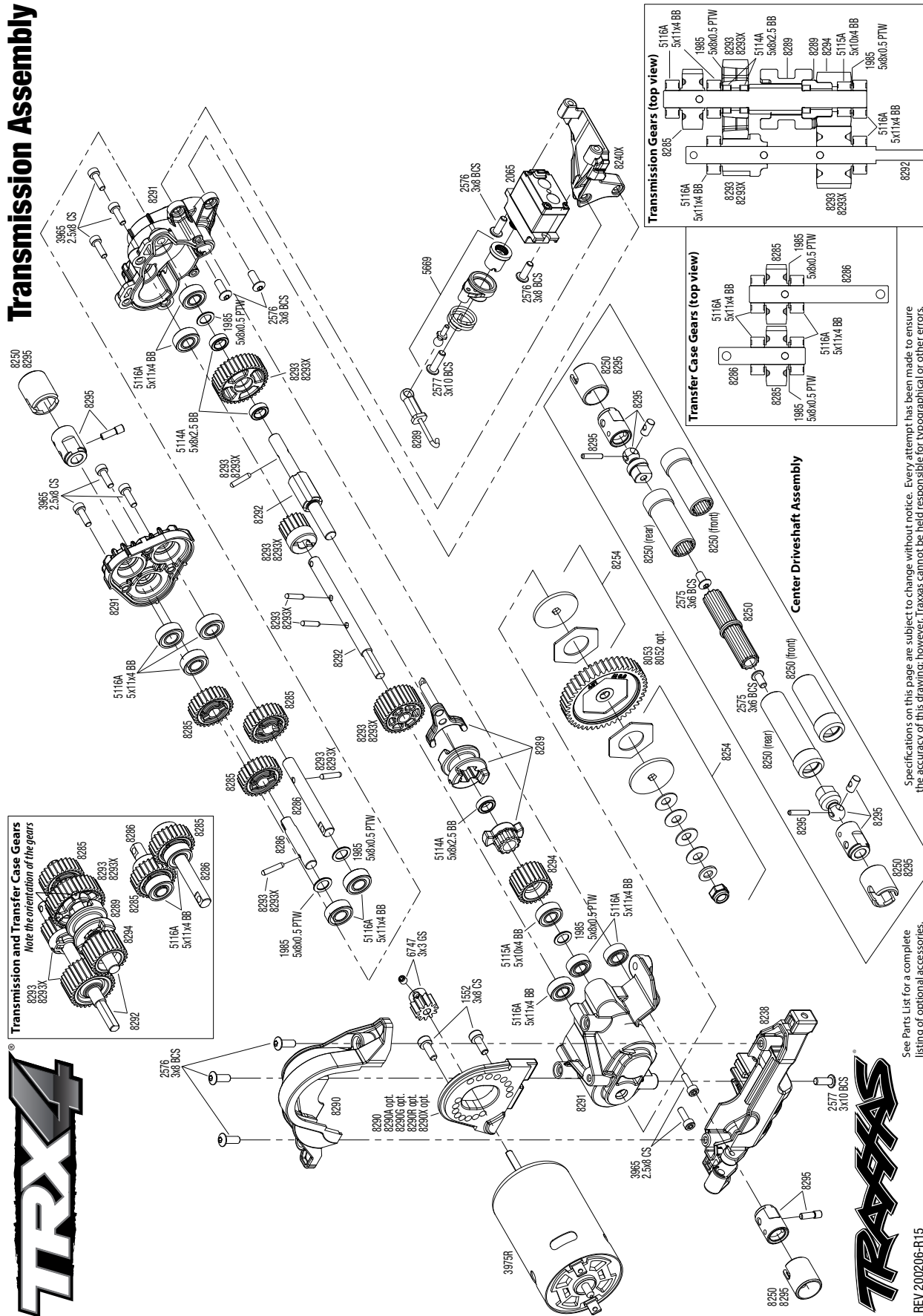
Questions? Call toll-free, 1-888-TRAXXAS

REV 200206-R15
See Parts List for a complete listing of optional accessories.

BRONCO (82046-4)

EXPLODED VIEWS

Transmission Assembly



Specifications on this page are subject to change without notice. Every attempt has been made to ensure the accuracy of this drawing, however, Traxxas cannot be held responsible for typographical or other errors.

Questions? Call toll-free, 1-888-TRAXXAS

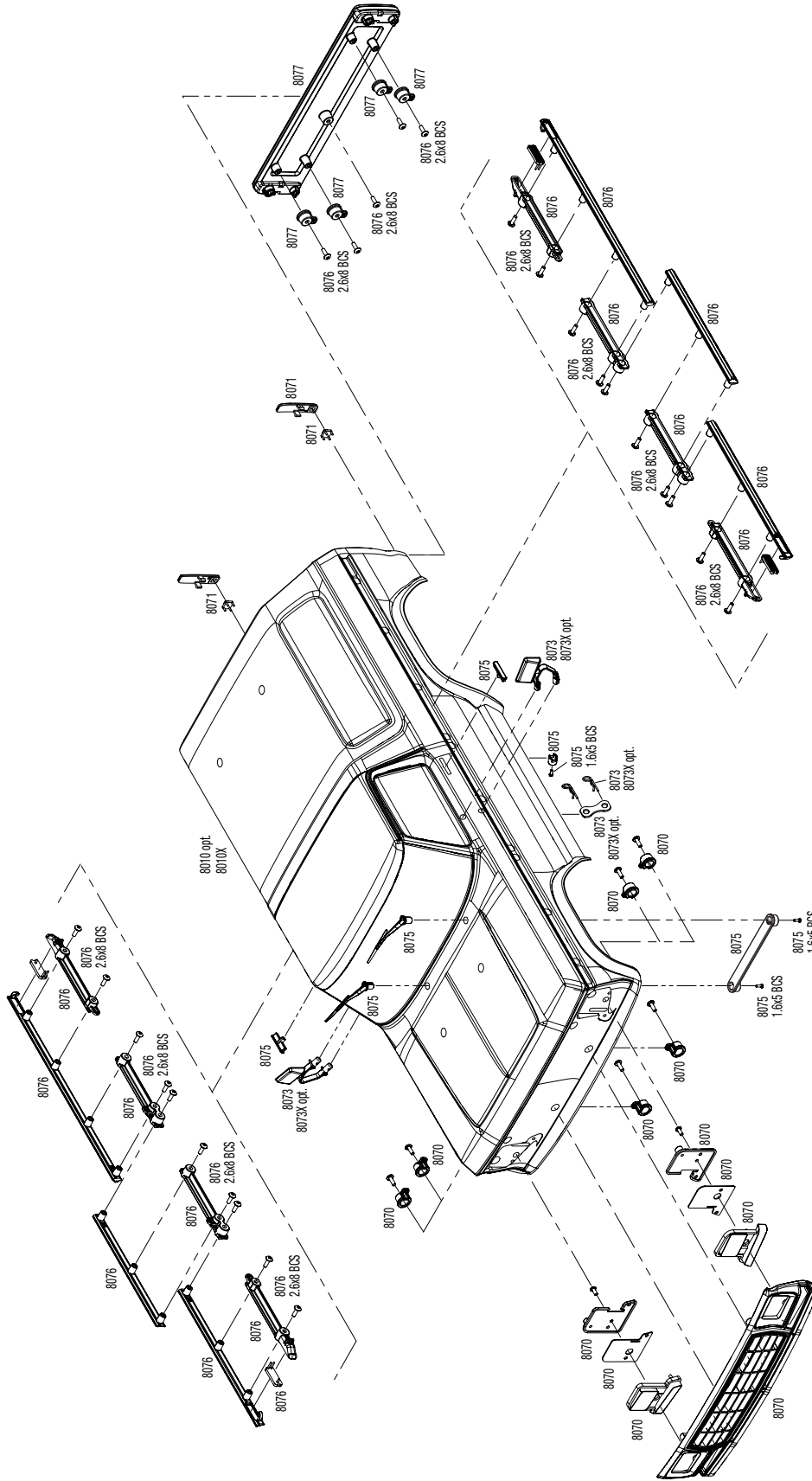


See Parts List for a complete listing of optional accessories.

REV 200206-R15

TRAXXAS

TRX4
Body Assembly



REV 200206-R15
Specifications on this page are subject to change without notice. Every attempt has been made to ensure the accuracy of this drawing; however, Traxxas cannot be held responsible for typographical or other errors.

See Parts List for a complete listing of optional accessories.

Questions? Call toll-free, 1-888-TRAXXAS

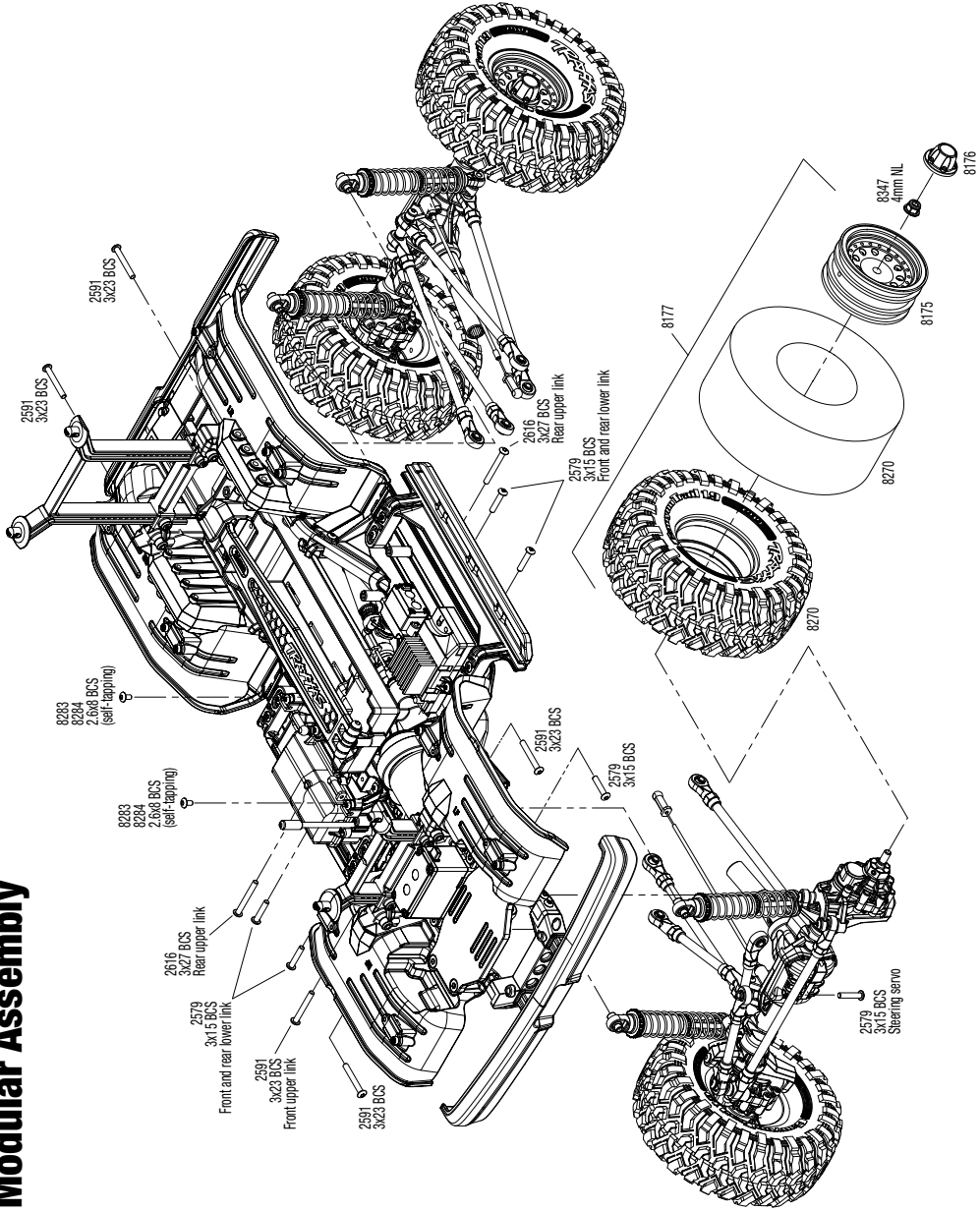
EXPLODED VIEWS

BRONCO (82046-4)

EXPLODED VIEWS



Modular Assembly

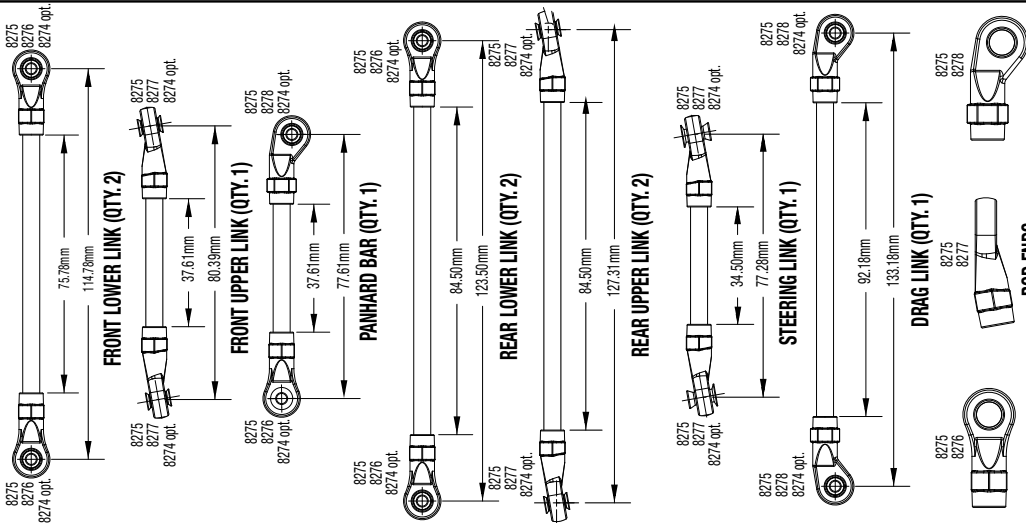


REV 200206-R15
Specifications on this page are subject to change without notice. Every attempt has been made to ensure the accuracy of this drawing; however, Traxxas cannot be held responsible for typographical or other errors.

See Parts List for a complete listing of optional accessories.



Link Dimensions



Questions? Call toll-free, 1-888-TRAXXAS

For standard hollow ball replacement, use part #5349.

PARTS SHOWN IN BOLD ARE OPTIONAL ACCESSORIES.
Part categories and individual part listings are arranged alphabetically.

Axle Components	
8241	Axle housing, front
8242	Axle housing, intermediate (TRX-6™) or rear (TRX-4®)
8227	Axle mount set (complete) (front & rear) (for suspension links)
8228	Axle shaft, front (left)/ drive pin/ cross pin
8229	Axle shaft, front (right)/ drive pin/ cross pin
8060	Axle shaft, front, heavy duty (left & right) (requires #8064 front portal drive input gear)
8062	Axle shaft, front, heavy duty (left & right)/ portal drive input gear (machined) (2) (assembled)
8230	Axle shaft, rear (left)
8231	Axle shaft, rear (right)
8061	Axle shaft, rear, heavy duty (left & right)/ portal drive input gear, rear (machined)
8063	Axle, rear, heavy duty (left & right) (requires #8065 rear portal drive input gear)
8233	Cross pin (2)/ drive pin (2) (to rebuild front axle shafts)
8256	Portal drive axle mount, rear (left & right)
8256X	Portal drive axle mount, rear, 6061-T6 aluminum (blue-anodized) (left and right)/ 2.5x16 CS (4)
8256A	Portal drive axle mount, rear, 6061-T6 aluminum (charcoal gray-anodized) (left and right)/ 2.5x16 CS (4)
8256G	Portal drive axle mount, rear, 6061-T6 aluminum (green-anodized) (left and right)/ 2.5x16 CS (4)
8256R	Portal drive axle mount, rear, 6061-T6 aluminum (red-anodized) (left and right)/ 2.5x16 CS (4)
8252	Portal drive housing, inner, front (left & right)/ 2.5x4 BCS (6)
8253	Portal drive housing, inner, rear (left or right) (2)
8251	Portal drive housing, outer (front or rear) (2)
8064	Portal drive input gear, front (machined) (left or right) (requires #8060 front axle shaft)
8257	Portal drive input gear, front/ drive pin/ cross pin
8259	Portal drive input gear, rear
8065	Portal drive input gear, rear (machined) (left or right) (requires #8063 rear axle)
8258	Portal drive output gear, front or rear
8252X	Portal housings, inner (front), 6061-T6 aluminum (blue-anodized) (2)/ 3x12 BCS (2)
8252A	Portal housings, inner (front), 6061-T6 aluminum (charcoal gray-anodized) (2)/ 3x12 BCS (2)
8252G	Portal housings, inner (front), 6061-T6 aluminum (green-anodized) (2)/ 3x12 BCS (2)
8252R	Portal housings, inner (front), 6061-T6 aluminum (red-anodized) (2)/ 3x12 BCS (2)
8253X	Portal housings, inner (rear), 6061-T6 aluminum (blue-anodized) (2)/ 2.5x10 CS (2)
8253A	Portal housings, inner (rear), 6061-T6 aluminum (charcoal gray-anodized) (2)/ 2.5x10 CS (2)
8253G	Portal housings, inner (rear), 6061-T6 aluminum (green-anodized) (2)/ 2.5x10 CS (2)
8253R	Portal housings, inner (rear), 6061-T6 aluminum (red-anodized) (2)/ 2.5x10 CS (2)
8251X	Portal housings, outer, 6061-T6 aluminum (blue-anodized) (2)/ 2.5x10 CS (12)
8251A	Portal housings, outer, 6061-T6 aluminum (charcoal gray-anodized) (2)/ 2.5x10 CS (12)
8251G	Portal housings, outer, 6061-T6 aluminum (green-anodized) (2)/ 2.5x10 CS (12)
8251R	Portal housings, outer, 6061-T6 aluminum (red-anodized) (2)/ 2.5x10 CS (12)
8255	Stub axle (portal drive) (2)
8255A	Stub axle, extended (portal drive) (2)
8267	Weight, portal housing, brass (34 grams) (2)/ 2.5x8 CS (6) (requires #8251X, 8251R, 8251A, or 8251G outer portal housing)

Bearings & Bushings

5119A	Ball bearings, black rubber sealed (10x15x4mm) (2)
5120A	Ball bearings, black rubber sealed (12x18x4mm) (2)
5104A	Ball bearings, black rubber sealed (4x10x4mm) (2)
5115A	Ball bearings, black rubber sealed (5x10x4mm) (2)
5116A	Ball bearings, black rubber sealed (5x11x4mm) (2)
5114A	Ball bearings, black rubber sealed (5x8x2.5mm) (2)
5117A	Ball bearings, black rubber sealed (6x12x4mm) (2)
5180A	Ball bearings, black rubber sealed (6x13x5mm) (2)
5103A	Ball bearings, black rubber sealed (7x14x5mm) (2)

Body (1969 Chevrolet Blazer)	
9112	Body, Chevrolet Blazer (1969 - 1970) (clear, requires painting) (includes grille, side mirrors, door handles, windshield wipers, decals, window masks)
9112X	Body, Chevrolet Blazer (1969), complete (black) (includes grill, side mirrors, door handles, windshield wipers, front & rear bumpers, decals)
9125	Bumper pads/ bumper guards (chrome)/ 2.5x10 BCS (4)/ 2.7mm drill bit (fits #9126 or #9127 front bumpers)
9127	Bumper, front (chrome)/ bumper mount/ 3x10 BCS (2)
9124	Bumper, rear (chrome)/ bumper mount/ 3x10 BCS (2)
9113	Decal sheets, Chevrolet Blazer (1969 -1972)
9115	Door handles, left, right, and rear/ retainers (3)/ windshield wipers, left & right/ retainer (1)/ fuel cap/ fuel flange/ fuel cap mount/ 1.6x5 BCS (self-tapping) (7)/ 2.6x8 BCS (1)
9123	Grille, Chevrolet Blazer (1969 - 1970)/ grille retainers (5)/ headlight housing (2)/ headlight lens (2)/ turn signal lens (2)/ hood emblem/ hood emblem mount/ 2.6x8 BCS (5)/ 2.5x6 BCS (4)/ 1.6x5 BCS (self-tapping) (2) (fits #9112 body)
9116	Marker light housing (4)/ marker light mount (4)/ marker light lens (red (2), amber (2))/ reverse lens (left & right)/ 1.6x5 BCS (self-tapping) (8)
9121	Mirrors, side, chrome (left & right)/ o-rings (4)/ body clips (4) (fits #9112 body)
9122	Tail light housing, black (2)/ lens (2)/ retainers (left & right)/ 2.6x8 BCS (self-tapping) (4)

Body (1972 Chevrolet Blazer)

9111	Body, Chevrolet Blazer (1972) (clear, requires painting) (includes grille, side mirrors, side trim, door handles, windshield wipers, decals, window masks)
9111X	Body, Chevrolet Blazer (1972), complete (blue) (includes grille, side mirrors, door handles, windshield wipers, front & rear bumpers, decals)
9125	Bumper pads/ bumper guards (chrome) 2.5x10 BCS (4)/ 2.7mm drill bit (fits #9126 or #9127 front bumpers)
9126	Bumper, front (chrome)/ bumper mount/ lens (left and right) (2)/ lens mount (left and right) (2)/ 3x10 BCS (2)/ 2.6x6 BCS (4)
9124	Bumper, rear (chrome)/ bumper mount/ 3x10 BCS (2)
9113	Decal sheets, Chevrolet Blazer (1969 -1972)
9115	Door handles, left, right, and rear/ retainers (3)/ windshield wipers, left & right/ retainer (1)/ fuel cap/ fuel flange/ fuel cap mount/ 1.6x5 BCS (self-tapping) (7)/ 2.6x8 BCS (1)
9120	Grille, Chevrolet Blazer (1972) grille retainers (5)/ headlight housing (2)/ lens (2)/ 2.6x8 BCS (5)/ 2.5x6 BCS (4) (fits #9111 body)
9116	Marker light housing (4)/ marker light mount (4)/ marker light lens (red (2), amber (2))/ reverse lens (left & right)/ 1.6x5 BCS (self-tapping) (8)
9118	Mirrors, side, chrome (left & right)/ o-rings (4)/ body clips (4) (fits #9111 body)
9117	Side trim, Chevrolet Blazer (1972), left & right/ rear trim, upper & lower/ retainers, left, right & rear/ 2.6x8 BCS (23)/ 1.6x5 BCS (self-tapping) (5) (fits #9111 body)
9119	Tail light housing, chrome (2)/ lens (2)/ retainers (left & right)/ 2.6x8 BCS (self-tapping) (4)

Body (1979 Chevrolet Blazer)

8130	Body, Chevrolet Blazer (1979) (clear, requires painting)/ window masks
8130G	Body, Chevrolet Blazer (1979) (orange) (requires grille, side mirrors, door handles, windshield wipers, decals)
8130A	Body, Chevrolet Blazer (1979) (red) (requires grille, side mirrors, door handles, windshield wipers, decals)
8130X	Body, Chevrolet Blazer (1979), complete (orange) (includes grille, side mirrors, door handles, windshield wipers, front & rear bumpers, decals)
8130R	Body, Chevrolet Blazer (1979), complete (red) (includes grille, side mirrors, door handles, windshield wipers, front & rear bumpers, decals)
8131	Decal sheet, Chevrolet Blazer (1979)
8132	Door handles, left, right & rear tailgate/ windshield wipers, left & right/ retainers (2)/ 1.6x5 BCS (self-tapping) (7) (fits #8130 body)
8134	Grille, Chevrolet Blazer (1979) grille retainers (4)/ headlight housing (2)/ lens (2)/ 2.6x8 BCS (4)/ 2.5x6 BCS (2) (fits #8130 body)
8133X	Mirrors, side (folding) (fits #8130 body)
8133	Mirrors, side, chrome (left & right)/ o-rings (4)/ body clips (4) (fits #8130 body)

BRONCO

 (82046-4)

- 8135 Tail lights, left & right (assembled)/ tail light retainers, left & right/ side marker lights (assembled) (2)/ side marker retainers (2)/ mounting tape (2)/ 1.6x5 BCS (self-tapping) (4)/ 2.6x8 BCS (2) (fits #8130 body)

Body (1979 Ford Bronco)

- 8010 Body, Ford Bronco (1979) (clear, requires painting)/ decals/ window masks/ tailgate panel insert/ adhesive foam tape (2)
- 8010X Body, Ford Bronco (1979), complete (black) (includes front and rear bumpers, push bar, rear body mount, grille, side mirrors, door handles, windshield wipers, spare tire mount, red and sunset decals) (requires #8072 inner fenders)
- 8078R Decal sheet, Bronco, red (fits #8010 body)
- 8078 Decal sheet, Bronco, sunset (fits #8010 body)
- 8075 Door handles, left & right/ windshield wipers, left & right/ retainers (3)/ 1.6x5 BCS (self-tapping) (4) (fits #8010 body)
- 8070 Grille, Ford Bronco/ grille retainers (6)/ headlight housing (2)/ lens (2)/ 2.6x8 BCS (6)/ 2.5x6 BCS (2) (fits #8010 body)
- 8073 Mirrors, side, black (left & right)/ retainers (2)/ body clips (4) (fits #8010 body)
- 8073X Mirrors, side, chrome (left & right)/ retainers (2)/ body clips (4) (fits #8010 body)
- 8076 Side trim, left & right (chrome)/ retainers/ LED lens/ 2.6x8 BCS (24) (fits #8010 body)
- 8074 Spare tire mount/ mounting bracket/ spare tire cover/ mounting hardware
- 8077 Tailgate panel insert (clear, requires painting)/ adhesive foam tape (2) (fits #8010 body)
- 8071 Tailgate panel/ tail light lens (2) (left & right) (fits #8010 body)

Body (Land Rover Defender)

- 8011 Body, Land Rover® Defender® (clear, trimmed, requires painting)/ window masks/ decal sheet
- 8011A Body, Land Rover® Defender®, adventure orange (complete with ExoCage, inner fenders, fuel canisters, and jack)
- 8011X Body, Land Rover® Defender®, graphite silver (painted)/ decals
- 8011R Body, Land Rover® Defender®, red (painted)/ decals
- 8012 Decals, Land Rover® Defender®
- 8016 ExoCage (complete with assembly hardware; #8015 roof basket sold separately) (fits #8011 body)
- 8019 Fender brace, inner, front & rear
- 8017 Fender flares, front & rear (2 each) (fits #8011 or #8211 body)
- 8018 Fenders, inner, front & rear (2 each)/ rock light covers (8)
- 8013 Grille, Land Rover® Defender®/ grille mount (3)/ headlight housing (2)/ lens (2)/ headlight mount (2) (fits #8011 body)
- 8020 Mirrors, side (left & right)/ snorkel/ mounting hardware (fits #8011 body)
- 8015 Roof basket (requires #8016 ExoCage) (fits #8011 body)
- 8021 Spare tire mount/ mounting bracket/ screw pins (2)
- 8014 Tail light housing (2)/ lens (2)/ decals (left & right) (fits #8011 body)

Body (Mercedes-Benz® G 500®)

- 8811 Body, Mercedes-Benz® G 500® 4x4² (clear, requires painting)/ decals/ window masks (includes rear body post, grille, side mirrors, door handles, & windshield wipers)
- 8812 Decals, Mercedes-Benz® G 500® 4x4²
- 8813X Grille, Mercedes-Benz® G 500® 4x4²/ grille mount/ grille insert/ headlight lens (2)/ headlight reflector (2)/ reflector lens (2)/ bumperette front (2)/ bumperette mount (2)/ turn signal housing (2)/ turn signal housing retainer (2)/ turn signal lens
- 8817 Mirrors, side, black (left & right)/ o-rings (4)/ windshield wipers, left, right, & rear/ wiper retainers (2)/ body clips (4)/ 1.6x5 BCS (self-tapping) (3)
- 8822 Roof visor/ visor retainer/ visor lens (2)/ 2.6x6 BCS (3)/ 3x4 GS (4)
- 8816X Side marker light housing (2)/ mount (2)/ lens (2)/ 1.6x7 BCS (self-tapping) (2)
- 8814X Tail light lens (2)/ tail light housing (2)/ tail light housing mount (2)/ reverse lens (2)/ 1.6x5 BCS (4) (left & right)

Body (Tactical Unit)

- 8211X Body, Tactical Unit, night camo (painted)/ decals
- 8019 Fender brace, inner, front & rear
- 8017 Fender flares, front & rear (2 each) (fits #8011 or #8211 body)
- 8018 Fenders, inner, front & rear (2 each)/ rock light covers (8)
- 8020 Mirrors, side (left & right)/ snorkel/ mounting hardware (fits #8011 body)
- 8021 Spare tire mount/ mounting bracket/ screw pins (2)

Body (TRX-4® Sport)

- 8112 Body with camper, TRX-4® Sport (clear, trimmed, requires painting)/ window masks/ decal sheet
- 8111R Body, TRX-4® Sport (clear, trimmed, die-cut for LED light kit, requires painting)/ window masks/ decal sheet

- 8111 Body, TRX-4® Sport (clear, trimmed, requires painting)/ window masks/ decal sheet
- 8113 Decal sheet, TRX-4® Sport
- 8120X Expedition rack, complete (includes traction boards, shovel, axe, jack, fire extinguisher, fuel cans, & mounting hardware) (fits #8111 or #8111R body)
- 8120 Expedition rack/ mounting hardware (fits #8111 or #8111R body)
- 8116 Grille/ grille retainers (2)/ grille mount/ lens (2)/ 2.5x8 BCS (6) (fits #8111 or #8112 body)
- 8119 Mirrors, side (left & right)/ snorkel/ mounting hardware (fits #8111 or #8112 body)
- 8122 Shovel/ axe/ accessory mount/ mounting hardware
- 8118 Spare tire mount/ mounting hardware
- 8117 Tailgate panel/ tailgate retainers (2)/ tailgate mount/ tail light lens (2) (left & right)/ 2.5x8 BCS (4) (fits #8111 or #8112 body)
- 8121X Traction boards, blue/ mounting hardware
- 8121G Traction boards, green/ mounting hardware
- 8121A Traction boards, yellow/ mounting hardware
- 8121 Traction boards/ mounting hardware

Body Accessories

- 1926 Antenna caps, vinyl (2)/ antenna spool
- 1726 Antenna, tube (1)/ vinyl antenna cap (1)/ wire retainer (1)
- 1834 Body clips (12) (standard size)
- 1834A Body clips, black (12) (standard size)
- 3934 Body clips, heavy duty (12)
- 3934A Body clips, heavy duty (black) (12)
- 8215 Body mounts & posts, front & rear (complete set)
- 8115 Body posts, front & rear
- 4915 Body washers, foam adhesive (10)
- 2514 Decal sheet, racing sponsors
- 8081 Fender extensions (4)/ 3x8 flat-head screws (24) (requires #8080 narrow inner fenders)
- 8080 Fenders, inner (narrow), front & rear (2 each)/ rock light covers (8)/ battery plate/ 3x8 flat-head screws (4)
- 8072 Fenders, inner, front & rear (2 each)/ rock light covers (8)/ battery plate/ 3x8 flat-head screws (4)
- 9950 Official Team Traxxas® racing decal set (flag logo/ 6-color)

Bumpers & Skidplates

- 8234 Bumper D-Rings, grey (front or rear)/ 2x12 CS (4)
- 8234R Bumper D-rings, red (front or rear)/ 2.0x12 CS (4)
- 8067 Bumper mounts, front & rear
- 8237 Bumper mounts, front & rear/ screw pins (4)
- 8069 Bumper, front (chrome)/ bumper mount/ 3x10 BCS (2)
- 8235 Bumper, front/ winch
- 8236 Bumper, rear
- 8068 Bumper, rear (chrome)/ bumper mount/ 3x10 BCS (2)
- 8066 Push bar, bumper (chrome) (fits #8069 bumper)
- 8238 Skidplate/ lower gear cover

Chassis & Attachments

- 8223 Battery plate/ battery strap/ 3x8 flat-head screws (4) (requires #8072 inner fenders)
- 8215 Body mounts & posts, front & rear (complete set)
- 8224 Box, receiver (sealed)/ wire cover/ foam pads/ silicone grease/ 3x8 BCS (5)/ 2.5x8 CS (2)
- 8058 Chassis conversion kit, TRX-4® (long to short wheelbase) (includes rear upper & lower suspension links, front & rear inner fenders, short female half shaft, battery tray, 3x8mm FCS (4))
- 8057 Chassis conversion kit, TRX-4® (short to long wheelbase) (includes rear upper & lower suspension links, front & rear shock towers, long female half shaft)
- 8220 Chassis rails, 448mm (steel) (left & right)
- 8072 Fenders, inner, front & rear (2 each)/ rock light covers (8)/ battery plate/ 3x8 flat-head screws (4)
- 8218 Floor pans, left & right
- 8224X Receiver box cover (for use only with #8224 receiver box & #2260 BEC)/ foam pads/ seals/ silicone grease
- 8219 Rock sliders, left & right
- 8225 Seal kit, receiver box (includes o-ring, seals, and silicone grease)
- 8240X Servo mount, 2-speed/ servo mount, T-Lock/ wire clips
- 8239 Servo mount, steering/ chassis crossmember
- 8226 Tray, battery

Differential Components

- 8281 Carrier, differential/ differential slider/ T-Lock fork
- 8280A Differential cover, front or rear (black)
- 8280X Differential cover, front or rear (chrome-plated)
- 8280 Differential cover, front or rear (grey)
- 8280R Differential cover, front or rear (red)
- 8282 Gear set, differential (output gears (2), spider gears (4), spider gear shaft (2))

- 8295 Output drive, transmission or differential (pin retainer (1)/ drive cup (1)/ drive ball (1)/ drive pin (1)/ 3x11 screw pin (1)/ cross pin (black) (1) 3x6 BCS with threadlock (1))
 8279 Ring gear, differential/ pinion gear, differential
 8279R Ring gear, differential/ pinion gear, differential (machined)
 8287 Ring gear, differential/ pinion gear, differential (overdrive, machined)
 8288 Ring gear, differential/ pinion gear, differential (underdrive, machined)
 8297 Spool/ differential housing plug/ e-clip

Driveline Components

- 8250 Half shafts, center (internal splined, front (2) & internal splined, rear (2)/ external splined (2)/ pin retainer (4)) (plastic parts only)
 8255A Stub axle, extended (portal drive) (2)
 8269 Wheel hubs, 12mm hex (2)/ stub axle pins (2) (steel)
 8269X Wheel hubs, 12mm hex, 6061-T6 aluminum (blue-anodized) (4)/ screw pin (4)
 8269A Wheel hubs, 12mm hex, 6061-T6 aluminum (charcoal gray-anodized) (4)/ screw pin (4)
 8269G Wheel hubs, 12mm hex, 6061-T6 aluminum (green-anodized) (4)/ screw pin (4)
 8269R Wheel hubs, 12mm hex, 6061-T6 aluminum (red-anodized) (4)/ screw pin (4)

Hardware

- 1552 Backplate screws (3x8mm cap-head machine) (6)/ washers (6)/ wrench
 1834 Body clips (12) (standard size)
 1834A Body clips, black (12) (standard size)
 3934 Body clips, heavy duty (12)
 3934A Body clips, heavy duty (black) (12)
 8167X Hardware kit, stainless steel, beadlock rings (contains stainless steel hardware for 4 wheels)
 8298 Hardware kit, stainless steel, TRX-4® (contains all stainless steel hardware used on TRX-4)
 8151 Hardware kit, stainless steel, TRX-4® High Lift Kit (contains all stainless steel hardware used on TRX-4® Long Arm Lift Kit)
 5476X Hex wrenches; 1.5mm, 2mm, 2.5mm, 3mm, 2.5mm ball
 3647 Nuts, 4mm flanged nylon locking (steel, serrated) (8)
 8347 Nuts, 4mm flanged nylon locking, serrated (black) (10)
 1747R Nuts, aluminum, flanged, serrated (4mm) (blue-anodized) (4)
 1747G Nuts, aluminum, flanged, serrated (4mm) (green-anodized) (4)
 1747P Nuts, aluminum, flanged, serrated (4mm) (pink-anodized) (4)
 1985 PTFE-coated washers, 5x8x0.5mm (20) (use with ball bearings)
 8221 Screw pin, 3x10mm (6)
 3229 Screws, 2.5x10mm cap-head machine (hex drive) (6)
 2523 Screws, 2.5x10mm countersunk machine (hex drive) (6)
 3236 Screws, 2.5x12mm cap-head machine (6)
 2618 Screws, 2.5x16mm cap-head machine (6)
 3215 Screws, 2.5x6mm cap-head machine (hex drive) (6)
 2617 Screws, 2.5x8mm button-head machine (hex drive) (6)
 3965 Screws, 2.5x8mm cap-head machine (6)
 2524 Screws, 2.5x8mm countersunk machine (hex drive) (6)
 8299 Screws, 2.6x12mm button-head, self-tapping (hex drive) (6)
 8167 Screws, 2x10mm cap-head, self-tapping (hex drive) (10)
 2564 Screws, 2x8mm cap-head machine (hex drive) (6)
 2577 Screws, 3x10mm button-head machine (hex drive) (6)
 4859 Screws, 3x10mm flat-head machine (hex drive) (4)
 2578 Screws, 3x12mm button-head machine (hex drive) (6)
 2579 Screws, 3x15mm button-head machine (hex drive) (6)
 2591 Screws, 3x23mm button-head machine (hex drive) (6)
 2581 Screws, 3x25mm button-head machine (hex drive) (6)
 2616 Screws, 3x27mm button-head machine (hex drive) (6)
 2582 Screws, 3x30mm button-head machine (hex drive) (6)
 2575 Screws, 3x6mm button-head machine (hex drive) (6)
 3932 Screws, 3x6mm flat-head machine (hex drive) (6)
 2576 Screws, 3x8mm button-head machine (hex drive) (6)
 3931 Screws, 3x8mm flat-head machine (hex drive) (6)
 3933 Screws, 4x16mm button-head machine (hex drive) (6)

LED Light Accessories

- 8031 3-in-1 wire harness, LED light kit
 8089 4-in-2 wire harness, LED light kit
 8028 LED lights, power supply (regulated, 3V, 0.5-amp)/ 3-in-1 wire harness
 8026X LED rock light kit, TRX-4®/TRX-6™ (requires #8028 power supply and #8018, #8072, or #8080 inner fenders)

LED Lights (1979 Chevrolet Blazer)

- 8039 LED light set (contains headlights, tail lights, side marker lights, distribution block (fits #8130 body, requires #8028 power supply)
 8038 LED light set, complete with power supply (contains headlights, tail lights, side marker lights, distribution block, and power supply) (fits #8130 body)

LED Lights (1979 Ford Bronco)

- 8036 LED light set (contains headlights, tail lights, side marker lights, & distribution block) (fits #8010 body, requires #8028 power supply)
 8035 LED light set, complete with power supply (contains headlights, tail lights, side marker lights, & distribution block) (fits #8010 body)
 8037 LED lights, high/low switch (for #8035 or #8036 LED light kits)

LED Lights (Land Rover Defender)

- 8027 LED headlight/tail light kit (fits #8011 body, requires #8028 power supply)
 8025 LED light bar (Rigid®), TRX-4 (requires #8028 power supply)
 8029 LED light bar kit (Rigid®)/power supply, TRX-4®
 8030 LED light set, complete (contains rock light kit, LED light bar (Rigid®), LED headlight/tail light kit, power supply, & 3-in-1 wire harness) (fits #8011 body)

LED Lights (Mercedes-Benz® G 500® 4x4²)

- 8899 LED light set (contains headlights, tail lights, roof lights, and distribution block) (fits #8811 or #8825 body, requires #8028 power supply)
 8898 LED light set, complete with power supply (contains headlights, tail lights, roof lights, & distribution block) (fits #8811 or #8825 body)

LED Lights (TRX-4® Sport)

- 8086 LED expedition rack scene light kit (fits #8111 body, requires #8028 power supply)
 8084 LED headlight/tail light kit (fits #8111 or #8112 body, requires #8028 power supply)
 8088 LED light bar, front bumper (fits #8124 front bumper, requires #8028 power supply)
 8087 LED light bar, roof lights (fits #8111 body, requires #8028 power supply)
 8085 LED light set, complete with power supply (contains headlights, tail lights, & distribution block) (fits #8111 or #8112 body)

Long Arm Lift Kit

- 8162X Body, GTS shock, long (aluminum, blue-anodized) (1) (for use with #8140X TRX-4® Long Arm Lift Kit)
 8162R Body, GTS shock, long (aluminum, red-anodized) (1) (for use with #8140R TRX-4® Long Arm Lift Kit)
 8162 Body, GTS shock, long (silver aluminum) (1) (for use with #8140 TRX-4® Long Arm Lift Kit)
 8148 Cable, T-lock (extra long) (for use with TRX-4® Long Arm Lift Kit)
 8147 Cable, T-lock (medium) (for use with TRX-4® Long Arm Lift Kit)
 8150 Driveshaft extension kit, center (includes internal splined, x-long (2), internal splined, long (1) and internal splined, medium (1)) (for use with TRX-4® Long Arm Lift Kit)
 8140 Long Arm Lift Kit, TRX-4®, complete
 8140X Long Arm Lift Kit, TRX-4®, complete (includes blue powder coated links, blue-anodized shocks)
 8140R Long Arm Lift Kit, TRX-4®, complete (includes red powder coated links, red-anodized shocks)
 8149 Rod ends, extended (standard (4), angled (4))/ hollow balls (8) (for use with TRX-4® Long Arm Lift Kit)
 8141 Servo mount, steering (for use with TRX-4® Long Arm Lift Kit)
 8161 Shock shaft, 3x57mm (GTS) (2) (includes bump stops) (for use with TRX-4® Long Arm Lift Kit)
 8160X Shocks, GTS, aluminum (blue-anodized) (assembled without springs) (4) (for use with #8140X TRX-4® Long Arm Lift Kit)
 8160R Shocks, GTS, aluminum (red-anodized) (assembled without springs) (4) (for use with #8140R TRX-4® Long Arm Lift Kit)
 8160 Shocks, GTS, silver aluminum (assembled without springs) (4) (for use with #8140 TRX-4® Long Arm Lift Kit)
 8153 Springs, shock, long (natural finish) (GTS) (0.29 rate, white stripe) (for use with TRX-4® Long Arm Lift Kit)
 8154 Springs, shock, long (natural finish) (GTS) (0.39 rate, orange stripe) (for use with TRX-4® Long Arm Lift Kit)
 8155 Springs, shock, long (natural finish) (GTS) (0.47 rate) (included with TRX-4® Long Arm Lift Kit)
 8156 Springs, shock, long (natural finish) (GTS) (0.54 rate, green stripe) (for use with TRX-4® Long Arm Lift Kit)

BRONCO (82046-4)

8157	Springs, shock, long (natural finish) (GTS) (0.62 rate, blue stripe) (for use with TRX-4® Long Arm Lift Kit)
8146X	Steering link, 5x117mm (1)/ draglink, 5x60mm (1)/ panhard link, 5x63mm (blue powder coated steel) (assembled with hollow balls) (for use with #8140X TRX-4® Long Arm Lift Kit)
8146R	Steering link, 5x117mm (1)/ draglink, 5x60mm (1)/ panhard link, 5x63mm (red powder coated steel) (assembled with hollow balls) (for use with #8140R TRX-4® Long Arm Lift Kit)
8144X	Suspension link, front upper, 5x68mm (1) (blue powder coated steel) (assembled with hollow balls) (for use with #8140X TRX-4® Long Arm Lift Kit)
8144R	Suspension link, front upper, 5x68mm (1) (red powder coated steel) (assembled with hollow balls) (for use with #8140R TRX-4® Long Arm Lift Kit)
8144	Suspension link, front upper, 5x68mm (1) (steel) (assembled with hollow balls) (for use with #8140 TRX-4® Long Arm Lift Kit)
8143	Suspension links, front lower (2) (5x104mm, steel) (assembled with hollow balls) (for use with #8140 TRX-4® Long Arm Lift Kit)
8143X	Suspension links, front lower, blue (2) (5x104mm, powder coated steel) (assembled with hollow balls) (for use with #8140X TRX-4® Long Arm Lift Kit)
8143R	Suspension links, front lower, red (2) (5x104mm, powder coated steel) (assembled with hollow balls) (for use with #8140R TRX-4® Long Arm Lift Kit)
8145	Suspension links, rear lower (2) (5x115mm, steel) (assembled with hollow balls) (for use with #8140 TRX-4® Long Arm Lift Kit)
8145X	Suspension links, rear lower, blue (2) (5x115mm, powder coated steel) (assembled with hollow balls) (for use with #8140X TRX-4® Long Arm Lift Kit)
8145R	Suspension links, rear lower, red (2) (5x115mm, powder coated steel) (assembled with hollow balls) (for use with #8140R TRX-4® Long Arm Lift Kit)
8142	Suspension links, rear upper (2) (5x115mm, steel) (assembled with hollow balls) (for use with #8140 TRX-4® Long Arm Lift Kit)
8142X	Suspension links, rear upper, blue (2) (5x115mm, powder coated steel) (assembled with hollow balls) (for use with #8140X TRX-4® Long Arm Lift Kit)
8142R	Suspension links, rear upper, red (2) (5x115mm, powder coated steel) (assembled with hollow balls) (for use with #8140R TRX-4® Long Arm Lift Kit)
8172	Tires and wheels, assembled (Method 105 2.2" black chrome beadlock wheels, Canyon Trail 5.3x2.2" tires, foam inserts) (1 left, 1 right)
8181	Tires and wheels, assembled, glued (TRX-4® Sport 2.2" wheels, Canyon Trail 5.3x2.2" tires) (2)
8170	Tires, Canyon Trail 5.3x2.2"/ foam inserts (2)
8171	Wheels, Method 105 2.2" (black chrome, beadlock) (beadlock rings sold separately)
8171A	Wheels, Method 105 2.2" (charcoal gray, beadlock) (beadlock rings sold separately)

Motors & Electronics

1926	Antenna caps, vinyl (2)/ antenna spool
1726	Antenna, tube (1)/ vinyl antenna cap (1)/ wire retainer (1)
2262	BEC, complete (includes receiver box cover and seals)
2064	Gear set (for 2065 waterproof sub-micro servo)
2064X	Gear set, metal (for 2065X waterproof sub-micro servo)
2072X	Gear set, metal (for 2070, 2075 servos)
2252	Gear set, metal (for 2250, 2255 servos)
2072R	Gear set, metal, high speed (for 2070, 2075 servos)
8290X	Motor mount plate, 6061-T6 aluminum (blue-anodized)
8290A	Motor mount plate, 6061-T6 aluminum (charcoal gray-anodized)
8290G	Motor mount plate, 6061-T6 aluminum (green-anodized)
8290R	Motor mount plate, 6061-T6 aluminum (red-anodized)
3975R	Motor, Titan® 550, reverse rotation (21-turns/ 14 volts) (1)
8290	Plate, motor/ upper spur gear cover
2254	Servo case, aluminum (blue-anodized) (middle) (for 2250 servo)
2253	Servo case, aluminum (red-anodized) (middle) (for 2255 servo)
2251	Servo case, plastic (top, middle, bottom) gaskets/ hardware (for 2250, 2255 servos)
2063	Servo case/gaskets (for 2065 waterproof sub-micro servo)
2063X	Servo case/gaskets (for 2065X metal gear, waterproof, sub-micro servo)
5669	Servo horn (with built-in spring and hardware) (for Summit locking differential)
2075R	Servo, digital high-speed, metal gear (ball bearing), waterproof
2250	Servo, digital high-torque 330 coreless, metal gear (ball bearing), waterproof (#2262 external BEC and #8247X metal servo horn recommended for optimal performance)
2255	Servo, digital high-torque 400 brushless, metal gear (ball bearing), waterproof (#2262 external BEC and #8247 metal servo horn recommended for optimal performance)
2075X	Servo, digital high-torque, metal gear (ball bearing), waterproof
2065	Servo, sub-micro, waterproof

2065X	Servo, sub-micro, waterproof, metal gear
3025	XL-5HV 3s Electronic Speed Control, waterproof (low-voltage detection, fwd/rev/brake)
2261	Y-harness, BEC

Radio System, Batteries & Chargers

2849X	4000mAh 11.1v 3-Cell 25C LiPo Battery
2872X	5000mAh 11.1v 3-Cell 25C LiPo Battery
2842X	5000mAh 7.4v 2-Cell 25C LiPo Battery
2843X	5800mAh 7.4v 2-Cell 25C LiPo Battery
2869X	7600mAh 7.4v 2-Cell 25C LiPo Battery
2976	AC to DC converter, 40W
2938X	Adapter, Traxxas® iD® LiPo battery (adapts Traxxas iD batteries to separate balance ports)
1726	Antenna, tube (1)/ vinyl antenna cap (1)/ wire retainer (1)
2943	Battery charge indicators (green (4), blue (4), grey (4))
6548	Battery door, transmitter (replacement for #6516, 6517, 6528, 6529, 6530 transmitters)
8222	Battery strap (for 2200 2-cell and 1400 3-cell LiPo batteries)
2914	Battery, Power Cell AA Alkaline (4)
2923X	Battery, Power Cell, 3000mAh (NiMH, 7-C flat, 8.4V)
2940X	Battery, Series 3 Power Cell, 3300mAh (NiMH, 7-C flat, 8.4V)
2950X	Battery, Series 4 Power Cell, 4200mAh (NiMH, 7-C flat, 8.4V)
2960X	Battery, Series 5 Power Cell, 5000mAh (NiMH, 7-C flat, 8.4V)
2983	Battery/charger completer pack (includes #2969 2-amp NiMH peak detecting AC charger (1), #2923X 3000mAh 8.4V 7-cell NiMH battery (1))
2992	Battery/charger completer pack (includes #2970 iD® charger (1), #2843X 5800mAh 7.4V 2-cell 25C LiPo battery (1))
2994	Battery/charger completer pack (includes #2970 iD® charger (1), #2849X 4000mAh 11.1v 3-Cell 25C LiPo Battery (1))
2991	Battery/charger completer pack (includes #2972 Dual iD® charger (1), #2869X 7600mAh 7.4V 2-cell 25C LiPo battery (2))
2262	BEC, complete (includes receiver box cover and seals)
2975	Charger, DC, 4 amp (6 - 7 cell, 7.2 - 8.4 volt, NiMH)
2972	Charger, EZ-Peak® Dual, 100W, NiMH/LiPo with iD® Auto Battery Identification
2973	Charger, EZ-Peak® Live Dual, 200W, NiMH/LiPo with iD® Auto Battery Identification
2971	Charger, EZ-Peak® Live, 100W, NiMH/LiPo with iD® Auto Battery Identification
2970	Charger, EZ-Peak® Plus, 4 amp, NiMH/LiPo with iD® Auto Battery Identification
6525	Communication link, telemetry expander
6541	Connector, power tap (with cable) (long)/ wire tie
6512	Cover plate, Traxxas Link™ Wireless Module
2978	Fuse, charger, 5A (2) (for #2974, 2975, 2977)
2064	Gear set (for 2065 waterproof sub-micro servo)
2064X	Gear set, metal (for 2065X waterproof sub-micro servo)
2072X	Gear set, metal (for 2070, 2075 servos)
2252	Gear set, metal (for 2250, 2255 servos)
2072R	Gear set, metal, high speed (for 2070, 2075 servos)
2968X	LiPo cell voltage checker/balancer (includes #2938X adapter for Traxxas® iD® batteries)
2968	LiPo cell voltage checker/balancer (requires #2938X adapter for Traxxas® iD® batteries)
6561	Mount, telemetry expander
6535	Mount, temperature sensor (electric motors)/ wire tie/ thermal pad
6533	Receiver, micro, TQi 2.4GHz with telemetry & TSM (5-channel)
6552	Seal kit, expander box (includes o-ring, seals, and silicone grease)
6526	Sensor, auto-detectable, temperature
6527	Sensor, auto-detectable, voltage
6521	Sensor, temperature and voltage (long)
2254	Servo case, aluminum (blue-anodized) (middle) (for 2250 servo)
2253	Servo case, aluminum (red-anodized) (middle) (for 2255 servo)
2251	Servo case, plastic (top, middle, bottom) gaskets/ hardware (for 2250, 2255 servos)
2063	Servo case/gaskets (for 2065 waterproof sub-micro servo)
2063X	Servo case/gaskets (for 2065X metal gear, waterproof, sub-micro servo)
2075R	Servo, digital high-speed, metal gear (ball bearing), waterproof
2250	Servo, digital high-torque 330 coreless, metal gear (ball bearing), waterproof (#2262 external BEC and #8247X metal servo horn recommended for optimal performance)
2255	Servo, digital high-torque 400 brushless, metal gear (ball bearing), waterproof (#2262 external BEC and #8247 metal servo horn recommended for optimal performance)
2075X	Servo, digital high-torque, metal gear (ball bearing), waterproof
2065	Servo, sub-micro, waterproof
2065X	Servo, sub-micro, waterproof, metal gear
6553X	Telemetry expander 2.0 and GPS module 2.0, TQi radio system

6550X	Telemetry expander 2.0, TQi radio system (for use only with #6551X GPS module)
6551X	Telemetry GPS module 2.0, TQi radio system (for use only with #6550X telemetry expander)
6509R	TQi 2.4 GHz High Output radio system, 2-channel, Traxxas Link™ enabled, TSM (2-ch transmitter, 5-ch micro receiver)
6507R	TQi 2.4 GHz High Output radio system, 4-channel with Traxxas Link™ Wireless Module, TSM (4-ch transmitter, 5-ch micro receiver)
6530	Transmitter, TQi Traxxas Link™ enabled, 2.4GHz high output, 4-channel (transmitter only)
6511	Traxxas Link™ Wireless Module
2261	Y-harness, BEC

Ready-To-Race Model

82046-4	TRX-4® Scale and Trail™ Crawler with 1979 Ford Bronco Body: 4WD Electric Truck with TQi Traxxas Link™ Enabled 2.4GHz Radio System
---------	-----------------------------------------------------------------------------------------------------------------------------------

Scale Details

8022T	Fuel canisters (black) (2)/ 3x8 FCS (1)
8022R	Fuel canisters (blue) (2)/ 3x8 FCS (1)
8022	Fuel canisters (red) (2)/ 3x8 FCS (1)
8022X	Fuel canisters (white) (2)/ 3x8 FCS (1)
8022A	Fuel canisters (yellow) (2)/ 3x8 FCS (1)
8023T	Jack (black) (1)/ 2x8 BCS (1)
8023	Jack (red) (1)/ 2x8 BCS (1)

Shocks (GTS)

8266	Body, GTS shock (aluminum, silver-anodized) (1)
8266X	Body, GTS shock (hard-anodized, PTFE-coated aluminum) (1)
8266A	Body, GTS shock, aluminum (blue-anodized) (1)
8266G	Body, GTS shock, aluminum (green-anodized) (1)
8266R	Body, GTS shock, aluminum (red-anodized) (1)
8264	Caps & spring retainers, GTS shocks (upper cap (2)/ hollow balls (4)/ bottom cap (2)/ upper retainer (2)/ lower retainer (2))
8274	Hollow ball set, complete, TRX-4® (aluminum, PTFE-coated)
5475	Multi-tool (plastic)
8261	Piston, damper (red) (4)/ e-clips (8)
8262	Rebuild kit, GTS shocks (x-rings, o-rings, pistons, bushings, e-clips, and rod ends)
8263	Shock shaft, 3x47mm (GTS) (2)
8263T	Shock shaft, 3x47mm (GTS) (titanium nitride-coated) (2)
8260X	Shocks, GTS hard-anodized, PTFE-coated aluminum bodies with TiN shafts (assembled with spring retainers) (2)
8260A	Shocks, GTS, aluminum (blue-anodized) (assembled with spring retainers) (2)
8260G	Shocks, GTS, aluminum (green-anodized) (assembled with spring retainers) (2)
8260R	Shocks, GTS, aluminum (red-anodized) (assembled with spring retainers) (2)
8260	Shocks, GTS, silver aluminum (assembled with spring retainers) (2)
1666	Silicone shock oil (30 wt)

Slipper Clutch Components

8292	Input shaft/ output shaft (transmission)
8286	Output shafts (transfer case), front & rear
8254	Rebuild kit, slipper clutch (steel disc (2)/ friction insert (2)/ 4.0mm NL (1)/ spring washers (4), metal washer (1))
8249	Slipper eliminator plate

Springs

8042	Springs, shock (natural finish) (GTS) (0.22 rate, yellow stripe) (2)
8043	Springs, shock (natural finish) (GTS) (0.30 rate, white stripe) (2)
8044	Springs, shock (natural finish) (GTS) (0.39 rate, orange stripe) (2)
8041	Springs, shock (natural finish) (GTS) (0.45 rate) (2)
8040	Springs, shock (natural finish) (GTS) (0.54 rate, green stripe) (2)
8045	Springs, shock (natural finish) (GTS) (0.61 rate, blue stripe) (2)

Spur Gears & Pinion Gears

6746	Gear, 10-T pinion (32-p) (steel)/ set screw
6747	Gear, 11-T pinion (32-p) (steel)/ set screw
3942X	Gear, 12-T pinion (32-p), heavy duty (machined, hardened steel)/ set screw
3943X	Gear, 13-T pinion (32-p), heavy duty (machined, hardened steel)/ set screw
3944X	Gear, 14-T pinion (32-p), heavy duty (machined, hardened steel)/ set screw
3945X	Gear, 15-T pinion (32-p), heavy duty (machined, hardened steel)/ set screw
3946X	Gear, 16-T pinion (32-p), heavy duty (machined, hardened steel)/ set screw
3947X	Gear, 17-T pinion (32-p), heavy duty (machined, hardened steel)/ set screw

3948X	Gear, 18-T pinion (32-p), heavy duty (machined, hardened steel)/ set screw
3949X	Gear, 19-T pinion (32-p), heavy duty (machined, hardened steel)/ set screw
3950X	Gear, 20-T pinion (32-p), heavy duty (machined, hardened steel)/ set screw
3951X	Gear, 21-T pinion (32-p), heavy duty (machined, hardened steel)/ set screw
3952X	Gear, 22-T pinion (32-p), heavy duty (machined, hardened steel)/ set screw
6745	Gear, 9-T pinion (32-p) (steel)/ set screw
8279	Ring gear, differential/ pinion gear, differential
8052	Spur gear, 39-tooth (32-pitch)
8053	Spur gear, 45-tooth (32-pitch)

Steering Components

8232	Caster blocks (portal drive), left & right/ kingpin bushings (4)
8232X	Caster blocks, 6061-T6 aluminum (blue-anodized), left and right
8232A	Caster blocks, 6061-T6 aluminum (charcoal gray-anodized), left and right
8232G	Caster blocks, 6061-T6 aluminum (green-anodized), left and right
8232R	Caster blocks, 6061-T6 aluminum (red-anodized), left and right
2072X	Gear set, metal (for 2070, 2075 servos)
2072R	Gear set, metal, high speed (for 2070, 2075 servos)
8274	Hollow ball set, complete, TRX-4® (aluminum, PTFE-coated)
5355	Hollow ball, tall centered (2)/ tall offset hollow ball (2)/ bump steer adjustment shims; 3.5mm (2), 1.17mm (2)
8275	Rod end set, complete (standard (10), angled 10-degrees (8), offset (4))
8276	Rod ends (10)
8277	Rod ends, angled 10-degrees (8)
2742	Rod ends, long (6)/ hollow ball connectors (6)
8278	Rod ends, offset (4)
8247	Servo horn, steering
8247X	Servo horn, steering, metal/ 3x14 BCS (1)
2075R	Servo, digital high-speed, metal gear (ball bearing), waterproof
2075X	Servo, digital high-torque, metal gear (ball bearing), waterproof
5529	Shim set, 3x7x1mm (2), 3x6x0.5mm (4), 3x7x2mm (2)/ hollow balls, captured (4)
8246	Steering link, 5x60mm (1)/ draglink, 5x117mm (1) (steel)
8243	Suspension link, front, 5x100mm (lower) (steel) (2)
8244	Suspension link, front, 5x63mm (upper) (steel) (2)
8248	Suspension link, rear, 5x109mm (upper or lower) (steel) (2)
8245	Suspension link, rear, 5x121mm (upper or lower) (steel) (2)

Suspension Linkage

8274	Hollow ball set, complete, TRX-4® (aluminum, PTFE-coated)
5355	Hollow ball, tall centered (2)/ tall offset hollow ball (2)/ bump steer adjustment shims; 3.5mm (2), 1.17mm (2)
8275	Rod end set, complete (standard (10), angled 10-degrees (8), offset (4))
8276	Rod ends (10)
8277	Rod ends, angled 10-degrees (8)
2742	Rod ends, long (6)/ hollow ball connectors (6)
8278	Rod ends, offset (4)
5529	Shim set, 3x7x1mm (2), 3x6x0.5mm (4), 3x7x2mm (2)/ hollow balls, captured (4)
8243	Suspension link, front, 5x100mm (lower) (steel) (2)
8244	Suspension link, front, 5x63mm (upper) (steel) (2)
8248	Suspension link, rear, 5x109mm (upper or lower) (steel) (2)
8245	Suspension link, rear, 5x121mm (upper or lower) (steel) (2)

Team Traxxas Items

2514	Decal sheet, racing sponsors
6160X	DVD, Maxx® Power! Full Throttle Action (sleeve)
9950	Official Team Traxxas® racing decal set (flag logo/ 6-color)
9909	Traxxas® racing banner, red & black (3x7 feet)

Tires & Wheels

8169T	Beadlock rings, black (1.9") (aluminum) (4)/ 2x10 CS (48)
8168T	Beadlock rings, black (2.2") (aluminum) (4)/ 2x10 CS (48)
8169X	Beadlock rings, blue (1.9") (aluminum) (4)/ 2x10 CS (48)
8168X	Beadlock rings, blue (2.2") (aluminum) (4)/ 2x10 CS (48)
8169G	Beadlock rings, green (1.9") (aluminum) (4)/ 2x10 CS (48)
8168G	Beadlock rings, green (2.2") (aluminum) (4)/ 2x10 CS (48)
8169A	Beadlock rings, orange (1.9") (aluminum) (4)/ 2x10 CS (48)
8168A	Beadlock rings, orange (2.2") (aluminum) (4)/ 2x10 CS (48)
8169R	Beadlock rings, red (1.9") (aluminum) (4)/ 2x10 CS (48)
8168R	Beadlock rings, red (2.2") (aluminum) (4)/ 2x10 CS (48)
8169	Beadlock rings, satin (1.9") (aluminum) (4)/ 2x10 CS (48)
8168	Beadlock rings, satin (2.2") (aluminum) (4)/ 2x10 CS (48)
8176	Center caps, wheel (chrome) (4)/ decal sheet (requires #8255A extended stub axle)

BRONCO (82046-4)

- 8174 Tires and wheels, assembled (Method 105 1.9" black chrome beadlock wheels, Canyon Trail 4.6x1.9" tires, foam inserts) (1 left, 1 right)
- 8172 Tires and wheels, assembled (Method 105 2.2" black chrome beadlock wheels, Canyon Trail 5.3x2.2" tires, foam inserts) (1 left, 1 right) (for use with TRX-4 Long Arm Lift Kit)
- 8166X Tires and wheels, assembled, glued (1.9" chrome wheels, Canyon Trail 4.6x1.9" tires) (4)/ center caps (4)/ decal sheet (requires #8255A extended stub axle)
- 8166 Tires and wheels, assembled, glued (1.9" chrome wheels, Canyon Trail 4.6x1.9" tires) (2)/ center caps (2)/ decal sheet (requires #8255A extended stub axle)
- 8177 Tires and wheels, assembled, glued (1.9" chrome wheels, Canyon Trail 4.6x1.9" tires) (2)/ center caps (2)/ decal sheet (requires #8255A extended stub axle)
- 8183X Tires and wheels, assembled, glued (1.9" classic chrome wheels, Canyon Trail 4.6x1.9" tires) (4)/ center caps (4) (requires #8255A extended stub axle)
- 8273 Tires and wheels, assembled, glued (Tactical 1.9" wheels, Canyon Trail 4.6x1.9" tires) (2)
- 8272X Tires and wheels, assembled, glued (TRX-4® 1.9" satin beadlock wheels, Canyon Trail 4.6x1.9" tires) (2)
- 8272 Tires and wheels, assembled, glued (TRX-4® 1.9" wheels, Canyon Trail 4.6x1.9" tires) (2)
- 8181 Tires and wheels, assembled, glued (TRX-4® Sport 2.2" wheels, Canyon Trail 5.3x2.2" tires) (2) (for use with TRX-4 Long Arm Lift Kit)
- 8270 Tires, Canyon Trail 4.6x1.9" (S1 compound)/ foam inserts (2)
- 8170 Tires, Canyon Trail 5.3x2.2"/ foam inserts (2) (for use with TRX-4 Long-Arm Lift Kit)
- 8269 Wheel hubs, 12mm hex (2)/ stub axle pins (2) (steel)
- 8269X Wheel hubs, 12mm hex, 6061-T6 aluminum (blue-anodized) (4)/ screw pin (4)
- 8269A Wheel hubs, 12mm hex, 6061-T6 aluminum (charcoal gray-anodized) (4)/ screw pin (4)
- 8269G Wheel hubs, 12mm hex, 6061-T6 aluminum (green-anodized) (4)/ screw pin (4)
- 8269R Wheel hubs, 12mm hex, 6061-T6 aluminum (red-anodized) (4)/ screw pin (4)
- 8175 Wheels, 1.9", chrome (2)/ center caps (2)/ decal sheet (requires #8255A extended stub axle)
- 8173 Wheels, Method 105 1.9" (black chrome, beadlock) (beadlock rings sold separately)
- 8173A Wheels, Method 105 1.9" (charcoal gray, beadlock) (beadlock rings sold separately)
- 8171 Wheels, Method 105 2.2" (black chrome, beadlock) (beadlock rings sold separately) (for use with TRX-4 Long Arm Lift Kit)
- 8171A Wheels, Method 105 2.2" (charcoal gray, beadlock) (beadlock rings sold separately) (for use with TRX-4 Long Arm Lift Kit)
- 8268 Wheels, Tactical 1.9 (2)
- 8271 Wheels, TRX-4® 1.9 (2)
- 8271X Wheels, TRX-4® 1.9 (satin beadlock) (2)

Transmission Components

- 8283 Cable, T-lock (front)
- 8284 Cable, T-lock (rear)
- 8289 Drive hub, 2-speed/ shift dog/ shift fork/ 2-speed linkage
- 8293X Gear set, transmission, metal (includes 18T, 30T input gears, 36T output gear, 2x9.8 pins (5))
- 8291 Gearbox housing (includes main housing, front housing, & cover)
- 8285 Gears, transfer case (3)
- 5041 Grease, premium high performance (20cc)
- 8292 Input shaft/ output shaft (transmission)
- 8290X Motor mount plate, 6061-T6 aluminum (blue-anodized)
- 8290A Motor mount plate, 6061-T6 aluminum (charcoal gray-anodized)
- 8290G Motor mount plate, 6061-T6 aluminum (green-anodized)
- 8290R Motor mount plate, 6061-T6 aluminum (red-anodized)
- 8295 Output drive, transmission or differential (pin retainer (1)/ drive cup (1)/ drive ball (1)/ drive pin (1)/ 3x11 screw pin (1)/ cross pin (black) (1) 3x6 BCS with threadlock (1))
- 8294 Output gear, high range, 24T (metal)
- 8286 Output shafts (transfer case), front & rear
- 8290 Plate, motor/ upper spur gear cover
- 8249 Slipper eliminator plate
- 8296 Transmission gears, single speed, metal

Traxxas Tools

- 3433X Body reamer (aluminum handle)
- 3433 Body reamer (plastic handle)
- 3436 Cap, body reamer
- 3432 Scissors, curved tip
- 3431 Scissors, straight tip

- 8712 Speed Bit Essentials Set, hex and nut driver, 7-piece, includes premium handle (medium), travel pouch, hex drivers (straight: 1.5mm, 2.0mm, 2.5mm) and nut drivers (5.0mm, 5.5mm, 7.0mm, and 8.0mm), 1/4" drive
- 8721 Speed bit handle, medium (one piece)
- 8720 Speed bit handle, premium, large (rubber overmold)
- 8722 Speed bit handle, premium, medium (rubber overmold)
- 8710 Speed Bit Master Set, hex and nut driver, 13-piece, includes premium handle (medium), travel pouch, hex drivers (straight: 1.5mm, 2.0mm, 2.5mm, 3.0mm), (ball-end: 2.0mm, 2.5mm, 3.0mm), and nut drivers (4.00mm, 4.50mm, 5.00mm, 5.50mm, 7.00mm, 8.00mm),
- 8711 Speed Bit Master Set, hex driver, 7-piece straight and ball end, includes premium handle (medium), travel pouch, hex drivers (straight: 1.5mm, 2.0mm, 2.5mm, 3.0mm) (ball end: 2.0mm, 2.5mm, 3.0mm), 1/4" drive
- 8719 Speed Bit Master Set, nut driver, 6-piece, includes premium handle (medium), travel pouch, and nut drivers (4.0mm, 4.5mm, 5.0mm, 5.5mm, 7.0mm, 8.0mm), 1/4" drive
- 8716 Speed Bit Set, hex driver, 2-piece ball-end (2.0mm, 2.5mm), 1/4" drive
- 8716X Speed Bit Set, hex driver, 3-piece ball-end (2.0mm, 2.5mm, 3.0mm), 1/4" drive
- 8715 Speed Bit Set, hex driver, 3-piece straight (1.5mm, 2.0mm, 2.5mm), 1/4" drive
- 8715X Speed Bit Set, hex driver, 4-piece straight (1.5mm, 2.0mm, 2.5mm, 3.0mm), 1/4" drive
- 3415 Tool set with pouch (includes 1.5mm, 2.0mm, 2.5mm, 3.0mm, 3.5mm, 4mm drivers/ 4mm, 5mm, 5.5mm, 7mm and 8mm nut drivers/ 2mm, 4mm, and 5mm slotted screwdrivers/ #00 Phillips, #0 Phillips, and #1 Phillips screwdrivers/ 4mm and 8mm wrench/ driver handle

TRX-4® Traxx™

- 8889 Bearing retainers, inner (2), outer (2)
- 8890 Drive wheel (1)
- 8885 Shock mounts (frame, left (2), frame, right (2))/ portal mounts (1 each, front (left & right), rear (left & right))
- 8888 Spring (4)
- 8887 Stub axle (1)
- 8886 Stub axle nut (4)
- 8891 Tension wheels (6)/ road wheels (4)
- 8881 Traxx™, front, left (assembled) (requires #8886 stub axle, #7061 GTR shock, & #8878 or #8895 rubber track)
- 8882 Traxx™, front, right (assembled) (requires #8886 stub axle, #7061 GTR shock, & #8878 or #8895 rubber track)
- 8883 Traxx™, rear, left (assembled) (requires #8886 stub axle, #7061 GTR shock, & #8879 or #8896 rubber track)
- 8884 Traxx™, rear, right (assembled) (requires #8886 stub axle, #7061 GTR shock, & #8879 or #8896 rubber track)
- 8880 Traxx™, TRX-4® (4) (complete set, front & rear)
- 8895 Treads, All-Terrain, TRX-4® Traxx™ (front, left or right) (rubber) (1)
- 8896 Treads, All-Terrain, TRX-4® Traxx™ (rear, left or right) (rubber) (1)

If you have questions or need technical assistance, call Traxxas at:

1-888-TRAXXAS

(1-888-872-9927) (U.S. residents only)

For orders, calls outside the U.S., and other information, call 972-549-3000, or fax to 972-549-3011 e-mail Traxxas at support@Traxxas.com

TRAXXAS.COM

SCALE AND TRAIL CRAWLER



MODEL 82076-4

4WD ELECTRIC
SCALE & TRAIL™ CRAWLER



TQi 2.4GHz TRANSMITTER



TITAN 21T 550 MOTOR AND
XL-5 HV ELECTRONIC
SPEED CONTROL



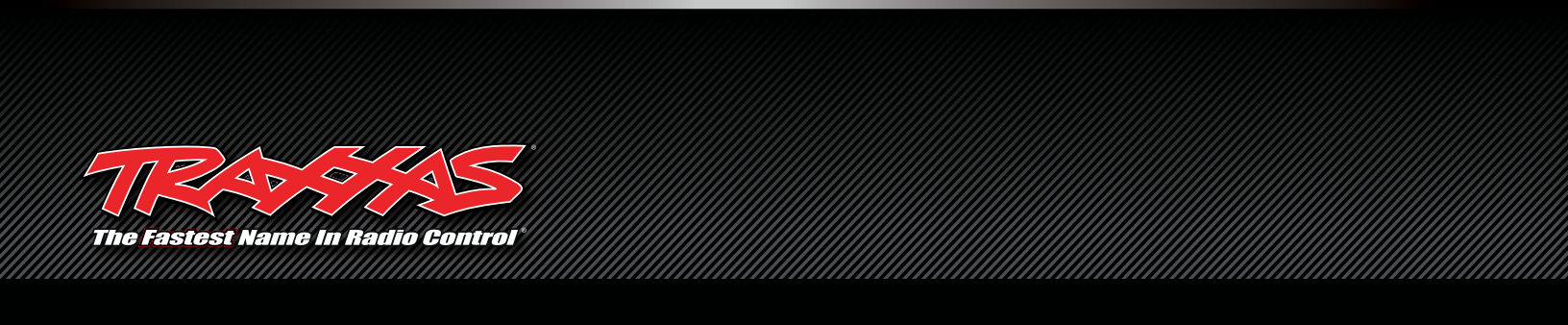
GTS ALUMINUM SHOCKS

TAKE THE PATH LESS TRAVELED

The Traxxas TRX-4™ Scale and Trail™ crawler is an all-new Traxxas design that is loaded with innovation that instantly obsoletes the status quo with exciting new features, versatility, and capability. In other words, we built it the Traxxas way, rugged, powerful, and ready for fun! Underneath the authentic scale look is a machine built for extreme off-road capability that takes you to new places and new adventures. Exclusive portal axles deliver maximum ground clearance that dramatically turns "no way" into "no problem." Whether you are enjoying outdoor trails or getting technical on the rocks, the remote-locking front and rear differentials and high/low range transmission provide unmatched driving versatility.

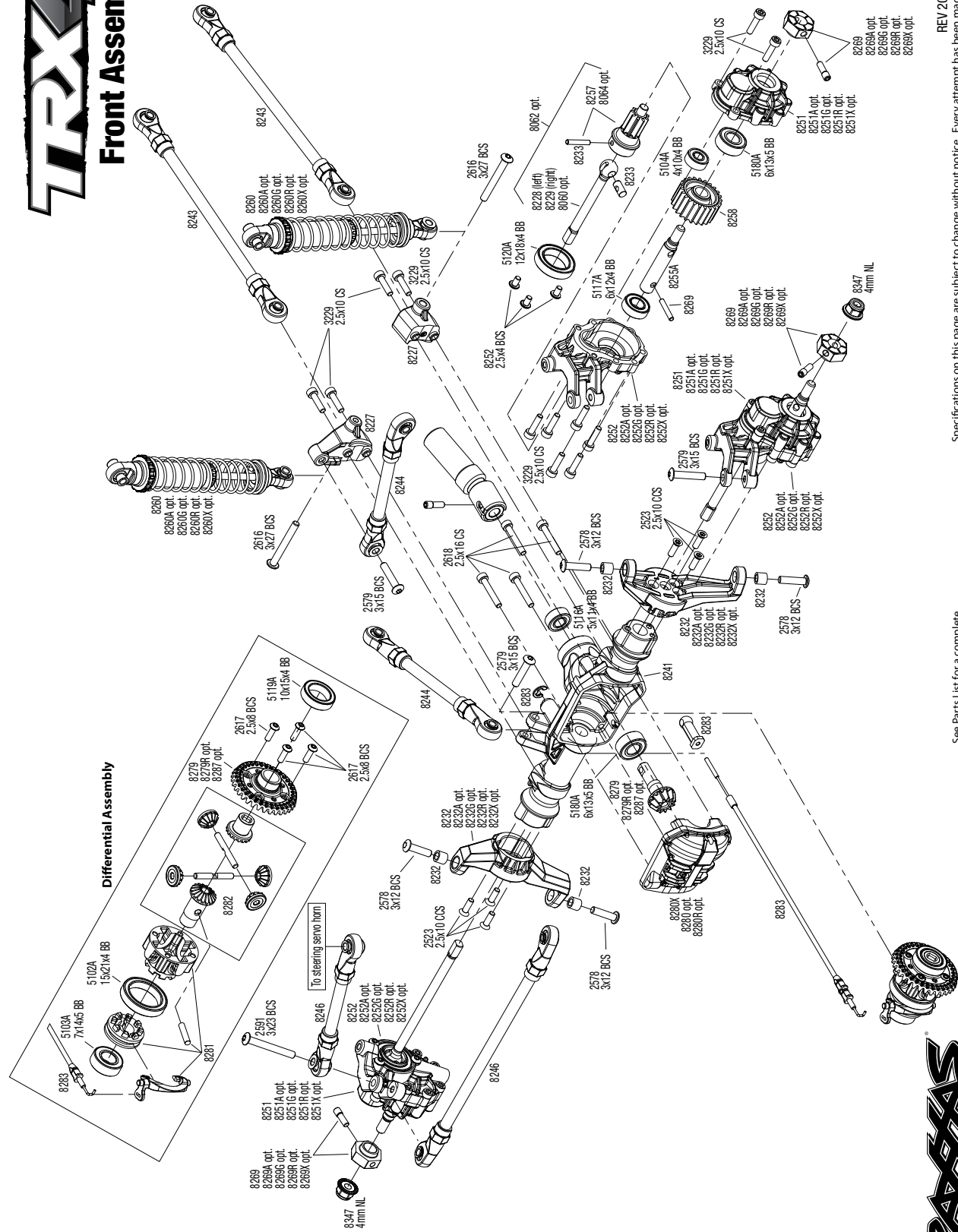


OFFICIAL
LICENSED PRODUCT
GM used under license to Traxxas.



TRX4

Front Assembly



REV 200206-R05
Specifications on this page are subject to change without notice. Every attempt has been made to ensure the accuracy of this drawing; however, Traxxas cannot be held responsible for typographical or other errors.

See Parts List for a complete listing of optional accessories.

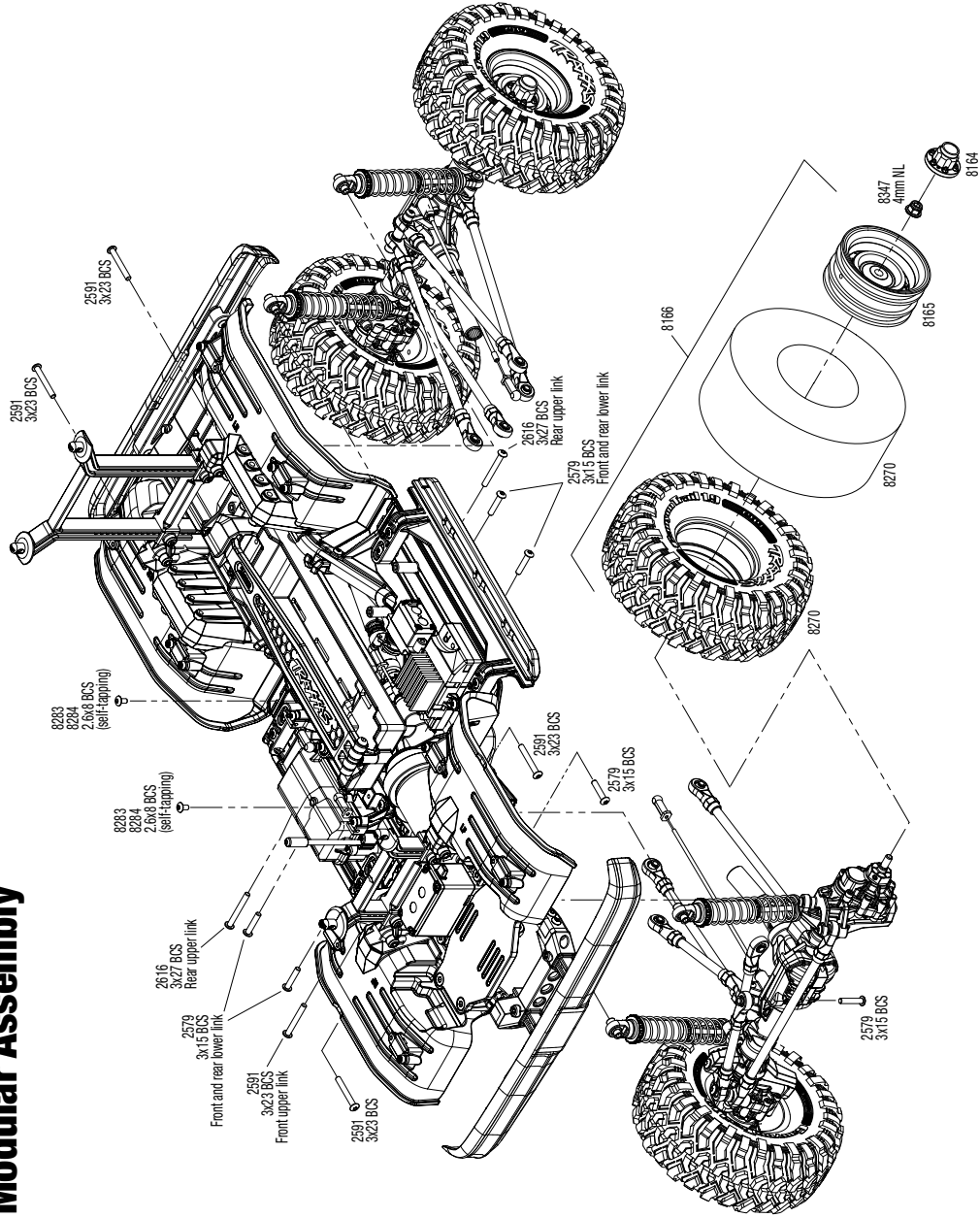


Questions? Call toll-free, 1-888-TRAXXAS

EXPLODED VIEWS



Modular Assembly

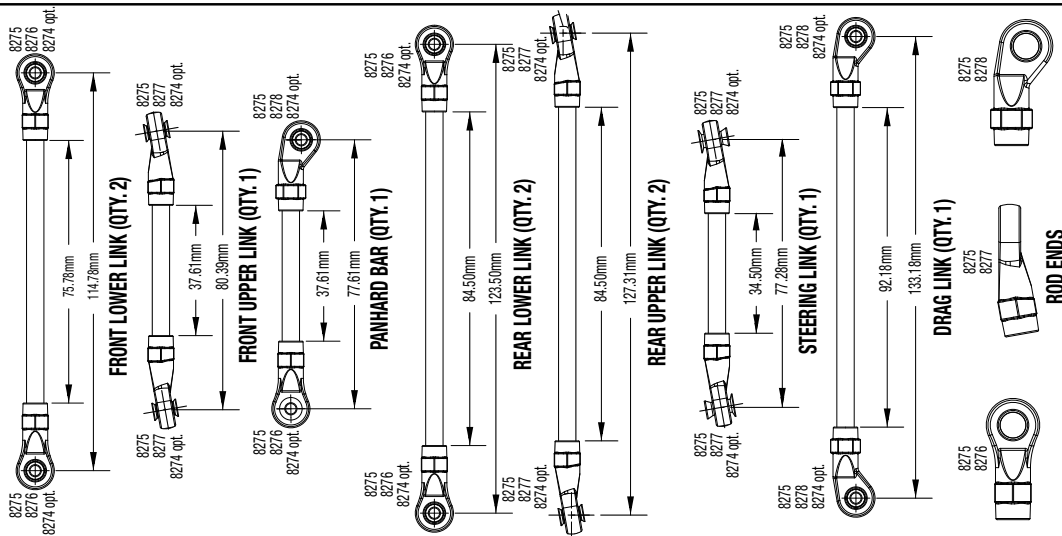


REV 200206-R05
 Specifications on this page are subject to change without notice. Every attempt has been made to ensure the accuracy of this drawing; however, Traxxas cannot be held responsible for typographical or other errors.

See Parts List for a complete listing of optional accessories.



Link Dimensions



For standard hollow ball replacement, use part #5349.

Questions? Call toll-free, 1-888-TRAXXAS

EXPLODED VIEWS

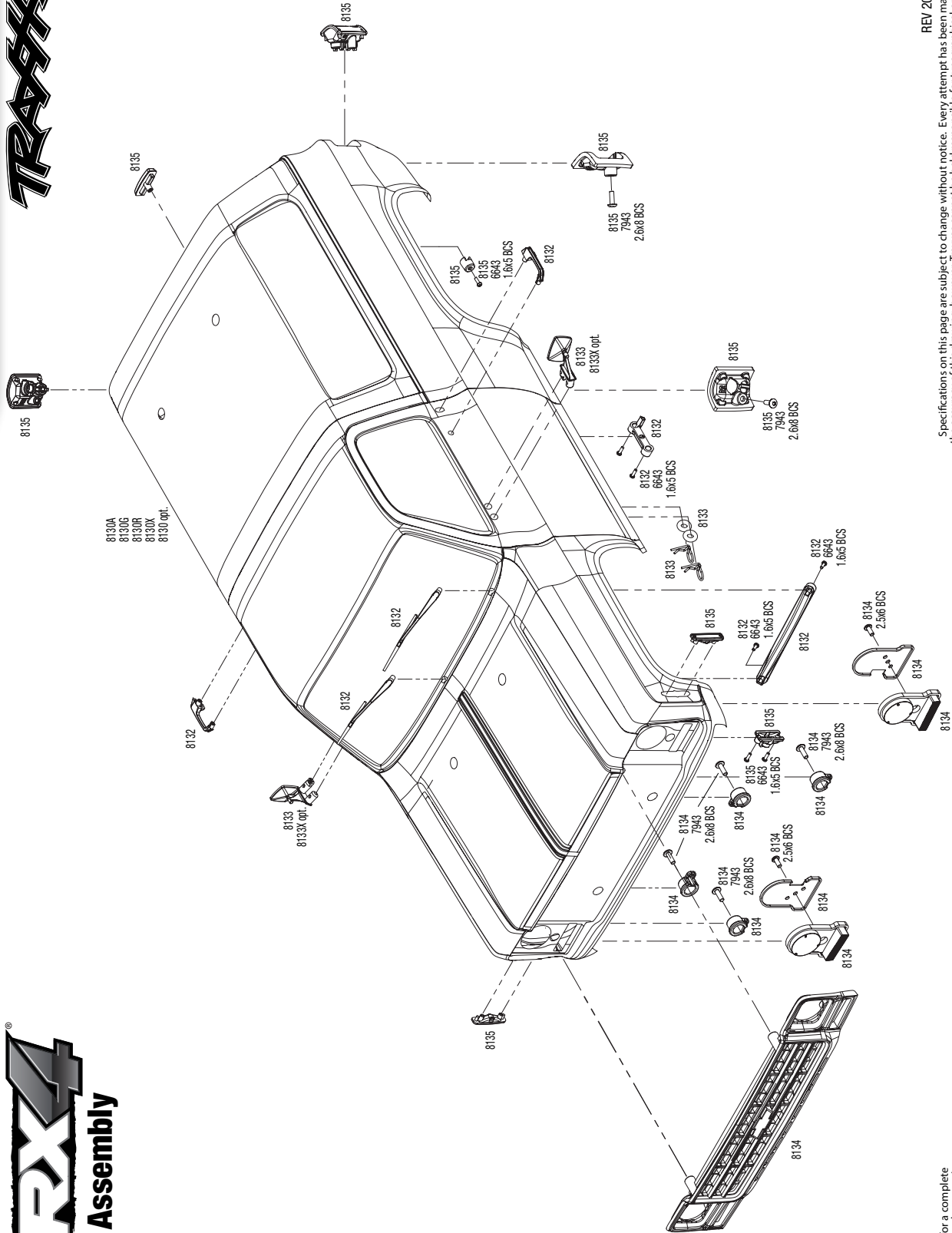
BLAZER (82076-4)

EXPLODED VIEWS

TRAXXAS

TRX4 Body Assembly

Questions? Call toll-free, 1-888-TRAXXAS



REV 200206-R05
Specifications on this page are subject to change without notice. Every attempt has been made to ensure the accuracy of this drawing; however, Traxxas cannot be held responsible for typographical or other errors.

See Parts List for a complete listing of optional accessories.

PARTS SHOWN IN BOLD ARE OPTIONAL ACCESSORIES.
Part categories and individual part listings are arranged alphabetically.

Axle Components

8241	Axle housing, front
8242	Axle housing, intermediate (TRX-6™) or rear (TRX-4®)
8227	Axle mount set (complete) (front & rear) (for suspension links)
8228	Axle shaft, front (left)/ drive pin/ cross pin
8229	Axle shaft, front (right)/ drive pin/ cross pin
8060	Axle shaft, front, heavy duty (left & right) (requires #8064 front portal drive input gear)
8062	Axle shaft, front, heavy duty (left & right)/ portal drive input gear (machined) (2) (assembled)
8230	Axle shaft, rear (left)
8231	Axle shaft, rear (right)
8061	Axle shaft, rear, heavy duty (left & right)/ portal drive input gear, rear (machined)
8063	Axle, rear, heavy duty (left & right) (requires #8065 rear portal drive input gear)
8233	Cross pin (2)/ drive pin (2) (to rebuild front axle shafts)
8256	Portal drive axle mount, rear (left & right)
8256X	Portal drive axle mount, rear, 6061-T6 aluminum (blue-anodized) (left and right)/ 2.5x16 CS (4)
8256A	Portal drive axle mount, rear, 6061-T6 aluminum (charcoal gray-anodized) (left and right)/ 2.5x16 CS (4)
8256G	Portal drive axle mount, rear, 6061-T6 aluminum (green-anodized) (left and right)/ 2.5x16 CS (4)
8256R	Portal drive axle mount, rear, 6061-T6 aluminum (red-anodized) (left and right)/ 2.5x16 CS (4)
8252	Portal drive housing, inner, front (left & right)/ 2.5x4 BCS (6)
8253	Portal drive housing, inner, rear (left or right) (2)
8251	Portal drive housing, outer (front or rear) (2)
8064	Portal drive input gear, front (machined) (left or right) (requires #8060 front axle shaft)
8257	Portal drive input gear, front/ drive pin/ cross pin
8259	Portal drive input gear, rear
8065	Portal drive input gear, rear (machined) (left or right) (requires #8063 rear axle)
8258	Portal drive output gear, front or rear
8252X	Portal housings, inner (front), 6061-T6 aluminum (blue-anodized) (2)/ 3x12 BCS (2)
8252A	Portal housings, inner (front), 6061-T6 aluminum (charcoal gray-anodized) (2)/ 3x12 BCS (2)
8252G	Portal housings, inner (front), 6061-T6 aluminum (green-anodized) (2)/ 3x12 BCS (2)
8252R	Portal housings, inner (front), 6061-T6 aluminum (red-anodized) (2)/ 3x12 BCS (2)
8253X	Portal housings, inner (rear), 6061-T6 aluminum (blue-anodized) (2)/ 2.5x10 CS (2)
8253A	Portal housings, inner (rear), 6061-T6 aluminum (charcoal gray-anodized) (2)/ 2.5x10 CS (2)
8253G	Portal housings, inner (rear), 6061-T6 aluminum (green-anodized) (2)/ 2.5x10 CS (2)
8253R	Portal housings, inner (rear), 6061-T6 aluminum (red-anodized) (2)/ 2.5x10 CS (2)
8251X	Portal housings, outer, 6061-T6 aluminum (blue-anodized) (2)/ 2.5x10 CS (12)
8251A	Portal housings, outer, 6061-T6 aluminum (charcoal gray-anodized) (2)/ 2.5x10 CS (12)
8251G	Portal housings, outer, 6061-T6 aluminum (green-anodized) (2)/ 2.5x10 CS (12)
8251R	Portal housings, outer, 6061-T6 aluminum (red-anodized) (2)/ 2.5x10 CS (12)
8255A	Stub axle, extended (portal drive) (2)
8267	Weight, portal housing, brass (34 grams) (2)/ 2.5x8 CS (6) (requires #8251X, 8251R, 8251A, or 8251G outer portal housing)

Bearings & Bushings

5119A	Ball bearings, black rubber sealed (10x15x4mm) (2)
5120A	Ball bearings, black rubber sealed (12x18x4mm) (2)
5104A	Ball bearings, black rubber sealed (4x10x4mm) (2)
5115A	Ball bearings, black rubber sealed (5x10x4mm) (2)
5116A	Ball bearings, black rubber sealed (5x11x4mm) (2)
5114A	Ball bearings, black rubber sealed (5x8x2.5mm) (2)
5117A	Ball bearings, black rubber sealed (6x12x4mm) (2)
5180A	Ball bearings, black rubber sealed (6x13x5mm) (2)
5103A	Ball bearings, black rubber sealed (7x14x5mm) (2)

Body (1969 Chevrolet Blazer)

9112	Body, Chevrolet Blazer (1969 - 1970) (clear, requires painting) (includes grille, side mirrors, door handles, windshield wipers, decals, window masks)
9112X	Body, Chevrolet Blazer (1969), complete (black) (includes grill, side mirrors, door handles, windshield wipers, front & rear bumpers, decals)
9125	Bumper pads/ bumper guards (chrome)/ 2.5x10 BCS (4)/ 2.7mm drill bit (fits #9126 or #9127 front bumpers)
9127	Bumper, front (chrome)/ bumper mount/ 3x10 BCS (2)
9124	Bumper, rear (chrome)/ bumper mount/ 3x10 BCS (2)
9113	Decal sheets, Chevrolet Blazer (1969 -1972)
9115	Door handles, left, right, and rear/ retainers (3)/ windshield wipers, left & right/ retainer (1)/ fuel cap/ fuel flange/ fuel cap mount/ 1.6x5 BCS (self-tapping) (7)/ 2.6x8 BCS (1)
9123	Grille, Chevrolet Blazer (1969 - 1970)/ grille retainers (5)/ headlight housing (2)/ headlight lens (2)/ turn signal lens (2)/ hood emblem/ hood emblem mount/ 2.6x8 BCS (5)/ 2.5x6 BCS (4)/ 1.6x5 BCS (self-tapping) (2) (fits #9112 body)
9116	Marker light housing (4)/ marker light mount (4)/ marker light lens (red (2), amber (2))/ reverse lens (left & right)/ 1.6x5 BCS (self-tapping) (8)
9121	Mirrors, side, chrome (left & right)/ o-rings (4)/ body clips (4) (fits #9112 body)
9122	Tail light housing, black (2)/ lens (2)/ retainers (left & right)/ 2.6x8 BCS (self-tapping) (4)

Body (1972 Chevrolet Blazer)

9111	Body, Chevrolet Blazer (1972) (clear, requires painting) (includes grille, side mirrors, side trim, door handles, windshield wipers, decals, window masks)
9111X	Body, Chevrolet Blazer (1972), complete (blue) (includes grille, side mirrors, door handles, windshield wipers, front & rear bumpers, decals)
9125	Bumper pads/ bumper guards (chrome)/ 2.5x10 BCS (4)/ 2.7mm drill bit (fits #9126 or #9127 front bumpers)
9126	Bumper, front (chrome)/ bumper mount/ lens (left and right) (2)/ lens mount (left and right) (2)/ 3x10 BCS (2)/ 2.6x6 BCS (4)
9124	Bumper, rear (chrome)/ bumper mount/ 3x10 BCS (2)
9113	Decal sheets, Chevrolet Blazer (1969 -1972)
9115	Door handles, left, right, and rear/ retainers (3)/ windshield wipers, left & right/ retainer (1)/ fuel cap/ fuel flange/ fuel cap mount/ 1.6x5 BCS (self-tapping) (7)/ 2.6x8 BCS (1)
9120	Grille, Chevrolet Blazer (1972)/ grille retainers (5)/ headlight housing (2)/ lens (2)/ 2.6x8 BCS (5)/ 2.5x6 BCS (4) (fits #9111 body)
9116	Marker light housing (4)/ marker light mount (4)/ marker light lens (red (2), amber (2))/ reverse lens (left & right)/ 1.6x5 BCS (self-tapping) (8)
9118	Mirrors, side, chrome (left & right)/ o-rings (4)/ body clips (4) (fits #9111 body)
9117	Side trim, Chevrolet Blazer (1972), left & right/ rear trim, upper & lower/ retainers, left, right & rear/ 2.6x8 BCS (23)/ 1.6x5 BCS (self-tapping) (5) (fits #9111 body)
9119	Tail light housing, chrome (2)/ lens (2)/ retainers (left & right)/ 2.6x8 BCS (self-tapping) (4)

Body (1979 Chevrolet Blazer)

8130	Body, Chevrolet Blazer (1979) (clear, requires painting)/ window masks
8130G	Body, Chevrolet Blazer (1979) (orange) (requires grille, side mirrors, door handles, windshield wipers, decals)
8130A	Body, Chevrolet Blazer (1979) (red) (requires grille, side mirrors, door handles, windshield wipers, decals)
8130X	Body, Chevrolet Blazer (1979), complete (orange) (includes grille, side mirrors, door handles, windshield wipers, front & rear bumpers, decals)
8130R	Body, Chevrolet Blazer (1979), complete (red) (includes grille, side mirrors, door handles, windshield wipers, front & rear bumpers, decals)
8131	Decal sheet, Chevrolet Blazer (1979)
8132	Door handles, left, right & rear tailgate/ windshield wipers, left & right/ retainers (2)/ 1.6x5 BCS (self-tapping) (7) (fits #8130 body)
8134	Grille, Chevrolet Blazer (1979)/ grille retainers (4)/ headlight housing (2)/ lens (2)/ 2.6x8 BCS (4)/ 2.5x6 BCS (2) (fits #8130 body)
8133X	Mirrors, side (folding) (fits #8130 body)
8133	Mirrors, side, chrome (left & right)/ o-rings (4)/ body clips (4) (fits #8130 body)

BLAZER (82076-4)

- 8135 Tail lights, left & right (assembled)/ tail light retainers, left & right/ side marker lights (assembled) (2)/ side marker retainers (2)/ mounting tape (2)/ 1.6x5 BCS (self-tapping) (4)/ 2.6x8 BCS (2) (fits #8130 body)

Body (1979 Ford Bronco)

- 8010 Body, Ford Bronco (1979) (clear, requires painting)/ decals/ window masks/ tailgate panel insert/ adhesive foam tape (2)
- 8010X Body, Ford Bronco (1979), complete (black) (includes front and rear bumpers, push bar, rear body mount, grille, side mirrors, door handles, windshield wipers, spare tire mount, red and sunset decals) (requires #8072 inner fenders)
- 8078R Decal sheet, Bronco, red (fits #8010 body)
- 8075 Door handles, left & right/ windshield wipers, left & right/ retainers (3)/ 1.6x5 BCS (self-tapping) (4) (fits #8010 body)
- 8070 Grille, Ford Bronco/ grille retainers (6)/ headlight housing (2)/ lens (2)/ 2.6x8 BCS (6)/ 2.5x6 BCS (2) (fits #8010 body)
- 8073 Mirrors, side, black (left & right)/ retainers (2)/ body clips (4) (fits #8010 body)
- 8073X Mirrors, side, chrome (left & right)/ retainers (2)/ body clips (4) (fits #8010 body)
- 8076 Side trim, left & right (chrome)/ retainers/ LED lens/ 2.6x8 BCS (24) (fits #8010 body)
- 8074 Spare tire mount/ mounting bracket/ spare tire cover/ mounting hardware
- 8077 Tailgate panel insert (clear, requires painting)/ adhesive foam tape (2) (fits #8010 body)
- 8071 Tailgate panel/ tail light lens (2) (left & right) (fits #8010 body)

Body (Land Rover Defender)

- 8011 Body, Land Rover® Defender® (clear, trimmed, requires painting)/ window masks/ decal sheet
- 8011A Body, Land Rover® Defender®, adventure orange (complete with ExoCage, inner fenders, fuel canisters, and jack)
- 8011X Body, Land Rover® Defender®, graphite silver (painted)/ decals
- 8011R Body, Land Rover® Defender®, red (painted)/ decals
- 8012 Decals, Land Rover® Defender®
- 8016 ExoCage (complete with assembly hardware; #8015 roof basket sold separately) (fits #8011 body)
- 8019 Fender brace, inner, front & rear
- 8017 Fender flares, front & rear (2 each) (fits #8011 or #8211 body)
- 8018 Fenders, inner, front & rear (2 each)/ rock light covers (8)
- 8013 Grille, Land Rover® Defender®/ grille mount (3)/ headlight housing (2)/ lens (2)/ headlight mount (2) (fits #8011 body)
- 8020 Mirrors, side (left & right)/ snorkel/ mounting hardware (fits #8011 body)
- 8015 Roof basket (requires #8016 ExoCage) (fits #8011 body)
- 8021 Spare tire mount/ mounting bracket/ screw pins (2)
- 8014 Tail light housing (2)/ lens (2)/ decals (left & right) (fits #8011 body)

Body (Mercedes-Benz® G 500®)

- 8811 Body, Mercedes-Benz® G 500® 4x4² (clear, requires painting)/ decals/ window masks (includes rear body post, grille, side mirrors, door handles, & windshield wipers)
- 8812 Decals, Mercedes-Benz® G 500® 4x4²
- 8813X Grille, Mercedes-Benz® G 500® 4x4²/ grille mount/ grille insert/ headlight lens (2)/ headlight reflector (2)/ reflector lens (2)/ bumperette front (2)/ bumperette mount (2)/ turn signal housing (2)/ turn signal housing retainer (2)/ turn signal lens
- 8817 Mirrors, side, black (left & right)/ o-rings (4)/ windshield wipers, left, right, & rear/ wiper retainers (2)/ body clips (4)/ 1.6x5 BCS (self-tapping) (3)
- 8822 Roof visor/ visor retainer/ visor lens (2)/ 2.6x6 BCS (3)/ 3x4 GS (4)
- 8816X Side marker light housing (2)/ mount (2)/ lens (2)/ 1.6x7 BCS (self-tapping) (2)
- 8814X Tail light lens (2)/ tail light housing (2)/ tail light housing mount (2)/ reverse lens (2)/ 1.6x5 BCS (4) (left & right)

Body (Tactical Unit)

- 8211X Body, Tactical Unit, night camo (painted)/ decals
- 8019 Fender brace, inner, front & rear
- 8017 Fender flares, front & rear (2 each) (fits #8011 or #8211 body)
- 8018 Fenders, inner, front & rear (2 each)/ rock light covers (8)
- 8020 Mirrors, side (left & right)/ snorkel/ mounting hardware (fits #8011 body)
- 8021 Spare tire mount/ mounting bracket/ screw pins (2)

Body (TRX-4® Sport)

- 8112 Body with camper, TRX-4® Sport (clear, trimmed, requires painting)/ window masks/ decal sheet
- 8111R Body, TRX-4® Sport (clear, trimmed, die-cut for LED light kit, requires painting)/ window masks/ decal sheet

- 8111 Body, TRX-4® Sport (clear, trimmed, requires painting)/ window masks/ decal sheet
- 8113 Decal sheet, TRX-4® Sport
- 8120X Expedition rack, complete (includes traction boards, shovel, axe, jack, fire extinguisher, fuel cans, & mounting hardware) (fits #8111 or #8111R body)
- 8120 Expedition rack/ mounting hardware (fits #8111 or #8111R body)
- 8116 Grille/ grille retainers (2)/ grille mount/ lens (2)/ 2.5x8 BCS (6) (fits #8111 or #8112 body)
- 8119 Mirrors, side (left & right)/ snorkel/ mounting hardware (fits #8111 or #8112 body)
- 8122 Shovel/ axe/ accessory mount/ mounting hardware
- 8118 Spare tire mount/ mounting hardware
- 8117 Tailgate panel/ tailgate retainers (2)/ tailgate mount/ tail light lens (2) (left & right)/ 2.5x8 BCS (4) (fits #8111 or #8112 body)
- 8121X Traction boards, blue/ mounting hardware
- 8121G Traction boards, green/ mounting hardware
- 8121A Traction boards, yellow/ mounting hardware
- 8121 Traction boards/ mounting hardware

Body Accessories

- 1926 Antenna caps, vinyl (2)/ antenna spool
- 1726 Antenna, tube (1)/ vinyl antenna cap (1)/ wire retainer (1)
- 1834 Body clips (12) (standard size)
- 1834A Body clips, black (12) (standard size)
- 3934 Body clips, heavy duty (12)
- 3934A Body clips, heavy duty (black) (12)
- 8215 Body mounts & posts, front & rear (complete set)
- 8115 Body posts, front & rear
- 4915 Body washers, foam adhesive (10)
- 2514 Decal sheet, racing sponsors
- 8081 Fender extensions (4)/ 3x8 flat-head screws (24) (requires #8080 narrow inner fenders)
- 8080 Fenders, inner (narrow), front & rear (2 each)/ rock light covers (8)/ battery plate/ 3x8 flat-head screws (4)
- 8072 Fenders, inner, front & rear (2 each)/ rock light covers (8)/ battery plate/ 3x8 flat-head screws (4)
- 9950 Official Team Traxxas® racing decal set (flag logo/ 6-color)

Bumpers & Skidplates

- 8234 Bumper D-Rings, grey (front or rear)/ 2x12 CS (4)
- 8234R Bumper D-rings, red (front or rear)/ 2.0x12 CS (4)
- 8067 Bumper mounts, front & rear
- 8067X Bumper mounts, front & rear/ bumper mount, rear (offset)
- 8237 Bumper mounts, front & rear/ screw pins (4)
- 8124 Bumper, front (178mm wide)/ winch/ 2.6x8 BCS (1)
- 8137 Bumper, front (chrome)/ bumper mount/ 3x10 BCS (2)
- 8235 Bumper, front/ winch
- 8236 Bumper, rear
- 8125 Bumper, rear (176mm wide)
- 8136 Bumper, rear (chrome)/ bumper mount/ 3x8 BCS (2)
- 8138 Push bar, bumper, chrome (assembled) (fits #8137 bumper)
- 8238 Skidplate/ lower gear cover

Chassis & Attachments

- 8215 Body mounts & posts, front & rear (complete set)
- 8224 Box, receiver (sealed)/ wire cover/ foam pads/ silicone grease/ 3x8 BCS (5)/ 2.5x8 CS (2)
- 8058 Chassis conversion kit, TRX-4® (long to short wheelbase) (includes rear upper & lower suspension links, front & rear inner fenders, short female half shaft, battery tray, 3x8mm FCS (4))
- 8057 Chassis conversion kit, TRX-4® (short to long wheelbase) (includes rear upper & lower suspension links, front & rear shock towers, long female half shaft)
- 8220 Chassis rails, 448mm (steel) (left & right)
- 8081 Fender extensions (4)/ 3x8 flat-head screws (24) (requires #8080 narrow inner fenders)
- 8080 Fenders, inner (narrow), front & rear (2 each)/ rock light covers (8)/ battery plate/ 3x8 flat-head screws (4)
- 8072 Fenders, inner, front & rear (2 each)/ rock light covers (8)/ battery plate/ 3x8 flat-head screws (4)
- 8218 Floor pans, left & right
- 8224X Receiver box cover (for use only with #8224 receiver box & #2260 BEC)/ foam pads/ seals/ silicone grease
- 8219 Rock sliders, left & right
- 8225 Seal kit, receiver box (includes o-ring, seals, and silicone grease)
- 8240X Servo mount, 2-speed/ servo mount, T-Lock/ wire clips
- 8239 Servo mount, steering/ chassis crossmember
- 8216 Shock towers, front & rear (left & right)
- 8226 Tray, battery

Differential Components

8281	Carrier, differential/ differential slider/ T-Lock fork
8280A	Differential cover, front or rear (black)
8280X	Differential cover, front or rear (chrome-plated)
8280	Differential cover, front or rear (grey)
8280R	Differential cover, front or rear (red)
8195	Differential, locking, front and rear (assembled) (includes T-Lock cables and servo)
8282	Gear set, differential (output gears (2), spider gears (4), spider gear shaft (2))
8295	Output drive, transmission or differential (pin retainer (1)/ drive cup (1)/ drive ball (1)/ drive pin (1)/ 3x11 screw pin (1)/ cross pin (black) (1) 3x6 BCS with threadlock (1))
8279	Ring gear, differential/ pinion gear, differential
8279R	Ring gear, differential/ pinion gear, differential (machined)
8287	Ring gear, differential/ pinion gear, differential (overdrive, machined)
8288	Ring gear, differential/ pinion gear, differential (underdrive, machined)
8297	Spool/ differential housing plug/ e-clip

Driveline Components

8250	Half shafts, center (internal splined, front (2) & internal splined, rear (2)/ external splined (2)/ pin retainer (4)) (plastic parts only)
8255A	Stub axle, extended (portal drive) (2)
8269	Wheel hubs, 12mm hex (2)/ stub axle pins (2) (steel)
8269X	Wheel hubs, 12mm hex, 6061-T6 aluminum (blue-anodized) (4)/ screw pin (4)
8269A	Wheel hubs, 12mm hex, 6061-T6 aluminum (charcoal gray-anodized) (4)/ screw pin (4)
8269G	Wheel hubs, 12mm hex, 6061-T6 aluminum (green-anodized) (4)/ screw pin (4)
8269R	Wheel hubs, 12mm hex, 6061-T6 aluminum (red-anodized) (4)/ screw pin (4)

Hardware

1552	Backplate screws (3x8mm cap-head machine) (6)/washers (6)/ wrench
1834	Body clips (12) (standard size)
1834A	Body clips, black (12) (standard size)
3934	Body clips, heavy duty (12)
3934A	Body clips, heavy duty (black) (12)
8167X	Hardware kit, stainless steel, beadlock rings (contains stainless steel hardware for 4 wheels)
8298	Hardware kit, stainless steel, TRX-4® (contains all stainless steel hardware used on TRX-4)
8151	Hardware kit, stainless steel, TRX-4® High Lift Kit (contains all stainless steel hardware used on TRX-4® Long Arm Lift Kit)
5476X	Hex wrenches; 1.5mm, 2mm, 2.5mm, 3mm, 2.5mm ball
3647	Nuts, 4mm flanged nylon locking (steel, serrated) (8)
8347	Nuts, 4mm flanged nylon locking, serrated (black) (10)
1747R	Nuts, aluminum, flanged, serrated (4mm) (blue-anodized) (4)
1747G	Nuts, aluminum, flanged, serrated (4mm) (green-anodized) (4)
1747P	Nuts, aluminum, flanged, serrated (4mm) (pink-anodized) (4)
1985	PTFE-coated washers, 5x8x0.5mm (20) (use with ball bearings)
8221	Screw pin, 3x10mm (6)
3229	Screws, 2.5x10mm cap-head machine (hex drive) (6)
2523	Screws, 2.5x10mm countersunk machine (hex drive) (6)
3236	Screws, 2.5x12mm cap-head machine (6)
2618	Screws, 2.5x16mm cap-head machine (6)
3215	Screws, 2.5x8mm cap-head machine (hex drive) (6)
2617	Screws, 2.5x8mm button-head machine (hex drive) (6)
3965	Screws, 2.5x8mm cap-head machine (6)
2524	Screws, 2.5x8mm countersunk machine (hex drive) (6)
8299	Screws, 2.6x12mm button-head, self-tapping (hex drive) (6)
8167	Screws, 2x10mm cap-head, self-tapping (hex drive) (10)
2564	Screws, 2x8mm cap-head machine (hex drive) (6)
2577	Screws, 3x10mm button-head machine (hex drive) (6)
4859	Screws, 3x10mm flat-head machine (hex drive) (4)
2578	Screws, 3x12mm button-head machine (hex drive) (6)
2579	Screws, 3x15mm button-head machine (hex drive) (6)
2591	Screws, 3x23mm button-head machine (hex drive) (6)
2581	Screws, 3x25mm button-head machine (hex drive) (6)
2616	Screws, 3x27mm button-head machine (hex drive) (6)
2582	Screws, 3x30mm button-head machine (hex drive) (6)
2575	Screws, 3x6mm button-head machine (hex drive) (6)
3932	Screws, 3x6mm flat-head machine (hex drive) (6)
2576	Screws, 3x8mm button-head machine (hex drive) (6)
3931	Screws, 3x8mm flat-head machine (hex drive) (6)
3933	Screws, 4x16mm button-head machine (hex drive) (6)

LED Light Accessories

8031	3-in-1 wire harness, LED light kit
8089	4-in-2 wire harness, LED light kit
8028	LED lights, power supply (regulated, 3V, 0.5-amp)/ 3-in-1 wire harness
8026X	LED rock light kit, TRX-4®/TRX-6™ (requires #8028 power supply and #8018, #8072, or #8080 inner fenders)

LED Lights (1979 Chevrolet Blazer)

8039	LED light set (contains headlights, tail lights, side marker lights, distribution block (fits #8130 body, requires #8028 power supply)
8038	LED light set, complete with power supply (contains headlights, tail lights, side marker lights, distribution block, and power supply) (fits #8130 body)

LED Lights (1979 Ford Bronco)

8036	LED light set (contains headlights, tail lights, side marker lights, & distribution block) (fits #8010 body, requires #8028 power supply)
8035	LED light set, complete with power supply (contains headlights, tail lights, side marker lights, & distribution block) (fits #8010 body)
8037	LED lights, high/low switch (for #8035 or #8036 LED light kits)

LED Lights (Land Rover Defender)

8027	LED headlight/tail light kit (fits #8011 body, requires #8028 power supply)
8025	LED light bar (Rigid®), TRX-4 (requires #8028 power supply)
8029	LED light bar kit (Rigid®)/power supply, TRX-4®
8030	LED light set, complete (contains rock light kit, LED light bar (Rigid®), LED headlight/tail light kit, power supply, & 3-in-1 wire harness) (fits #8011 body)

LED Lights (Mercedes-Benz® G 500® 4x4*)

8899	LED light set (contains headlights, tail lights, roof lights, and distribution block) (fits #8811 or #8825 body, requires #8028 power supply)
8898	LED light set, complete with power supply (contains headlights, tail lights, roof lights, & distribution block) (fits #8811 or #8825 body)

LED Lights (TRX-4® Sport)

8086	LED expedition rack scene light kit (fits #8111 body, requires #8028 power supply)
8084	LED headlight/tail light kit (fits #8111 or #8112 body, requires #8028 power supply)
8088	LED light bar, front bumper (fits #8124 front bumper, requires #8028 power supply)
8087	LED light bar, roof lights (fits #8111 body, requires #8028 power supply)
8085	LED light set, complete with power supply (contains headlights, tail lights, & distribution block) (fits #8111 or #8112 body)

Long Arm Lift Kit

8162X	Body, GTS shock, long (aluminum, blue-anodized) (1) (for use with #8140X TRX-4® Long Arm Lift Kit)
8162R	Body, GTS shock, long (aluminum, red-anodized) (1) (for use with #8140R TRX-4® Long Arm Lift Kit)
8162	Body, GTS shock, long (silver aluminum) (1) (for use with #8140 TRX-4® Long Arm Lift Kit)
8148	Cable, T-lock (extra long) (for use with TRX-4® Long Arm Lift Kit)
8147	Cable, T-lock (medium) (for use with TRX-4® Long Arm Lift Kit)
8150	Driveshaft extension kit, center (includes internal splined, x-long (2), internal splined, long (1) and internal splined, medium (1)) (for use with TRX-4® Long Arm Lift Kit)
8140	Long Arm Lift Kit, TRX-4®, complete
8140X	Long Arm Lift Kit, TRX-4®, complete (includes blue powder coated links, blue-anodized shocks)
8140R	Long Arm Lift Kit, TRX-4®, complete (includes red powder coated links, red-anodized shocks)
8149	Rod ends, extended (standard (4), angled (4))/ hollow balls (8) (for use with TRX-4® Long Arm Lift Kit)
8141	Servo mount, steering (for use with TRX-4® Long Arm Lift Kit)
8161	Shock shaft, 3x57mm (GTS) (2) (includes bump stops) (for use with TRX-4® Long Arm Lift Kit)
8160X	Shocks, GTS, aluminum (blue-anodized) (assembled without springs) (4) (for use with #8140X TRX-4® Long Arm Lift Kit)
8160R	Shocks, GTS, aluminum (red-anodized) (assembled without springs) (4) (for use with #8140R TRX-4® Long Arm Lift Kit)
8160	Shocks, GTS, silver aluminum (assembled without springs) (4) (for use with #8140 TRX-4® Long Arm Lift Kit)
8153	Springs, shock, long (natural finish) (GTS) (0.29 rate, white stripe) (for use with TRX-4® Long Arm Lift Kit)
8154	Springs, shock, long (natural finish) (GTS) (0.39 rate, orange stripe) (for use with TRX-4® Long Arm Lift Kit)

BLAZER (82076-4)

8155	Springs, shock, long (natural finish) (GTS) (0.47 rate) (included with TRX-4® Long Arm Lift Kit)
8156	Springs, shock, long (natural finish) (GTS) (0.54 rate, green stripe) (for use with TRX-4® Long Arm Lift Kit)
8157	Springs, shock, long (natural finish) (GTS) (0.62 rate, blue stripe) (for use with TRX-4® Long Arm Lift Kit)
8146X	Steering link, 5x117mm (1)/ draglink, 5x60mm (1)/ panhard link, 5x63mm (blue powder coated steel) (assembled with hollow balls) (for use with #8140X TRX-4® Long Arm Lift Kit)
8146R	Steering link, 5x117mm (1)/ draglink, 5x60mm (1)/ panhard link, 5x63mm (red powder coated steel) (assembled with hollow balls) (for use with #8140R TRX-4® Long Arm Lift Kit)
8144X	Suspension link, front upper, 5x68mm (1) (blue powder coated steel) (assembled with hollow balls) (for use with #8140X TRX-4® Long Arm Lift Kit)
8144R	Suspension link, front upper, 5x68mm (1) (red powder coated steel) (assembled with hollow balls) (for use with #8140R TRX-4® Long Arm Lift Kit)
8144	Suspension link, front upper, 5x68mm (1) (steel) (assembled with hollow balls) (for use with #8140 TRX-4® Long Arm Lift Kit)
8143	Suspension links, front lower (2) (5x104mm, steel) (assembled with hollow balls) (for use with #8140 TRX-4® Long Arm Lift Kit)
8143X	Suspension links, front lower, blue (2) (5x104mm, powder coated steel) (assembled with hollow balls) (for use with #8140X TRX-4® Long Arm Lift Kit)
8143R	Suspension links, front lower, red (2) (5x104mm, powder coated steel) (assembled with hollow balls) (for use with #8140R TRX-4® Long Arm Lift Kit)
8145	Suspension links, rear lower (2) (5x115mm, steel) (assembled with hollow balls) (for use with #8140 TRX-4® Long Arm Lift Kit)
8145X	Suspension links, rear lower, blue (2) (5x115mm, powder coated steel) (assembled with hollow balls) (for use with #8140X TRX-4® Long Arm Lift Kit)
8145R	Suspension links, rear lower, red (2) (5x115mm, powder coated steel) (assembled with hollow balls) (for use with #8140R TRX-4® Long Arm Lift Kit)
8142	Suspension links, rear upper (2) (5x115mm, steel) (assembled with hollow balls) (for use with #8140 TRX-4® Long Arm Lift Kit)
8142X	Suspension links, rear upper, blue (2) (5x115mm, powder coated steel) (assembled with hollow balls) (for use with #8140X TRX-4® Long Arm Lift Kit)
8142R	Suspension links, rear upper, red (2) (5x115mm, powder coated steel) (assembled with hollow balls) (for use with #8140R TRX-4® Long Arm Lift Kit)
8172	Tires and wheels, assembled (Method 105 2.2" black chrome beadlock wheels, Canyon Trail 5.3x2.2" tires, foam inserts) (1 left, 1 right)
8181	Tires and wheels, assembled, glued (TRX-4® Sport 2.2" wheels, Canyon Trail 5.3x2.2" tires) (2)
8170	Tires, Canyon Trail 5.3x2.2" foam inserts (2)
8171	Wheels, Method 105 2.2" (black chrome, beadlock) (beadlock rings sold separately)
8171A	Wheels, Method 105 2.2" (charcoal gray, beadlock) (beadlock rings sold separately)
8180	Wheels, TRX-4® Sport 2.2 (2)

Motors & Electronics

1926	Antenna caps, vinyl (2)/ antenna spool
1726	Antenna, tube (1)/ vinyl antenna cap (1)/ wire retainer (1)
2262	BEC, complete (includes receiver box cover and seals)
2064	Gear set (for 2065 waterproof sub-micro servo)
2064X	Gear set, metal (for 2065X waterproof sub-micro servo)
2072X	Gear set, metal (for 2070, 2075 servos)
2252	Gear set, metal (for 2250, 2255 servos)
2072R	Gear set, metal, high speed (for 2070, 2075 servos)
8290X	Motor mount plate, 6061-T6 aluminum (blue-anodized)
8290A	Motor mount plate, 6061-T6 aluminum (charcoal gray-anodized)
8290G	Motor mount plate, 6061-T6 aluminum (green-anodized)
8290R	Motor mount plate, 6061-T6 aluminum (red-anodized)
3975R	Motor, Titan® 550, reverse rotation (21-turns/ 14 volts) (1)
8290	Plate, motor/ upper spur gear cover
2254	Servo case, aluminum (blue-anodized) (middle) (for 2250 servo)
2253	Servo case, aluminum (red-anodized) (middle) (for 2255 servo)
2251	Servo case, plastic (top, middle, bottom)/ gaskets/ hardware (for 2250, 2255 servos)
2063	Servo case/gaskets (for 2065 waterproof sub-micro servo)
2063X	Servo case/gaskets (for 2065X metal gear, waterproof, sub-micro servo)
5669	Servo horn (with built-in spring and hardware) (for Summit locking differential)
2075R	Servo, digital high-speed, metal gear (ball bearing), waterproof
2250	Servo, digital high-torque 330 coreless, metal gear (ball bearing), waterproof (#2262 external BEC and #8247X metal servo horn recommended for optimal performance)

2255	Servo, digital high-torque 400 brushless, metal gear (ball bearing), waterproof (#2262 external BEC and #8247 steel servo horn recommended for optimal performance)
2075X	Servo, digital high-torque, metal gear (ball bearing), waterproof
2065	Servo, sub-micro, waterproof
2065X	Servo, sub-micro, waterproof, metal gear
3025	XL-5HV 3s Electronic Speed Control, waterproof (low-voltage detection, fwd/rev/brake)
2261	Y-harness, BEC

Radio System, Batteries & Chargers

2849X	4000mAh 11.1v 3-Cell 25C LiPo Battery
2872X	5000mAh 11.1v 3-Cell 25C LiPo Battery
2842X	5000mAh 7.4v 2-Cell 25C LiPo Battery
2843X	5800mAh 7.4v 2-Cell 25C LiPo Battery
2869X	7600mAh 7.4v 2-Cell 25C LiPo Battery
2976	AC to DC converter, 40W
2938X	Adapter, Traxxas® iD® LiPo battery (adapts Traxxas iD batteries to separate balance ports)
1726	Antenna, tube (1)/ vinyl antenna cap (1)/ wire retainer (1)
2943	Battery charge indicators (green (4), blue (4), grey (4))
6548	Battery door, transmitter (replacement for #6516, 6517, 6528, 6529, 6530 transmitters)
8222	Battery strap (for 2200 2-cell and 1400 3-cell LiPo batteries)
2914	Battery, Power Cell AA Alkaline (4)
2923X	Battery, Power Cell, 3000mAh (NiMH, 7-C flat, 8.4V)
2940X	Battery, Series 3 Power Cell, 3300mAh (NiMH, 7-C flat, 8.4V)
2950X	Battery, Series 4 Power Cell, 4200mAh (NiMH, 7-C flat, 8.4V)
2960X	Battery, Series 5 Power Cell, 5000mAh (NiMH, 7-C flat, 8.4V)
2983	Battery/charger completer pack (includes #2969 2-amp NiMH peak detecting AC charger (1), #2923X 3000mAh 8.4V 7-cell NiMH battery (1))
2992	Battery/charger completer pack (includes #2970 iD® charger (1), #2843X 5800mAh 7.4V 2-cell 25C LiPo battery (1))
2994	Battery/charger completer pack (includes #2970 iD® charger (1), #2849X 4000mAh 11.1v 3-Cell 25C LiPo Battery (1))
2991	Battery/charger completer pack (includes #2972 Dual iD® charger (1), #2869X 7600mAh 7.4V 2-cell 25C LiPo battery (2))
2262	BEC, complete (includes receiver box cover and seals)
2975	Charger, DC, 4 amp (6 - 7 cell, 7.2 - 8.4 volt, NiMH)
2972	Charger, EZ-Peak® Dual, 100W, NiMH/LiPo with iD® Auto Battery Identification
2973	Charger, EZ-Peak® Live Dual, 200W, NiMH/LiPo with iD® Auto Battery Identification
2971	Charger, EZ-Peak® Live, 100W, NiMH/LiPo with iD® Auto Battery Identification
2970	Charger, EZ-Peak® Plus, 4 amp, NiMH/LiPo with iD® Auto Battery Identification
6525	Communication link, telemetry expander
6541	Connector, power tap (with cable) (long)/ wire tie
6512	Cover plate, Traxxas Link™ Wireless Module
2978	Fuse, charger, 5A (2) (for #2974, 2975, 2977)
2064	Gear set (for 2065 waterproof sub-micro servo)
2064X	Gear set, metal (for 2065X waterproof sub-micro servo)
2072X	Gear set, metal (for 2070, 2075 servos)
2252	Gear set, metal (for 2250, 2255 servos)
2072R	Gear set, metal, high speed (for 2070, 2075 servos)
2072R	Gear set, metal, high speed (for 2070, 2075 servos)
2072R	Gear set, metal, high speed (for 2070, 2075 servos)
6561	Mount, telemetry expander
6535	Mount, temperature sensor (electric motors)/ wire tie/ thermal pad
6533	Receiver, micro, TQi 2.4GHz with telemetry & TSM (5-channel)
6552	Seal kit, expander box (includes o-ring, seals, and silicone grease)
6526	Sensor, auto-detectable, temperature
6527	Sensor, auto-detectable, voltage
6521	Sensor, temperature and voltage (long)
2254	Servo case, aluminum (blue-anodized) (middle) (for 2250 servo)
2253	Servo case, aluminum (red-anodized) (middle) (for 2255 servo)
2251	Servo case, plastic (top, middle, bottom)/ gaskets/ hardware (for 2250, 2255 servos)
2063	Servo case/gaskets (for 2065 waterproof sub-micro servo)
2063X	Servo case/gaskets (for 2065X metal gear, waterproof, sub-micro servo)
2075R	Servo, digital high-speed, metal gear (ball bearing), waterproof
2250	Servo, digital high-torque 330 coreless, metal gear (ball bearing), waterproof (#2262 external BEC and #8247X metal servo horn recommended for optimal performance)

2255	Servo, digital high-torque 400 brushless, metal gear (ball bearing), waterproof (#2262 external BEC and #8247 steel servo horn recommended for optimal performance)
2075X	Servo, digital high-torque, metal gear (ball bearing), waterproof
2065	Servo, sub-micro, waterproof
2065X	Servo, sub-micro, waterproof, metal gear
6553X	Telemetry expander 2.0 and GPS module 2.0, TQi radio system
6550X	Telemetry expander 2.0, TQi radio system (for use only with #6551X GPS module)
6551X	Telemetry GPS module 2.0, TQi radio system (for use only with #6550X telemetry expander)
6509R	TQi 2.4 GHz High Output radio system, 2-channel, Traxxas Link™ enabled, TSM (2-ch transmitter, 5-ch micro receiver)
6507R	TQi 2.4 GHz High Output radio system, 4-channel with Traxxas Link™ Wireless Module, TSM (4-ch transmitter, 5-ch micro receiver)
6530	Transmitter, TQi Traxxas Link™ enabled, 2.4GHz high output, 4-channel (transmitter only)
6511	Traxxas Link™ Wireless Module
2261	Y-harness, BEC

Ready-To-Race Model

82076-4	TRX-4® Scale and Trail™ Crawler with 1979 Chevrolet Blazer Body: 4WD Electric Truck with TQi Traxxas Link™ Enabled 2.4GHz Radio System
---------	----------------------------------------------------------------------------------------------------------------------------------------

Scale Details

8120X	Expedition rack, complete (includes traction boards, shovel, axe, jack, fire extinguisher, fuel cans, & mounting hardware) (fits #8111 or #8111R body)
8022T	Fuel canisters (black) (2)/ 3x8 FCS (1)
8022R	Fuel canisters (blue) (2)/ 3x8 FCS (1)
8022	Fuel canisters (red) (2)/ 3x8 FCS (1)
8022X	Fuel canisters (white) (2)/ 3x8 FCS (1)
8022A	Fuel canisters (yellow) (2)/ 3x8 FCS (1)
8023T	Jack (black) (1)/ 2x8 BCS (1)
8023	Jack (red) (1)/ 2x8 BCS (1)
8122	Shovel/ axe/ accessory mount/ mounting hardware
8121X	Traction boards, blue/ mounting hardware
8121G	Traction boards, green/ mounting hardware
8121A	Traction boards, yellow/ mounting hardware
8121	Traction boards/ mounting hardware

Shocks (GTS)

8266	Body, GTS shock (aluminum, silver-anodized) (1)
8266X	Body, GTS shock (hard-anodized, PTFE-coated aluminum) (1)
8266A	Body, GTS shock, aluminum (blue-anodized) (1)
8266G	Body, GTS shock, aluminum (green-anodized) (1)
8266R	Body, GTS shock, aluminum (red-anodized) (1)
8264	Caps & spring retainers, GTS shocks (upper cap (2)/ hollow balls (4)/ bottom cap (2)/ upper retainer (2)/ lower retainer (2))
8274	Hollow ball set, complete, TRX-4® (aluminum, PTFE-coated)
5475	Multi-tool (plastic)
8261	Piston, damper (red) (4)/ e-clips (8)
8262	Rebuild kit, GTS shocks (x-rings, o-rings, pistons, bushings, e-clips, and rod ends)
8263	Shock shaft, 3x47mm (GTS) (2)
8263T	Shock shaft, 3x47mm (GTS) (titanium nitride-coated) (2)
8260X	Shocks, GTS hard-anodized, PTFE-coated aluminum bodies with TiN shafts (assembled with spring retainers) (2)
8260A	Shocks, GTS, aluminum (blue-anodized) (assembled with spring retainers) (2)
8260G	Shocks, GTS, aluminum (green-anodized) (assembled with spring retainers) (2)
8260R	Shocks, GTS, aluminum (red-anodized) (assembled with spring retainers) (2)
8260	Shocks, GTS, silver aluminum (assembled with spring retainers) (2)
1666	Silicone shock oil (30 wt)

Slipper Clutch Components

8292	Input shaft/ output shaft (transmission)
8286	Output shafts (transfer case), front & rear
8254	Rebuild kit, slipper clutch (steel disc (2)/ friction insert (2)/ 4.0mm NL (1) spring washers (4), metal washer (1))
8249	Slipper eliminator plate

Springs

8042	Springs, shock (natural finish) (GTS) (0.22 rate, yellow stripe) (2)
8043	Springs, shock (natural finish) (GTS) (0.30 rate, white stripe) (2)
8044	Springs, shock (natural finish) (GTS) (0.39 rate, orange stripe) (2)
8041	Springs, shock (natural finish) (GTS) (0.45 rate) (2)
8040	Springs, shock (natural finish) (GTS) (0.54 rate, green stripe) (2)
8045	Springs, shock (natural finish) (GTS) (0.61 rate, blue stripe) (2)

Spur Gears & Pinion Gears

6746	Gear, 10-T pinion (32-p) (steel)/ set screw
6747	Gear, 11-T pinion (32-p) (steel)/ set screw
3942X	Gear, 12-T pinion (32-p), heavy duty (machined, hardened steel)/ set screw
3943X	Gear, 13-T pinion (32-p), heavy duty (machined, hardened steel)/ set screw
3944X	Gear, 14-T pinion (32-p), heavy duty (machined, hardened steel)/ set screw
3945X	Gear, 15-T pinion (32-p), heavy duty (machined, hardened steel)/ set screw
3946X	Gear, 16-T pinion (32-p), heavy duty (machined, hardened steel)/ set screw
3947X	Gear, 17-T pinion (32-p), heavy duty (machined, hardened steel)/ set screw
3948X	Gear, 18-T pinion (32-p), heavy duty (machined, hardened steel)/ set screw
3949X	Gear, 19-T pinion (32-p), heavy duty (machined, hardened steel)/ set screw
3950X	Gear, 20-T pinion (32-p), heavy duty (machined, hardened steel)/ set screw
3951X	Gear, 21-T pinion (32-p), heavy duty (machined, hardened steel)/ set screw
3952X	Gear, 22-T pinion (32-p), heavy duty (machined, hardened steel)/ set screw
6745	Gear, 9-T pinion (32-p) (steel)/ set screw
8052	Spur gear, 39-tooth (32-pitch)
8053	Spur gear, 45-tooth (32-pitch)

Steering Components

8232	Caster blocks (portal drive), left & right/ kingpin bushings (4)
8232X	Caster blocks, 6061-T6 aluminum (blue-anodized), left and right
8232A	Caster blocks, 6061-T6 aluminum (charcoal gray-anodized), left and right
8232G	Caster blocks, 6061-T6 aluminum (green-anodized), left and right
8232R	Caster blocks, 6061-T6 aluminum (red-anodized), left and right
2072X	Gear set, metal (for 2070, 2075 servos)
2072R	Gear set, metal, high speed (for 2070, 2075 servos)
8274	Hollow ball set, complete, TRX-4® (aluminum, PTFE-coated)
5355	Hollow ball, tall centered (2)/ tall offset hollow ball (2)/ bump steer adjustment shims: 3.5mm (2), 1.17mm (2)
8275	Rod end set, complete (standard (10), angled 10-degrees (8), offset (4))
8276	Rod ends (10)
8277	Rod ends, angled 10-degrees (8)
2742	Rod ends, long (6)/ hollow ball connectors (6)
8278	Rod ends, offset (4)
8247	Servo horn, steering
8247X	Servo horn, steering, metal/ 3x14 BCS (1)
2075R	Servo, digital high-speed, metal gear (ball bearing), waterproof
2075X	Servo, digital high-torque, metal gear (ball bearing), waterproof
5529	Shim set, 3x7x1mm (2), 3x6x0.5mm (4), 3x7x2mm (2)/ hollow balls, captured (4)
8246	Steering link, 5x60mm (1)/ draglink, 5x117mm (1) (steel)
8243	Suspension link, front, 5x100mm (lower) (steel) (2)
8244	Suspension link, front, 5x63mm (upper) (steel) (2)
8245	Suspension link, rear, 5x121mm (upper or lower) (steel) (2)

Suspension Linkage

8058	Chassis conversion kit, TRX-4® (long to short wheelbase) (includes rear upper & lower suspension links, front & rear inner fenders, short female half shaft, battery tray, 3x8mm FCS (4))
8057	Chassis conversion kit, TRX-4® (short to long wheelbase) (includes rear upper & lower suspension links, front & rear shock towers, long female half shaft)
8274	Hollow ball set, complete, TRX-4® (aluminum, PTFE-coated)
5355	Hollow ball, tall centered (2)/ tall offset hollow ball (2)/ bump steer adjustment shims: 3.5mm (2), 1.17mm (2)
8275	Rod end set, complete (standard (10), angled 10-degrees (8), offset (4))
8276	Rod ends (10)
8277	Rod ends, angled 10-degrees (8)
2742	Rod ends, long (6)/ hollow ball connectors (6)
8278	Rod ends, offset (4)
5529	Shim set, 3x7x1mm (2), 3x6x0.5mm (4), 3x7x2mm (2)/ hollow balls, captured (4)
8243	Suspension link, front, 5x100mm (lower) (steel) (2)
8244	Suspension link, front, 5x63mm (upper) (steel) (2)
8248	Suspension link, rear, 5x109mm (upper or lower) (steel) (2)
8245	Suspension link, rear, 5x121mm (upper or lower) (steel) (2)

BLAZER (82076-4)**Team Traxxas Items**

2514	Decal sheet, racing sponsors
6160X	DVD, Maxx® Power! Full Throttle Action (sleeve)
9950	Official Team Traxxas® racing decal set (flag logo/ 6-color)
9909	Traxxas® racing banner, red & black (3x7 feet)

Tires & Wheels

8169T	Beadlock rings, black (1.9") (aluminum) (4)/ 2x10 CS (48)
8168T	Beadlock rings, black (2.2") (aluminum) (4)/ 2x10 CS (48)
8169X	Beadlock rings, blue (1.9") (aluminum) (4)/ 2x10 CS (48)
8168X	Beadlock rings, blue (2.2") (aluminum) (4)/ 2x10 CS (48)
8169G	Beadlock rings, green (1.9") (aluminum) (4)/ 2x10 CS (48)
8168G	Beadlock rings, green (2.2") (aluminum) (4)/ 2x10 CS (48)
8169A	Beadlock rings, orange (1.9") (aluminum) (4)/ 2x10 CS (48)
8168A	Beadlock rings, orange (2.2") (aluminum) (4)/ 2x10 CS (48)
8169R	Beadlock rings, red (1.9") (aluminum) (4)/ 2x10 CS (48)
8168R	Beadlock rings, red (2.2") (aluminum) (4)/ 2x10 CS (48)
8169	Beadlock rings, satin (1.9") (aluminum) (4)/ 2x10 CS (48)
8168	Beadlock rings, satin (2.2") (aluminum) (4)/ 2x10 CS (48)
8164	Center caps, wheel (chrome) (4)/ decal sheet (requires #8255A extended stub axle)
8176	Center caps, wheel (chrome) (4)/ decal sheet (requires #8255A extended stub axle)
8174	Tires and wheels, assembled (Method 105 1.9" black chrome beadlock wheels, Canyon Trail 4.6x1.9" tires, foam inserts) (1 left, 1 right)
8172	Tires and wheels, assembled (Method 105 2.2" black chrome beadlock wheels, Canyon Trail 5.3x2.2" tires, foam inserts) (1 left, 1 right) (for use with TRX-4 Long Arm Lift Kit)
8166X	Tires and wheels, assembled, glued (1.9" chrome wheels, Canyon Trail 4.6x1.9" tires) (4)/ center caps (4)/ decal sheet (requires #8255A extended stub axle)
8166	Tires and wheels, assembled, glued (1.9" chrome wheels, Canyon Trail 4.6x1.9" tires) (2)/ center caps (2)/ decal sheet (requires #8255A extended stub axle)
8177	Tires and wheels, assembled, glued (1.9" chrome wheels, Canyon Trail 4.6x1.9" tires) (2)/ center caps (2)/ decal sheet (requires #8255A extended stub axle)
8183X	Tires and wheels, assembled, glued (1.9" classic chrome wheels, Canyon Trail 4.6x1.9" tires) (4)/ center caps (4) (requires #8255A extended stub axle)
8273	Tires and wheels, assembled, glued (Tactical 1.9" wheels, Canyon Trail 4.6x1.9" tires) (2)
8272X	Tires and wheels, assembled, glued (TRX-4® 1.9" satin beadlock wheels, Canyon Trail 4.6x1.9" tires) (2)
8272	Tires and wheels, assembled, glued (TRX-4® 1.9" wheels, Canyon Trail 4.6x1.9" tires) (2)
8179	Tires and wheels, assembled, glued (TRX-4® Sport 1.9" wheels, Canyon Trail 4.6x1.9" tires) (2)
8181	Tires and wheels, assembled, glued (TRX-4® Sport 2.2" wheels, Canyon Trail 5.3x2.2" tires) (2) (for use with TRX-4 Long Arm Lift Kit)
8270	Tires, Canyon Trail 4.6x1.9" (S1 compound)/ foam inserts (2)
8170	Tires, Canyon Trail 5.3x2.2"/ foam inserts (2) (for use with TRX-4 Long-Arm Lift Kit)
8269	Wheel hubs, 12mm hex (2)/ stub axle pins (2) (steel)
8269X	Wheel hubs, 12mm hex, 6061-T6 aluminum (blue-anodized) (4)/ screw pin (4)
8269A	Wheel hubs, 12mm hex, 6061-T6 aluminum (charcoal gray-anodized) (4)/ screw pin (4)
8269G	Wheel hubs, 12mm hex, 6061-T6 aluminum (green-anodized) (4)/ screw pin (4)
8269R	Wheel hubs, 12mm hex, 6061-T6 aluminum (red-anodized) (4)/ screw pin (4)
8165	Wheels, 1.9", chrome (2)/ center caps (2)/ decal sheet (requires #8255A extended stub axle)
8175	Wheels, 1.9", chrome (2)/ center caps (2)/ decal sheet (requires #8255A extended stub axle)
8173	Wheels, Method 105 1.9" (black chrome, beadlock) (beadlock rings sold separately)
8173A	Wheels, Method 105 1.9" (charcoal gray, beadlock) (beadlock rings sold separately)
8171	Wheels, Method 105 2.2" (black chrome, beadlock) (beadlock rings sold separately) (for use with TRX-4 Long Arm Lift Kit)
8171A	Wheels, Method 105 2.2" (charcoal gray, beadlock) (beadlock rings sold separately) (for use with TRX-4 Long Arm Lift Kit)
8268	Wheels, Tactical 1.9 (2)
8271	Wheels, TRX-4® 1.9 (2)
8271X	Wheels, TRX-4® 1.9 (satin beadlock) (2)
8178	Wheels, TRX-4® Sport 1.9 (2)

8180	Wheels, TRX-4 Sport 2.2 (2) (for use with TRX-4 Long Arm Lift Kit)
------	--------------------------------------------------------------------

Transmission Components

8283	Cable, T-lock (front)
8284	Cable, T-lock (rear)
8195	Differential, locking, front and rear (assembled) (includes T-Lock cables and servo)
8289	Drive hub, 2-speed/ shift dog/ shift fork/ 2-speed linkage
8293X	Gear set, transmission, metal (includes 18T, 30T input gears, 36T output gear, 2x9.8 pins (5))
8291	Gearbox housing (includes main housing, front housing, & cover)
8285	Gears, transfer case (3)
5041	Grease, premium high performance (20cc)
8292	Input shaft/ output shaft (transmission)
8290X	Motor mount plate, 6061-T6 aluminum (blue-anodized)
8290A	Motor mount plate, 6061-T6 aluminum (charcoal gray-anodized)
8290G	Motor mount plate, 6061-T6 aluminum (green-anodized)
8290R	Motor mount plate, 6061-T6 aluminum (red-anodized)
8295	Output drive, transmission or differential (pin retainer (1)/ drive cup (1)/ drive ball (1)/ drive pin (1)/ 3x11 screw pin (1)/ cross pin (black) (1) 3x6 BCS with threadlock (1))
8294	Output gear, high range, 24T (metal)
8286	Output shafts (transfer case), front & rear
8290	Plate, motor/ upper spur gear cover
8249	Slipper eliminator plate
8296	Transmission gears, single speed, metal
8196	Two speed conversion kit

Traxxas Tools

3433X	Body reamer (aluminum handle)
3433	Body reamer (plastic handle)
3436	Cap, body reamer
3432	Scissors, curved tip
3431	Scissors, straight tip
8712	Speed Bit Essentials Set, hex and nut driver, 7-piece, includes premium handle (medium), travel pouch, hex drivers (straight: 1.5mm, 2.0mm, 2.5mm) and nut drivers (5.0mm, 5.5mm, 7.0mm, and 8.0mm), 1/4" drive
8721	Speed bit handle, medium (one piece)
8720	Speed bit handle, premium, large (rubber overmold)
8722	Speed bit handle, premium, medium (rubber overmold)
8710	Speed Bit Master Set, hex and nut driver, 13-piece, includes premium handle (medium), travel pouch, hex drivers (straight: 1.5mm, 2.0mm, 2.5mm, 3.0mm), (ball-end: 2.0mm, 2.5mm, 3.0mm), and nut drivers (4.00mm, 4.50mm, 5.00mm, 5.50mm, 7.00mm, 8.00mm),
8711	Speed Bit Master Set, hex driver, 7-piece straight and ball end, includes premium handle (medium), travel pouch, hex drivers (straight: 1.5mm, 2.0mm, 2.5mm, 3.0mm) (ball end: 2.0mm, 2.5mm, 3.0mm), 1/4" drive
8719	Speed Bit Master Set, nut driver, 6-piece, includes premium handle (medium), travel pouch, and nut drivers (4.0mm, 4.5mm, 5.0mm, 5.5mm, 7.0mm, 8.0mm), 1/4" drive
8716	Speed Bit Set, hex driver, 2-piece ball-end (2.0mm, 2.5mm), 1/4" drive
8716X	Speed Bit Set, hex driver, 3-piece ball-end (2.0mm, 2.5mm, 3.0mm), 1/4" drive
8715	Speed Bit Set, hex driver, 3-piece straight (1.5mm, 2.0mm, 2.5mm), 1/4" drive
8715X	Speed Bit Set, hex driver, 4-piece straight (1.5mm, 2.0mm, 2.5mm, 3.0mm), 1/4" drive
3415	Tool set with pouch (includes 1.5mm, 2.0mm, 2.5mm, 3.0mm, 3.5mm, 4mm drivers/ 4mm, 5mm, 5.5mm, 7mm and 8mm nut drivers/ 2mm, 4mm, and 5mm slotted screwdrivers/ #00 Phillips, #0 Phillips, and #1 Phillips screwdrivers/ 4mm and 8mm wrench/ driver handle)

TRX-4® Traxx™



8889	Bearing retainers, inner (2), outer (2)
8890	Drive wheel (1)
8885	Shock mounts (frame, left (2), frame, right (2))/ portal mounts (1 each, front (left & right), rear (left & right))
8888	Spring (4)
8887	Stub axle (1)
8886	Stub axle nut (4)
8891	Tension wheels (6)/ road wheels (4)
8881	Traxx™, front, left (assembled) (requires #8886 stub axle, #7061 GTR shock, & #8878 or #8895 rubber track)
8882	Traxx™, front, right (assembled) (requires #8886 stub axle, #7061 GTR shock, & #8878 or #8895 rubber track)

Mercedes-Benz G 500 4x4²**TRX4****MODEL 82096-4****4WD ELECTRIC
SCALE & TRAIL™ CRAWLER**

TQi 2.4GHz TRANSMITTER

TITAN 21T 550 MOTOR AND
XL-5 HV ELECTRONIC
SPEED CONTROL

GTS ALUMINUM SHOCKS

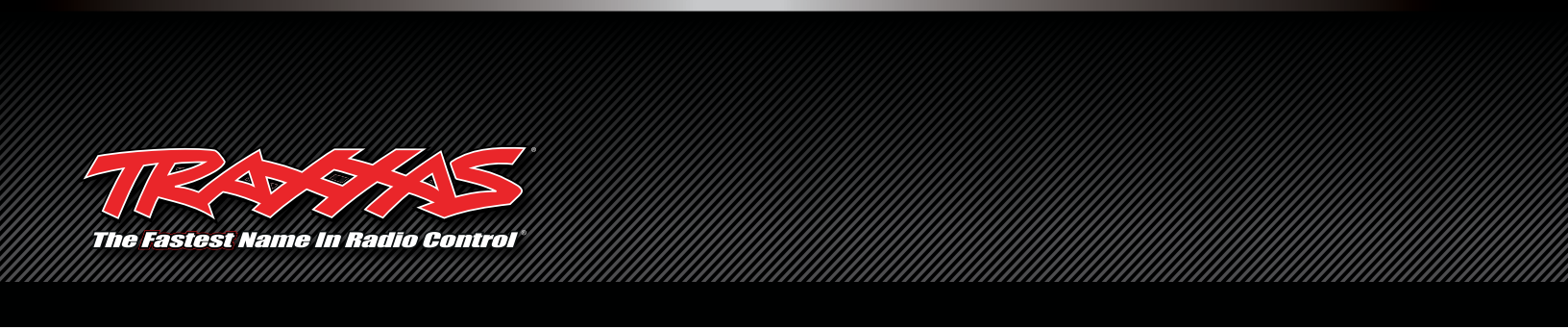
"Mercedes-Benz", ,  and the design of the enclosed product are subject to intellectual property protection owned by Daimler AG. They are used by Traxxas LP under license.

A STUNNING ACHIEVEMENT IN SCALE DETAIL AND REALISM

In 2015, Mercedes-Benz released the limited-production G 500 4x4² to stake its claim as the ultimate off-road vehicle. Outfitted with a powerful V8 engine, dynamic 4WD system, and military-grade portal axles, the G 500 4x4² had no equal. Traxxas honors the engineering masterpiece that is the G-Class with this highly-detailed RC replica. Based on the class-leading TRX-4®, the Traxxas Mercedes-Benz G 500 4x4² features portal axles, a high/low transmission, and locking differentials for superior all-terrain capability. The highly detailed body with unique wheels and tires makes this truck a fitting tribute to the legendary original.

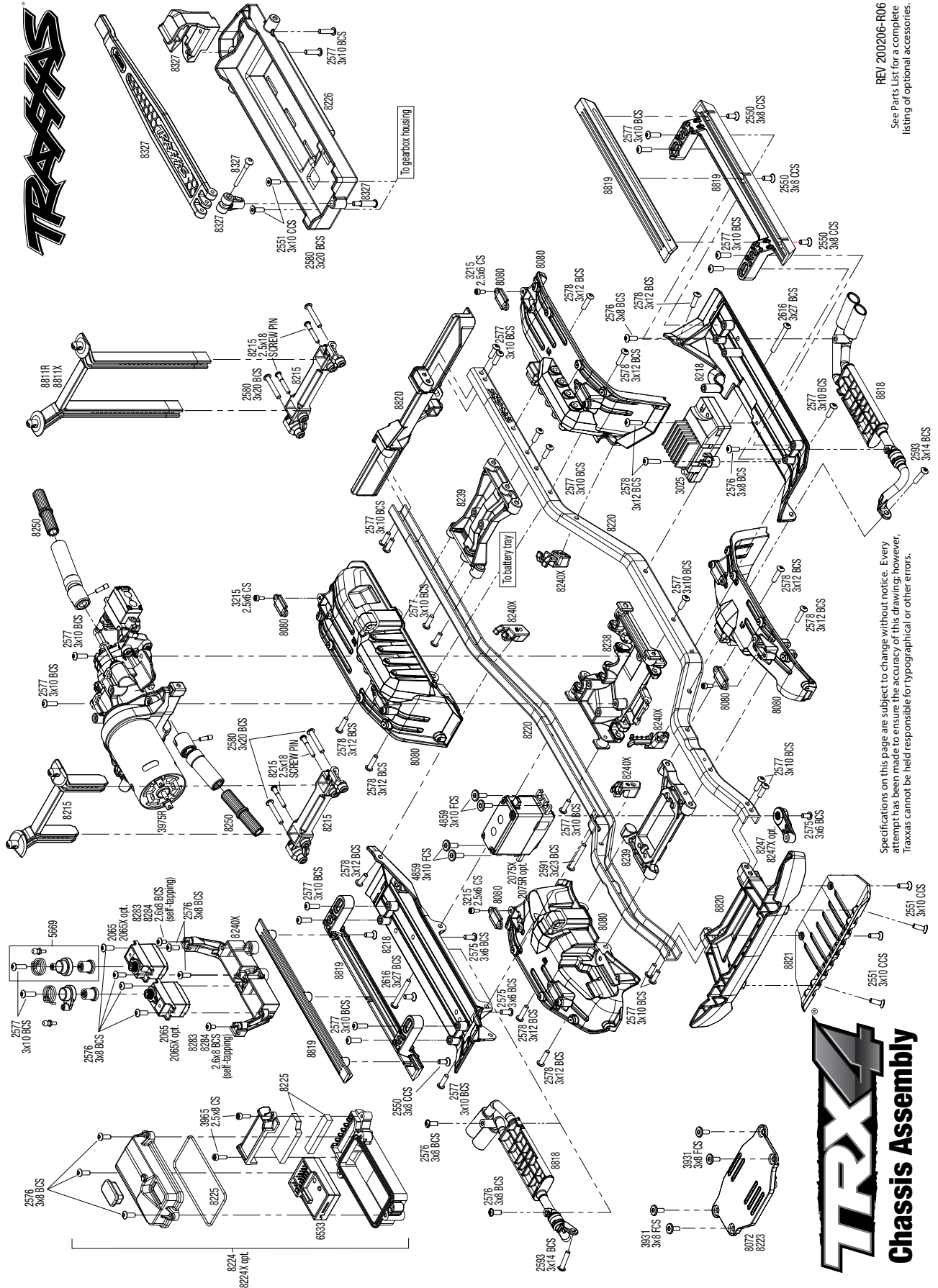


TRAXXAS
The Fastest Name In Radio Control



G 500 (82096-4)

EXPLODED VIEWS



REV 200206-R06
See Parts List for a complete listing of optional accessories.

Specifications on this page are subject to change without notice. Every attempt has been made to ensure the accuracy of this drawing; however, Traxxas cannot be held responsible for typographical or other errors.

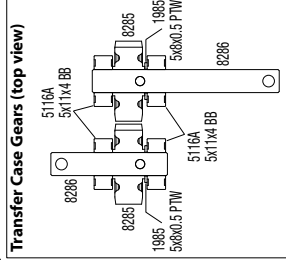
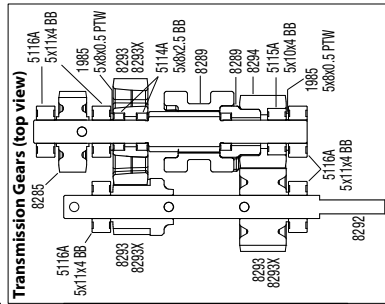
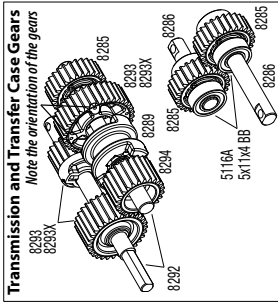
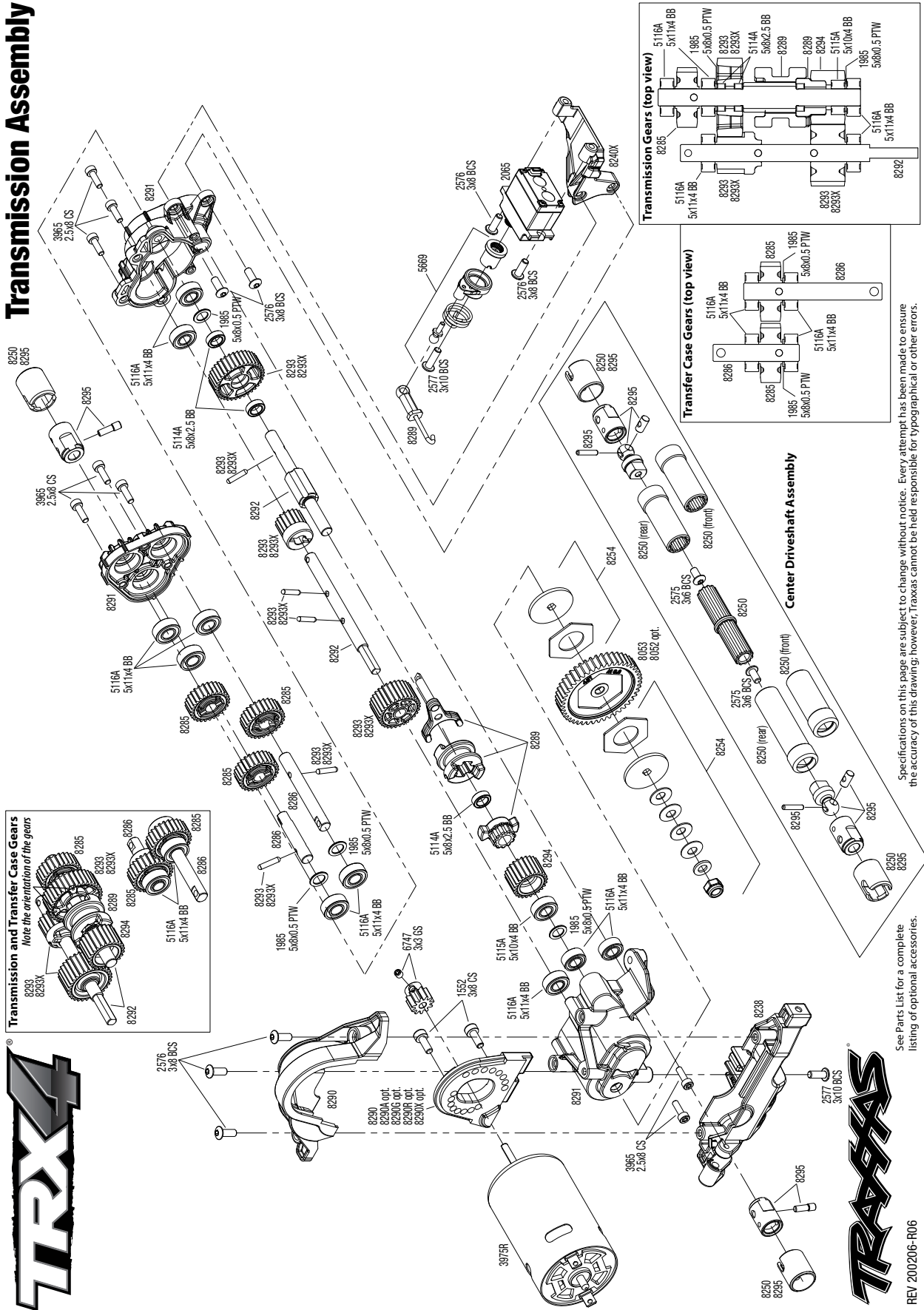


Questions? Call toll-free, 1-888-TRAXXAS

G 500 (82096-4)

EXPLODED VIEWS

Transmission Assembly



Specifications on this page are subject to change without notice. Every attempt has been made to ensure the accuracy of this drawing; however, Traxxas cannot be held responsible for typographical or other errors.

See Parts List for a complete listing of optional accessories.

Questions? Call toll-free, 1-888-TRAXXAS

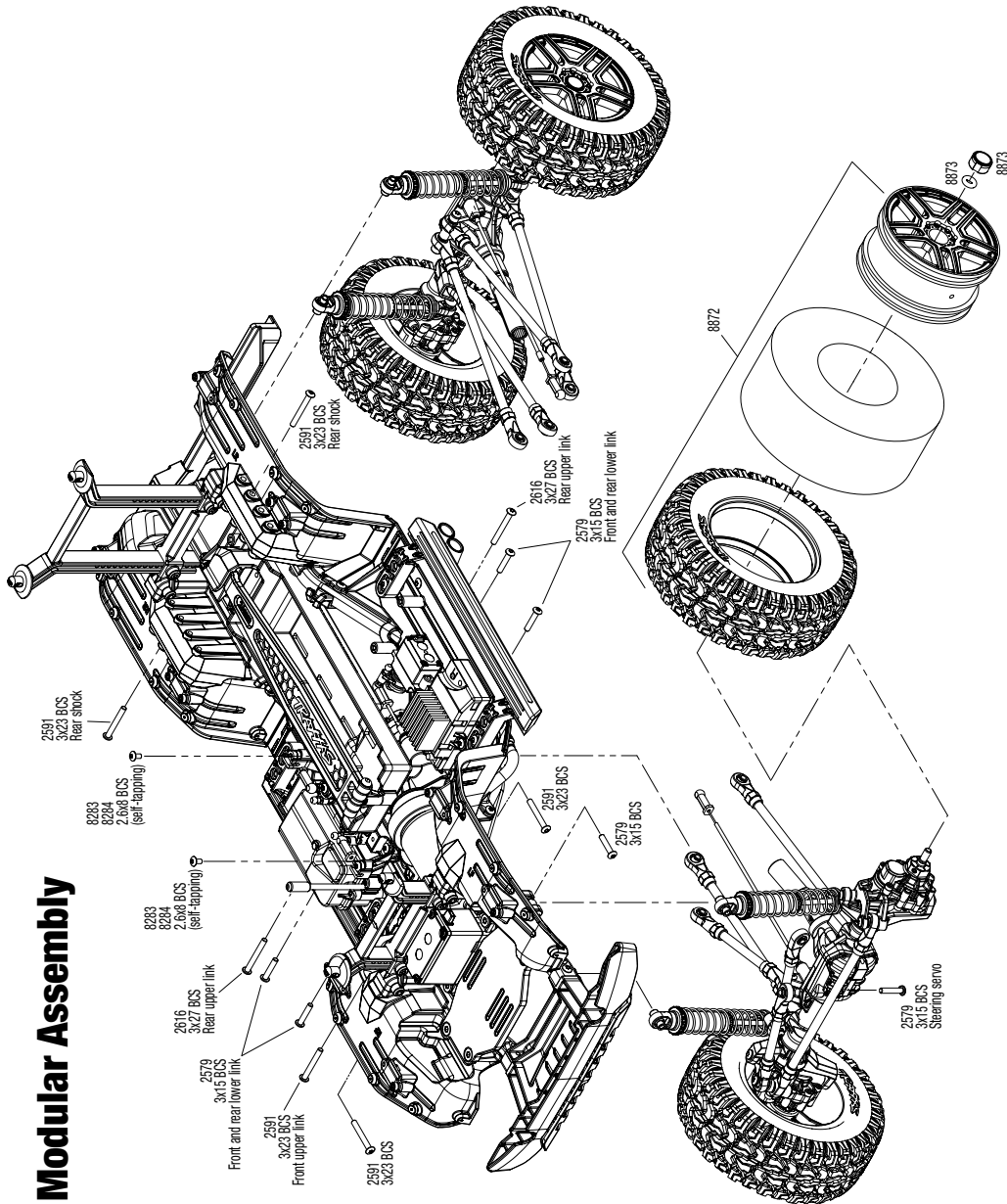


G 500 (82096-4)

EXPLODED VIEWS



Modular Assembly

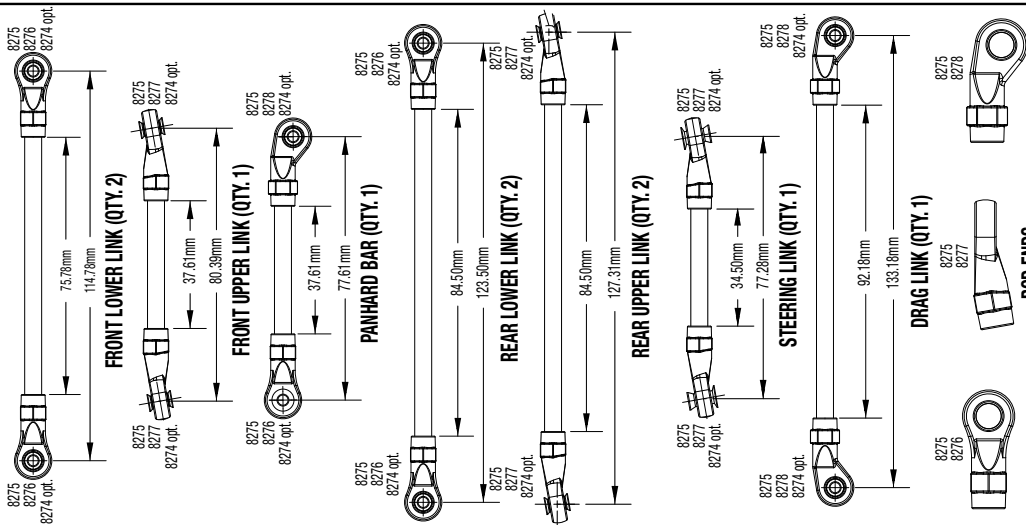


REV 200206-R06
Specifications on this page are subject to change without notice. Every attempt has been made to ensure the accuracy of this drawing; however, Traxxas cannot be held responsible for typographical or other errors.

See Parts List for a complete listing of optional accessories.



Link Dimensions



Questions? Call toll-free, 1-888-TRAXXAS

For standard hollow ball replacement, use part #6349.

PARTS SHOWN IN BOLD ARE OPTIONAL ACCESSORIES.

Part categories and individual part listings are arranged alphabetically.

Axle Components

8241	Axle housing, front
8242	Axle housing, intermediate (TRX-6™) or rear (TRX-4®)
8227	Axle mount set (complete) (front & rear) (for suspension links)
8228	Axle shaft, front (left) drive pin/ cross pin
8229	Axle shaft, front (right) drive pin/ cross pin
8060	Axle shaft, front, heavy duty (left & right) (requires #8064 front portal drive input gear)
8062	Axle shaft, front, heavy duty (left & right) portal drive input gear (machined) (2) (assembled)
8230	Axle shaft, rear (left)
8231	Axle shaft, rear (right)
8061	Axle shaft, rear, heavy duty (left & right) portal drive input gear, rear (machined)
8063	Axle, rear, heavy duty (left & right) (requires #8065 rear portal drive input gear)
8233	Cross pin (2) drive pin (2) (to rebuild front axle shafts)
8256	Portal drive axle mount, rear (left & right)
8256X	Portal drive axle mount, rear, 6061-T6 aluminum (blue-anodized) (left and right) 2.5x16 CS (4)
8256A	Portal drive axle mount, rear, 6061-T6 aluminum (charcoal gray-anodized) (left and right) 2.5x16 CS (4)
8256G	Portal drive axle mount, rear, 6061-T6 aluminum (green-anodized) (left and right) 2.5x16 CS (4)
8256R	Portal drive axle mount, rear, 6061-T6 aluminum (red-anodized) (left and right) 2.5x16 CS (4)
8252	Portal drive housing, inner, front (left & right) 2.5x4 BCS (6)
8253	Portal drive housing, inner, rear (left or right) (2)
8251	Portal drive housing, outer (front or rear) (2)
8064	Portal drive input gear, front (machined) (left or right) (requires #8060 front axle shaft)
8257	Portal drive input gear, front/ drive pin/ cross pin
8259	Portal drive input gear, rear
8065	Portal drive input gear, rear (machined) (left or right) (requires #8063 rear axle)
8258	Portal drive output gear, front or rear
8252X	Portal housings, inner (front), 6061-T6 aluminum (blue-anodized) (2) 3x12 BCS (2)
8252A	Portal housings, inner (front), 6061-T6 aluminum (charcoal gray-anodized) (2) 3x12 BCS (2)
8252G	Portal housings, inner (front), 6061-T6 aluminum (green-anodized) (2) 3x12 BCS (2)
8252R	Portal housings, inner (front), 6061-T6 aluminum (red-anodized) (2) 3x12 BCS (2)
8253X	Portal housings, inner (rear), 6061-T6 aluminum (blue-anodized) (2) 2.5x10 CS (2)
8253A	Portal housings, inner (rear), 6061-T6 aluminum (charcoal gray-anodized) (2) 2.5x10 CS (2)
8253G	Portal housings, inner (rear), 6061-T6 aluminum (green-anodized) (2) 2.5x10 CS (2)
8253R	Portal housings, inner (rear), 6061-T6 aluminum (red-anodized) (2) 2.5x10 CS (2)
8251X	Portal housings, outer, 6061-T6 aluminum (blue-anodized) (2) 2.5x10 CS (12)
8251A	Portal housings, outer, 6061-T6 aluminum (charcoal gray-anodized) (2) 2.5x10 CS (12)
8251G	Portal housings, outer, 6061-T6 aluminum (green-anodized) (2) 2.5x10 CS (12)
8251R	Portal housings, outer, 6061-T6 aluminum (red-anodized) (2) 2.5x10 CS (12)
8255A	Stub axle, extended (portal drive) (2)
8267	Weight, portal housing, brass (34 grams) (2) 2.5x8 CS (6) (requires #8251X, #8251R, #8251A, or #8251G outer portal housing)

Bearings & Bushings

5119A	Ball bearings, black rubber sealed (10x15x4mm) (2)
5120A	Ball bearings, black rubber sealed (12x18x4mm) (2)
5104A	Ball bearings, black rubber sealed (4x10x4mm) (2)
5115A	Ball bearings, black rubber sealed (5x10x4mm) (2)
5116A	Ball bearings, black rubber sealed (5x11x4mm) (2)
5114A	Ball bearings, black rubber sealed (5x8x2.5mm) (2)
5117A	Ball bearings, black rubber sealed (6x12x4mm) (2)
5180A	Ball bearings, black rubber sealed (6x13x5mm) (2)
5103A	Ball bearings, black rubber sealed (7x14x5mm) (2)

Body (1969 Chevrolet Blazer)

9112	Body, Chevrolet Blazer (1969 - 1970) (clear, requires painting) (includes grille, side mirrors, door handles, windshield wipers, decals, window masks)
-------------	---------------------------------------------------------------------------------------------------------------------------------------------------------------

9112X	Body, Chevrolet Blazer (1969), complete (black) (includes grille, side mirrors, door handles, windshield wipers, front & rear bumpers, decals)
9125	Bumper pads/ bumper guards (chrome)/ 2.5x10 BCS (4)/ 2.7mm drill bit (fits #9126 or #9127 front bumpers)
9127	Bumper, front (chrome)/ bumper mount/ 3x10 BCS (2)
9124	Bumper, rear (chrome)/ bumper mount/ 3x10 BCS (2)
9113	Decal sheets, Chevrolet Blazer (1969 -1972)
9115	Door handles, left, right, and rear/ retainers (3)/ windshield wipers, left & right/ retainer (1)/ fuel cap/ fuel flange/ fuel cap mount/ 1.6x5 BCS (self-tapping) (7)/ 2.6x8 BCS (1)
9123	Grille, Chevrolet Blazer (1969 - 1970)/ grille retainers (5)/ headlight housing (2)/ headlight lens (2)/ turn signal lens (2)/ hood emblem/ hood emblem mount/ 2.6x8 BCS (5)/ 2.5x6 BCS (4)/ 1.6x5 BCS (self-tapping) (2) (fits #9112 body)
9116	Marker light housing (4)/ marker light mount (4)/ marker light lens (red (2), amber (2))/ reverse lens (left & right)/ 1.6x5 BCS (self-tapping) (8)
9121	Mirrors, side, chrome (left & right)/ o-rings (4)/ body clips (4) (fits #9112 body)
9122	Tail light housing, black (2)/ lens (2)/ retainers (left & right)/ 2.6x8 BCS (self-tapping) (4)

Body (1972 Chevrolet Blazer)

9111	Body, Chevrolet Blazer (1972) (clear, requires painting) (includes grille, side mirrors, side trim, door handles, windshield wipers, decals, window masks)
9111X	Body, Chevrolet Blazer (1972), complete (blue) (includes grille, side mirrors, door handles, windshield wipers, front & rear bumpers, decals)
9125	Bumper pads/ bumper guards (chrome)/ 2.5x10 BCS (4)/ 2.7mm drill bit (fits #9126 or #9127 front bumpers)
9126	Bumper, front (chrome)/ bumper mount/ lens (left and right) (2)/ lens mount (left and right) (2)/ 3x10 BCS (2)/ 2.6x6 BCS (4)
9124	Bumper, rear (chrome)/ bumper mount/ 3x10 BCS (2)
9113	Decal sheets, Chevrolet Blazer (1969 -1972)
9115	Door handles, left, right, and rear/ retainers (3)/ windshield wipers, left & right/ retainer (1)/ fuel cap/ fuel flange/ fuel cap mount/ 1.6x5 BCS (self-tapping) (7)/ 2.6x8 BCS (1)
9120	Grille, Chevrolet Blazer (1972)/ grille retainers (5)/ headlight housing (2)/ lens (2)/ 2.6x8 BCS (5)/ 2.5x6 BCS (4) (fits #9111 body)
9116	Marker light housing (4)/ marker light mount (4)/ marker light lens (red (2), amber (2))/ reverse lens (left & right)/ 1.6x5 BCS (self-tapping) (8)
9118	Mirrors, side, chrome (left & right)/ o-rings (4)/ body clips (4) (fits #9111 body)
9117	Side trim, Chevrolet Blazer (1972), left & right/ rear trim, upper & lower/ retainers, left, right & rear/ 2.6x8 BCS (23)/ 1.6x5 BCS (self-tapping) (5) (fits #9111 body)
9119	Tail light housing, chrome (2)/ lens (2)/ retainers (left & right)/ 2.6x8 BCS (self-tapping) (4)

Body (1979 Chevrolet Blazer)

8130	Body, Chevrolet Blazer (1979) (clear, requires painting)/ window masks
8130G	Body, Chevrolet Blazer (1979) (orange) (requires grille, side mirrors, door handles, windshield wipers, decals)
8130A	Body, Chevrolet Blazer (1979) (red) (requires grille, side mirrors, door handles, windshield wipers, decals)
8130X	Body, Chevrolet Blazer (1979), complete (orange) (includes grille, side mirrors, door handles, windshield wipers, front & rear bumpers, decals)
8130R	Body, Chevrolet Blazer (1979), complete (red) (includes grille, side mirrors, door handles, windshield wipers, front & rear bumpers, decals)
8131	Decal sheet, Chevrolet Blazer (1979)
8132	Door handles, left, right & rear tailgate/ windshield wipers, left & right/ retainers (2)/ 1.6x5 BCS (self-tapping) (7) (fits #8130 body)
8134	Grille, Chevrolet Blazer (1979)/ grille retainers (4)/ headlight housing (2)/ lens (2)/ 2.6x8 BCS (4)/ 2.5x6 BCS (2) (fits #8130 body)
8133X	Mirrors, side (folding) (fits #8130 body)
8133	Mirrors, side, chrome (left & right)/ o-rings (4)/ body clips (4) (fits #8130 body)
8135	Tail lights, left & right (assembled)/ tail light retainers, left & right/ side marker lights (assembled) (2)/ side marker retainers (2)/ mounting tape (2)/ 1.6x5 BCS (self-tapping) (4)/ 2.6x8 BCS (2) (fits #8130 body)

G 500 (82096-4)**Body (1979 Ford Bronco)**

8010	Body, Ford Bronco (1979) (clear, requires painting)/ decals/ window masks/ tailgate panel insert/ adhesive foam tape (2)
8010X	Body, Ford Bronco (1979), complete (black) (includes front and rear bumpers, push bar, rear body mount, grille, side mirrors, door handles, windshield wipers, spare tire mount, red and sunset decals) (requires #8072 inner fenders)
8078R	Decal sheet, Bronco, red (fits #8010 body)
8075	Door handles, left & right/ windshield wipers, left & right/ retainers (3)/ 1.6x5 BCS (self-tapping) (4) (fits #8010 body)
8070	Grille, Ford Bronco/ grille retainers (6)/ headlight housing (2)/ lens (2)/ 2.6x8 BCS (6)/ 2.5x6 BCS (2) (fits #8010 body)
8073	Mirrors, side, black (left & right)/ retainers (2)/ body clips (4) (fits #8010 body)
8073X	Mirrors, side, chrome (left & right)/ retainers (2)/ body clips (4) (fits #8010 body)
8076	Side trim, left & right (chrome)/ retainers/ LED lens/ 2.6x8 BCS (24) (fits #8010 body)
8074	Spare tire mount/ mounting bracket/ spare tire cover/ mounting hardware
8077	Tailgate panel insert (clear, requires painting)/ adhesive foam tape (2) (fits #8010 body)
8071	Tailgate panel/ tail light lens (2) (left & right) (fits #8010 body)

Body (Land Rover Defender)

8011	Body, Land Rover® Defender® (clear, trimmed, requires painting)/ window masks/ decal sheet
8011A	Body, Land Rover® Defender®, adventure orange (complete with ExoCage, inner fenders, fuel canisters, and jack)
8011X	Body, Land Rover® Defender®, graphite silver (painted)/ decals
8011R	Body, Land Rover® Defender®, red (painted)/ decals
8012	Decals, Land Rover® Defender®
8016	ExoCage (complete with assembly hardware; #8015 roof basket sold separately) (fits #8011 body)
8019	Fender brace, inner, front & rear
8017	Fender flares, front & rear (2 each) (fits #8011 or #8211 body)
8018	Fenders, inner, front & rear (2 each)/ rock light covers (8)
8013	Grille, Land Rover® Defender®/ grille mount (3)/ headlight housing (2)/ lens (2)/ headlight mount (2) (fits #8011 body)
8020	Mirrors, side (left & right)/ snorkel/ mounting hardware (fits #8011 body)
8015	Roof basket (requires #8016 ExoCage) (fits #8011 body)
8021	Spare tire mount/ mounting bracket/ screw pins (2)
8014	Tail light housing (2)/ lens (2)/ decals (left & right) (fits #8011 body)

Body (Mercedes-Benz® G 500®)

8811	Body, Mercedes-Benz® G 500® 4x4 ² (clear, requires painting)/ decals/ window masks (includes rear body post, grille, side mirrors, door handles, & windshield wipers)
8811R	Body, Mercedes-Benz® G 500® 4x4 ² , complete (black) (includes rear body post, grille, side mirrors, door handles, & windshield wipers)
8811X	Body, Mercedes-Benz® G 500® 4x4 ² , complete (blue) (includes rear body post, grille, side mirrors, door handles, & windshield wipers)
8812	Decals, Mercedes-Benz® G 500® 4x4 ²
8813X	Grille, Mercedes-Benz® G 500® 4x4 ² / grille mount/ grille insert/ headlight lens (2)/ headlight reflector (2)/ reflector lens (2)/ bumperette front (2)/ bumperette mount (2)/ turn signal housing (2)/ turn signal housing retainer (2)/ turn signal lens
8817	Mirrors, side, black (left & right)/ o-rings (4)/ windshield wipers, left, right, & rear/ wiper retainers (2)/ body clips (4)/ 1.6x5 BCS (self-tapping) (3)
8822	Roof visor/ visor retainer/ visor lens (2)/ 2.6x6 BCS (3)/ 3x4 GS (4)
8816X	Side marker light housing (2)/ mount (2)/ lens (2)/ 1.6x7 BCS (self-tapping) (2)
8814X	Tail light lens (2)/ tail light housing (2)/ tail light housing mount (2)/ reverse lens (2)/ 1.6x5 BCS (4) (left & right)

Body (Tactical Unit)

8211X	Body, Tactical Unit, night camo (painted)/ decals
8019	Fender brace, inner, front & rear
8017	Fender flares, front & rear (2 each) (fits #8011 or #8211 body)
8018	Fenders, inner, front & rear (2 each)/ rock light covers (8)
8020	Mirrors, side (left & right)/ snorkel/ mounting hardware (fits #8011 body)
8021	Spare tire mount/ mounting bracket/ screw pins (2)

Body (TRX-4® Sport)

8112	Body with camper, TRX-4® Sport (clear, trimmed, requires painting)/ window masks/ decal sheet
8111R	Body, TRX-4® Sport (clear, trimmed, die-cut for LED light kit, requires painting)/ window masks/ decal sheet
8111	Body, TRX-4® Sport (clear, trimmed, requires painting)/ window masks/ decal sheet

8113	Decal sheet, TRX-4® Sport
8120X	Expedition rack, complete (includes traction boards, shovel, axe, jack, fire extinguisher, fuel cans, & mounting hardware) (fits #8111 or #8111R body)
8120	Expedition rack/ mounting hardware (fits #8111 or #8111R body)
8116	Grille/ grille retainers (2)/ grille mount/ lens (2)/ 2.5x8 BCS (6) (fits #8111 or #8112 body)
8119	Mirrors, side (left & right)/ snorkel/ mounting hardware (fits #8111 or #8112 body)
8122	Shovel/ axe/ accessory mount/ mounting hardware
8118	Spare tire mount/ mounting hardware
8117	Tailgate panel/ tailgate retainers (2)/ tailgate mount/ tail light lens (2) (left & right)/ 2.5x8 BCS (4) (fits #8111 or #8112 body)
8121X	Traction boards, blue/ mounting hardware
8121G	Traction boards, green/ mounting hardware
8121A	Traction boards, yellow/ mounting hardware
8121	Traction boards/ mounting hardware

Body Accessories

1926	Antenna caps, vinyl (2)/ antenna spool
1726	Antenna, tube (1)/ vinyl antenna cap (1)/ wire retainer (1)
1834	Body clips (12) (standard size)
1834A	Body clips, black (12) (standard size)
3934	Body clips, heavy duty (12)
3934A	Body clips, heavy duty (black) (12)
8215	Body mounts & posts, front & rear (complete set)
8115	Body posts, front & rear
4915	Body washers, foam adhesive (10)
2514	Decal sheet, racing sponsors
8081	Fender extensions (4)/ 3x8 flat-head screws (24) (requires #8080 narrow inner fenders)
8080	Fenders, inner (narrow), front & rear (2 each)/ rock light covers (8)/ battery plate/ 3x8 flat-head screws (4)
8072	Fenders, inner, front & rear (2 each)/ rock light covers (8)/ battery plate/ 3x8 flat-head screws (4)
9950	Official Team Traxxas® racing decal set (flag logo/ 6-color)

Bumpers & Skidplates

8234	Bumper D-Rings, grey (front or rear)/ 2x12 CS (4)
8234R	Bumper D-rings, red (front or rear)/ 2.0x12 CS (4)
8067	Bumper mounts, front & rear
8067X	Bumper mounts, front & rear/ bumper mount, rear (offset)
8237	Bumper mounts, front & rear/ screw pins (4)
8124	Bumper, front (178mm wide)/ winch/ 2.6x8 BCS (1)
8137	Bumper, front (chrome)/ bumper mount/ 3x10 BCS (2)
8235	Bumper, front/ winch
8236	Bumper, rear
8125	Bumper, rear (176mm wide)
8136	Bumper, rear (chrome)/ bumper mount/ 3x8 BCS (2)
8820	Bumpers, front & rear
8821	Skid plate/ 3x10 CCS (4)
8238	Skidplate/ lower gear cover

Chassis & Attachments

8215	Body mounts & posts, front & rear (complete set)
8224	Box, receiver (sealed)/ wire cover/ foam pads/ silicone grease/ 3x8 BCS (5)/ 2.5x8 CS (2)
8058	Chassis conversion kit, TRX-4® (long to short wheelbase) (includes rear upper & lower suspension links, front & rear inner fenders, short female half shaft, battery tray, 3x8mm FCS (4))
8057	Chassis conversion kit, TRX-4® (short to long wheelbase) (includes rear upper & lower suspension links, front & rear shock towers, long female half shaft)
8220	Chassis rails, 448mm (steel) (left & right)
8818	Exhaust pipes (left & right)
8081	Fender extensions (4)/ 3x8 flat-head screws (24) (requires #8080 narrow inner fenders)
8080	Fenders, inner (narrow), front & rear (2 each)/ rock light covers (8)/ battery plate/ 3x8 flat-head screws (4)
8072	Fenders, inner, front & rear (2 each)/ rock light covers (8)/ battery plate/ 3x8 flat-head screws (4)
8218	Floor pans, left & right
8224X	Receiver box cover (for use only with #8224 receiver box & #2260 BEC)/ foam pads/ seals/ silicone grease
8819	Rock sliders/ rock slider caps (left & right)
8225	Seal kit, receiver box (includes o-ring, seals, and silicone grease)
8240X	Servo mount, 2-speed/ servo mount, T-Lock/ wire clips
8239	Servo mount, steering/ chassis crossmember
8216	Shock towers, front & rear (left & right)
8226	Tray, battery

Differential Components

8281	Carrier, differential/ differential slider/ T-Lock fork
8280A	Differential cover, front or rear (black)
8280X	Differential cover, front or rear (chrome-plated)
8280	Differential cover, front or rear (grey)
8280R	Differential cover, front or rear (red)
8195	Differential, locking, front and rear (assembled) (includes T-Lock cables and servo)
8282	Gear set, differential (output gears (2), spider gears (4), spider gear shaft (2))
8295	Output drive, transmission or differential (pin retainer (1)/ drive cup (1)/ drive ball (1)/ drive pin (1)/ 3x11 screw pin (1)/ cross pin (black) (1) 3x6 BCS with threadlock (1))
8279	Ring gear, differential/ pinion gear, differential
8279R	Ring gear, differential/ pinion gear, differential (machined)
8287	Ring gear, differential/ pinion gear, differential (overdrive, machined)
8288	Ring gear, differential/ pinion gear, differential (underdrive, machined)
8297	Spool/ differential housing plug/ e-clip

Driveline Components

8250	Half shafts, center (internal splined, front (2) & internal splined, rear (2)/ external splined (2)/ pin retainer (4)) (plastic parts only)
8255A	Stub axle, extended (portal drive) (2)
8269	Wheel hubs, 12mm hex (2)/ stub axle pins (2) (steel)
8269X	Wheel hubs, 12mm hex, 6061-T6 aluminum (blue-anodized) (4)/ screw pin (4)
8269A	Wheel hubs, 12mm hex, 6061-T6 aluminum (charcoal gray-anodized) (4)/ screw pin (4)
8269G	Wheel hubs, 12mm hex, 6061-T6 aluminum (green-anodized) (4)/ screw pin (4)
8269R	Wheel hubs, 12mm hex, 6061-T6 aluminum (red-anodized) (4)/ screw pin (4)

Hardware

1552	Backplate screws (3x8mm cap-head machine) (6)/washers (6)/ wrench
1834	Body clips (12) (standard size)
1834A	Body clips, black (12) (standard size)
3934	Body clips, heavy duty (12)
3934A	Body clips, heavy duty (black) (12)
8167X	Hardware kit, stainless steel, beadlock rings (contains stainless steel hardware for 4 wheels)
8298	Hardware kit, stainless steel, TRX-4® (contains all stainless steel hardware used on TRX-4)
8151	Hardware kit, stainless steel, TRX-4® High Lift Kit (contains all stainless steel hardware used on TRX-4® Long Arm Lift Kit)
5476X	Hex wrenches; 1.5mm, 2mm, 2.5mm, 3mm, 2.5mm ball
3647	Nuts, 4mm flanged nylon locking (steel, serrated) (8)
8347	Nuts, 4mm flanged nylon locking, serrated (black) (10)
1747R	Nuts, aluminum, flanged, serrated (4mm) (blue-anodized) (4)
1747G	Nuts, aluminum, flanged, serrated (4mm) (green-anodized) (4)
1747P	Nuts, aluminum, flanged, serrated (4mm) (pink-anodized) (4)
1985	PTFE-coated washers, 5x8x0.5mm (20) (use with ball bearings)
8221	Screw pin, 3x10mm (6)
3229	Screws, 2.5x10mm cap-head machine (hex drive) (6)
2523	Screws, 2.5x10mm countersunk machine (hex drive) (6)
3236	Screws, 2.5x12mm cap-head machine (6)
2618	Screws, 2.5x16mm cap-head machine (6)
3215	Screws, 2.5x6mm cap-head machine (hex drive) (6)
2617	Screws, 2.5x8mm button-head machine (hex drive) (6)
3965	Screws, 2.5x8mm cap-head machine (6)
2524	Screws, 2.5x8mm countersunk machine (hex drive) (6)
8299	Screws, 2.6x12mm button-head, self-tapping (hex drive) (6)
8167	Screws, 2x10mm cap-head, self-tapping (hex drive) (10)
2564	Screws, 2x8mm cap-head machine (hex drive) (6)
2577	Screws, 3x10mm button-head machine (hex drive) (6)
4859	Screws, 3x10mm flat-head machine (hex drive) (4)
2578	Screws, 3x12mm button-head machine (hex drive) (6)
2579	Screws, 3x15mm button-head machine (hex drive) (6)
2591	Screws, 3x23mm button-head machine (hex drive) (6)
2581	Screws, 3x25mm button-head machine (hex drive) (6)
2616	Screws, 3x27mm button-head machine (hex drive) (6)
2582	Screws, 3x30mm button-head machine (hex drive) (6)
2575	Screws, 3x6mm button-head machine (hex drive) (6)
3932	Screws, 3x6mm flat-head machine (hex drive) (6)
2576	Screws, 3x8mm button-head machine (hex drive) (6)
3931	Screws, 3x8mm flat-head machine (hex drive) (6)
3933	Screws, 4x16mm button-head machine (hex drive) (6)

LED Light Accessories

8031	3-in-1 wire harness, LED light kit
8089	4-in-2 wire harness, LED light kit
8028	LED lights, power supply (regulated, 3V, 0.5-amp)/ 3-in-1 wire harness
8026X	LED rock light kit, TRX-4®/TRX-6™ (requires #8028 power supply and #8018, #8072, or #8080 inner fenders)

LED Lights (1979 Chevrolet Blazer)

8039	LED light set (contains headlights, tail lights, side marker lights, distribution block (fits #8130 body, requires #8028 power supply))
8038	LED light set, complete with power supply (contains headlights, tail lights, side marker lights, distribution block, and power supply) (fits #8130 body)

LED Lights (1979 Ford Bronco)

8036	LED light set (contains headlights, tail lights, side marker lights, & distribution block) (fits #8010 body, requires #8028 power supply)
8035	LED light set, complete with power supply (contains headlights, tail lights, side marker lights, & distribution block) (fits #8010 body)
8037	LED lights, high/low switch (for #8035 or #8036 LED light kits)

LED Lights (Land Rover Defender)

8027	LED headlight/tail light kit (fits #8011 body, requires #8028 power supply)
8025	LED light bar (Rigid®), TRX-4 (requires #8028 power supply)
8029	LED light bar kit (Rigid®)/power supply, TRX-4®
8030	LED light set, complete (contains rock light kit, LED light bar (Rigid®), LED headlight/tail light kit, power supply, & 3-in-1 wire harness) (fits #8011 body)

LED Lights (Mercedes-Benz® G 500® 4x4²)

8899	LED light set (contains headlights, tail lights, roof lights, and distribution block) (fits #8811 or #8825 body, requires #8028 power supply)
8898	LED light set, complete with power supply (contains headlights, tail lights, roof lights, & distribution block) (fits #8811 or #8825 body)

LED Lights (TRX-4® Sport)

8086	LED expedition rack scene light kit (fits #8111 body, requires #8028 power supply)
8084	LED headlight/tail light kit (fits #8111 or #8112 body, requires #8028 power supply)
8088	LED light bar, front bumper (fits #8124 front bumper, requires #8028 power supply)
8087	LED light bar, roof lights (fits #8111 body, requires #8028 power supply)
8085	LED light set, complete with power supply (contains headlights, tail lights, & distribution block) (fits #8111 or #8112 body)

Long Arm Lift Kit

8162X	Body, GTS shock, long (aluminum, blue-anodized) (1) (for use with #8140X TRX-4® Long Arm Lift Kit)
8162R	Body, GTS shock, long (aluminum, red-anodized) (1) (for use with #8140R TRX-4® Long Arm Lift Kit)
8162	Body, GTS shock, long (silver aluminum) (1) (for use with #8140 TRX-4® Long Arm Lift Kit)
8148	Cable, T-lock (extra long) (for use with TRX-4® Long Arm Lift Kit)
8147	Cable, T-lock (medium) (for use with TRX-4® Long Arm Lift Kit)
8150	Driveshaft extension kit, center (includes internal splined, x-long (2), internal splined, long (1) and internal splined, medium (1)) (for use with TRX-4® Long Arm Lift Kit)
8140	Long Arm Lift Kit, TRX-4®, complete
8140X	Long Arm Lift Kit, TRX-4®, complete (includes blue powder coated links, blue-anodized shocks)
8140R	Long Arm Lift Kit, TRX-4®, complete (includes red powder coated links, red-anodized shocks)
8149	Rod ends, extended (standard (4), angled (4))/ hollow balls (8) (for use with TRX-4® Long Arm Lift Kit)
8141	Servo mount, steering (for use with TRX-4® Long Arm Lift Kit)
8161	Shock shaft, 3x57mm (GTS) (2) (includes bump stops) (for use with TRX-4® Long Arm Lift Kit)
8160X	Shocks, GTS, aluminum (blue-anodized) (assembled without springs) (4) (for use with #8140X TRX-4® Long Arm Lift Kit)
8160R	Shocks, GTS, aluminum (red-anodized) (assembled without springs) (4) (for use with #8140R TRX-4® Long Arm Lift Kit)
8160	Shocks, GTS, silver aluminum (assembled without springs) (4) (for use with #8140 TRX-4® Long Arm Lift Kit)
8153	Springs, shock, long (natural finish) (GTS) (0.29 rate, white stripe) (for use with TRX-4® Long Arm Lift Kit)
8154	Springs, shock, long (natural finish) (GTS) (0.39 rate, orange stripe) (for use with TRX-4® Long Arm Lift Kit)

G 500 (82096-4)

8155	Springs, shock, long (natural finish) (GTS) (0.47 rate) (included with TRX-4® Long Arm Lift Kit)
8156	Springs, shock, long (natural finish) (GTS) (0.54 rate, green stripe) (for use with TRX-4® Long Arm Lift Kit)
8157	Springs, shock, long (natural finish) (GTS) (0.62 rate, blue stripe) (for use with TRX-4® Long Arm Lift Kit)
8146X	Steering link, 5x117mm (1)/ draglink, 5x60mm (1)/ panhard link, 5x63mm (blue powder coated steel) (assembled with hollow balls) (for use with #8140X TRX-4® Long Arm Lift Kit)
8146R	Steering link, 5x117mm (1)/ draglink, 5x60mm (1)/ panhard link, 5x63mm (red powder coated steel) (assembled with hollow balls) (for use with #8140R TRX-4® Long Arm Lift Kit)
8144X	Suspension link, front upper, 5x68mm (1) (blue powder coated steel) (assembled with hollow balls) (for use with #8140X TRX-4® Long Arm Lift Kit)
8144R	Suspension link, front upper, 5x68mm (1) (red powder coated steel) (assembled with hollow balls) (for use with #8140R TRX-4® Long Arm Lift Kit)
8144	Suspension link, front upper, 5x68mm (1) (steel) (assembled with hollow balls) (for use with #8140 TRX-4® Long Arm Lift Kit)
8143	Suspension links, front lower (2) (5x104mm, steel) (assembled with hollow balls) (for use with #8140 TRX-4® Long Arm Lift Kit)
8143X	Suspension links, front lower, blue (2) (5x104mm, powder coated steel) (assembled with hollow balls) (for use with #8140X TRX-4® Long Arm Lift Kit)
8143R	Suspension links, front lower, red (2) (5x104mm, powder coated steel) (assembled with hollow balls) (for use with #8140R TRX-4® Long Arm Lift Kit)
8145	Suspension links, rear lower (2) (5x115mm, steel) (assembled with hollow balls) (for use with #8140 TRX-4® Long Arm Lift Kit)
8145X	Suspension links, rear lower, blue (2) (5x115mm, powder coated steel) (assembled with hollow balls) (for use with #8140X TRX-4® Long Arm Lift Kit)
8145R	Suspension links, rear lower, red (2) (5x115mm, powder coated steel) (assembled with hollow balls) (for use with #8140R TRX-4® Long Arm Lift Kit)
8142	Suspension links, rear upper (2) (5x115mm, steel) (assembled with hollow balls) (for use with #8140 TRX-4® Long Arm Lift Kit)
8142X	Suspension links, rear upper, blue (2) (5x115mm, powder coated steel) (assembled with hollow balls) (for use with #8140X TRX-4® Long Arm Lift Kit)
8142R	Suspension links, rear upper, red (2) (5x115mm, powder coated steel) (assembled with hollow balls) (for use with #8140R TRX-4® Long Arm Lift Kit)
8172	Tires and wheels, assembled (Method 105 2.2" black chrome beadlock wheels, Canyon Trail 5.3x2.2" tires, foam inserts) (1 left, 1 right)
8181	Tires and wheels, assembled, glued (TRX-4® Sport 2.2" wheels, Canyon Trail 5.3x2.2" tires) (2)
8170	Tires, Canyon Trail 5.3x2.2" foam inserts (2)
8171	Wheels, Method 105 2.2" (black chrome, beadlock) (beadlock rings sold separately)
8171A	Wheels, Method 105 2.2" (charcoal gray, beadlock) (beadlock rings sold separately)
8180	Wheels, TRX-4® Sport 2.2 (2)

Motors & Electronics

1926	Antenna caps, vinyl (2)/ antenna spool
1726	Antenna, tube (1)/ vinyl antenna cap (1)/ wire retainer (1)
2262	BEC, complete (includes receiver box cover and seals)
2064	Gear set (for 2065 waterproof sub-micro servo)
2064X	Gear set, metal (for 2065X waterproof sub-micro servo)
2072X	Gear set, metal (for 2070, 2075 servos)
2252	Gear set, metal (for 2250, 2255 servos)
2072R	Gear set, metal, high speed (for 2070, 2075 servos)
8290X	Motor mount plate, 6061-T6 aluminum (blue-anodized)
8290A	Motor mount plate, 6061-T6 aluminum (charcoal gray-anodized)
8290G	Motor mount plate, 6061-T6 aluminum (green-anodized)
8290R	Motor mount plate, 6061-T6 aluminum (red-anodized)
3975R	Motor, Titan® 550, reverse rotation (21-turns/ 14 volts) (1)
8290	Plate, motor/ upper spur gear cover
2254	Servo case, aluminum (blue-anodized) (middle) (for 2250 servo)
2253	Servo case, aluminum (red-anodized) (middle) (for 2255 servo)
2251	Servo case, plastic (top, middle, bottom)/ gaskets/ hardware (for 2250, 2255 servos)
2063	Servo case/gaskets (for 2065 waterproof sub-micro servo)
2063X	Servo case/gaskets (for 2065X metal gear, waterproof, sub-micro servo)
5669	Servo horn (with built-in spring and hardware) (for Summit locking differential)
2075R	Servo, digital high-speed, metal gear (ball bearing), waterproof
2250	Servo, digital high-torque 330 coreless, metal gear (ball bearing), waterproof (#2262 external BEC and #8247X metal servo horn recommended for optimal performance)

2255	Servo, digital high-torque 400 brushless, metal gear (ball bearing), waterproof (#2262 external BEC and #8247 steel servo horn recommended for optimal performance)
2075X	Servo, digital high-torque, metal gear (ball bearing), waterproof
2065	Servo, sub-micro, waterproof
2065X	Servo, sub-micro, waterproof, metal gear
3025	XL-5HV 3s Electronic Speed Control, waterproof (low-voltage detection, fwd/rev/brake)
2261	Y-harness, BEC

Radio System, Batteries & Chargers

2849X	4000mAh 11.1v 3-Cell 25C LiPo Battery
2872X	5000mAh 11.1v 3-Cell 25C LiPo Battery
2842X	5000mAh 7.4v 2-Cell 25C LiPo Battery
2843X	5800mAh 7.4v 2-Cell 25C LiPo Battery
2869X	7600mAh 7.4v 2-Cell 25C LiPo Battery
2976	AC to DC converter, 40W
2938X	Adapter, Traxxas® iD® LiPo battery (adapts Traxxas iD batteries to separate balance ports)
1726	Antenna, tube (1)/ vinyl antenna cap (1)/ wire retainer (1)
2943	Battery charge indicators (green (4), blue (4), grey (4))
6548	Battery door, transmitter (replacement for #6516, 6517, 6528, 6529, 6530 transmitters)
8222	Battery strap (for 2200 2-cell and 1400 3-cell LiPo batteries)
2914	Battery, Power Cell AA Alkaline (4)
2923X	Battery, Power Cell, 3000mAh (NiMH, 7-C flat, 8.4V)
2940X	Battery, Series 3 Power Cell, 3300mAh (NiMH, 7-C flat, 8.4V)
2950X	Battery, Series 4 Power Cell, 4200mAh (NiMH, 7-C flat, 8.4V)
2960X	Battery, Series 5 Power Cell, 5000mAh (NiMH, 7-C flat, 8.4V)
2983	Battery/charger completer pack (includes #2969 2-amp NiMH peak detecting AC charger (1), #2923X 3000mAh 8.4V 7-cell NiMH battery (1))
2992	Battery/charger completer pack (includes #2970 iD® charger (1), #2843X 5800mAh 7.4V 2-cell 25C LiPo battery (1))
2994	Battery/charger completer pack (includes #2970 iD® charger (1), #2849X 4000mAh 11.1v 3-Cell 25C LiPo Battery (1))
2991	Battery/charger completer pack (includes #2972 Dual iD® charger (1), #2869X 7600mAh 7.4V 2-cell 25C LiPo battery (2))
2262	BEC, complete (includes receiver box cover and seals)
2975	Charger, DC, 4 amp (6 - 7 cell, 7.2 - 8.4 volt, NiMH)
2972	Charger, EZ-Peak® Dual, 100W, NiMH/LiPo with iD® Auto Battery Identification
2973	Charger, EZ-Peak® Live Dual, 200W, NiMH/LiPo with iD® Auto Battery Identification
2971	Charger, EZ-Peak® Live, 100W, NiMH/LiPo with iD® Auto Battery Identification
2970	Charger, EZ-Peak® Plus, 4 amp, NiMH/LiPo with iD® Auto Battery Identification
6525	Communication link, telemetry expander
6541	Connector, power tap (with cable) (long)/ wire tie
6512	Cover plate, Traxxas Link™ Wireless Module
2978	Fuse, charger, 5A (2) (for #2974, 2975, 2977)
2064	Gear set (for 2065 waterproof sub-micro servo)
2064X	Gear set, metal (for 2065X waterproof sub-micro servo)
2072X	Gear set, metal (for 2070, 2075 servos)
2252	Gear set, metal (for 2250, 2255 servos)
2072R	Gear set, metal, high speed (for 2070, 2075 servos)
2968X	LiPo cell voltage checker/balancer (includes #2938X adapter for Traxxas® iD® batteries)
2968	LiPo cell voltage checker/balancer (requires #2938X adapter for Traxxas® iD® batteries)
6561	Mount, telemetry expander
6535	Mount, temperature sensor (electric motors)/ wire tie/ thermal pad
6533	Receiver, micro, TQi 2.4GHz with telemetry & TSM (5-channel)
6552	Seal kit, expander box (includes o-ring, seals, and silicone grease)
6526	Sensor, auto-detectable, temperature
6527	Sensor, auto-detectable, voltage
6521	Sensor, temperature and voltage (long)
2254	Servo case, aluminum (blue-anodized) (middle) (for 2250 servo)
2253	Servo case, aluminum (red-anodized) (middle) (for 2255 servo)
2251	Servo case, plastic (top, middle, bottom)/ gaskets/ hardware (for 2250, 2255 servos)
2063	Servo case/gaskets (for 2065 waterproof sub-micro servo)
2063X	Servo case/gaskets (for 2065X metal gear, waterproof, sub-micro servo)
2075R	Servo, digital high-speed, metal gear (ball bearing), waterproof
2250	Servo, digital high-torque 330 coreless, metal gear (ball bearing), waterproof (#2262 external BEC and #8247X metal servo horn recommended for optimal performance)

2255	Servo, digital high-torque 400 brushless, metal gear (ball bearing), waterproof (#2262 external BEC and #8247 steel servo horn recommended for optimal performance)
2075X	Servo, digital high-torque, metal gear (ball bearing), waterproof
2065	Servo, sub-micro, waterproof
2065X	Servo, sub-micro, waterproof, metal gear
6553X	Telemetry expander 2.0 and GPS module 2.0, TQi radio system
6550X	Telemetry expander 2.0, TQi radio system (for use only with #6551X GPS module)
6551X	Telemetry GPS module 2.0, TQi radio system (for use only with #6550X telemetry expander)
6509R	TQi 2.4 GHz High Output radio system, 2-channel, Traxxas Link™ enabled, TSM (2-ch transmitter, 5-ch micro receiver)
6507R	TQi 2.4 GHz High Output radio system, 4-channel with Traxxas Link™ Wireless Module, TSM (4-ch transmitter, 5-ch micro receiver)
6530	Transmitter, TQi Traxxas Link™ enabled, 2.4GHz high output, 4-channel (transmitter only)
6511	Traxxas Link™ Wireless Module
2261	Y-harness, BEC

Ready-To-Race Model

82096-4	TRX-4® Scale and Trail™ Crawler with Mercedes-Benz® G 500® 4x4² Body: 1/10 Scale 4WD Electric Trail Truck. Ready-to-Drive® with TQi Traxxas Link™ Enabled 2.4GHz Radio System, XL-5 HV ESC (fwd/rev), and Titan® 550 motor.
---------	-----------------------------------------------------------------------------------------------------------------------------------------------------------------------------------------------------------------------------

Scale Details

8120X	Expedition rack, complete (includes traction boards, shovel, axe, jack, fire extinguisher, fuel cans, & mounting hardware) (fits #8111 or #8111R body)
8022T	Fuel canisters (black) (2)/ 3x8 FCS (1)
8022R	Fuel canisters (blue) (2)/ 3x8 FCS (1)
8022	Fuel canisters (red) (2)/ 3x8 FCS (1)
8022X	Fuel canisters (white) (2)/ 3x8 FCS (1)
8022A	Fuel canisters (yellow) (2)/ 3x8 FCS (1)
8023T	Jack (black) (1)/ 2x8 BCS (1)
8023	Jack (red) (1)/ 2x8 BCS (1)
8122	Shovel/ axe/ accessory mount/ mounting hardware
8121X	Traction boards, blue/ mounting hardware
8121G	Traction boards, green/ mounting hardware
8121A	Traction boards, yellow/ mounting hardware
8121	Traction boards/ mounting hardware

Shocks (GTS)

8266	Body, GTS shock (aluminum, silver-anodized) (1)
8266X	Body, GTS shock (hard-anodized, PTFE-coated aluminum) (1)
8266A	Body, GTS shock, aluminum (blue-anodized) (1)
8266G	Body, GTS shock, aluminum (green-anodized) (1)
8266R	Body, GTS shock, aluminum (red-anodized) (1)
8264	Caps & spring retainers, GTS shocks (upper cap (2)/ hollow balls (4)/ bottom cap (2)/ upper retainer (2)/ lower retainer (2))
8274	Hollow ball set, complete, TRX-4® (aluminum, PTFE-coated)
5475	Multi-tool (plastic)
8261	Piston, damper (red) (4)/ e-clips (8)
8262	Rebuild kit, GTS shocks (x-rings, o-rings, pistons, bushings, e-clips, and rod ends)
8263	Shock shaft, 3x47mm (GTS) (2)
8263T	Shock shaft, 3x47mm (GTS) (titanium nitride-coated) (2)
8260X	Shocks, GTS hard-anodized, PTFE-coated aluminum bodies with TiN shafts (assembled with spring retainers) (2)
8260A	Shocks, GTS, aluminum (blue-anodized) (assembled with spring retainers) (2)
8260G	Shocks, GTS, aluminum (green-anodized) (assembled with spring retainers) (2)
8260R	Shocks, GTS, aluminum (red-anodized) (assembled with spring retainers) (2)
8260	Shocks, GTS, silver aluminum (assembled with spring retainers) (2)
1666	Silicone shock oil (30 wt)

Slipper Clutch Components

8292	Input shaft/ output shaft (transmission)
8286	Output shafts (transfer case), front & rear
8254	Rebuild kit, slipper clutch (steel disc (2)/ friction insert (2)/ 4.0mm NL (1)/ spring washers (4), metal washer (1))
8249	Slipper eliminator plate

Springs

8042	Springs, shock (natural finish) (GTS) (0.22 rate, yellow stripe) (2)
8043	Springs, shock (natural finish) (GTS) (0.30 rate, white stripe) (2)
8044	Springs, shock (natural finish) (GTS) (0.39 rate, orange stripe) (2)
8041	Springs, shock (natural finish) (GTS) (0.45 rate) (2)
8040	Springs, shock (natural finish) (GTS) (0.54 rate, green stripe) (2)
8045	Springs, shock (natural finish) (GTS) (0.61 rate, blue stripe) (2)

Spur Gears & Pinion Gears

6746	Gear, 10-T pinion (32-p) (steel)/ set screw
6747	Gear, 11-T pinion (32-p) (steel)/ set screw
3942X	Gear, 12-T pinion (32-p), heavy duty (machined, hardened steel)/ set screw
3943X	Gear, 13-T pinion (32-p), heavy duty (machined, hardened steel)/ set screw
3944X	Gear, 14-T pinion (32-p), heavy duty (machined, hardened steel)/ set screw
3945X	Gear, 15-T pinion (32-p), heavy duty (machined, hardened steel)/ set screw
3946X	Gear, 16-T pinion (32-p), heavy duty (machined, hardened steel)/ set screw
3947X	Gear, 17-T pinion (32-p), heavy duty (machined, hardened steel)/ set screw
3948X	Gear, 18-T pinion (32-p), heavy duty (machined, hardened steel)/ set screw
3949X	Gear, 19-T pinion (32-p), heavy duty (machined, hardened steel)/ set screw
3950X	Gear, 20-T pinion (32-p), heavy duty (machined, hardened steel)/ set screw
3951X	Gear, 21-T pinion (32-p), heavy duty (machined, hardened steel)/ set screw
3952X	Gear, 22-T pinion (32-p), heavy duty (machined, hardened steel)/ set screw
6745	Gear, 9-T pinion (32-p) (steel)/ set screw
8052	Spur gear, 39-tooth (32-pitch)
8053	Spur gear, 45-tooth (32-pitch)

Steering Components

8232	Caster blocks (portal drive), left & right/ kingpin bushings (4)
8232X	Caster blocks, 6061-T6 aluminum (blue-anodized), left and right
8232A	Caster blocks, 6061-T6 aluminum (charcoal gray-anodized), left and right
8232G	Caster blocks, 6061-T6 aluminum (green-anodized), left and right
8232R	Caster blocks, 6061-T6 aluminum (red-anodized), left and right
2072X	Gear set, metal (for 2070, 2075 servos)
2072R	Gear set, metal, high speed (for 2070, 2075 servos)
8274	Hollow ball set, complete, TRX-4® (aluminum, PTFE-coated)
5355	Hollow ball, tall centered (2)/ tall offset hollow ball (2)/ bump steer adjustment shims; 3.5mm (2), 1.17mm (2)
8275	Rod end set, complete (standard (10), angled 10-degrees (8), offset (4))
8276	Rod ends (10)
8277	Rod ends, angled 10-degrees (8)
2742	Rod ends, long (6)/ hollow ball connectors (6)
8278	Rod ends, offset (4)
8247	Servo horn, steering
8247X	Servo horn, steering, metal/ 3x14 BCS (1)
2075R	Servo, digital high-speed, metal gear (ball bearing), waterproof
2075X	Servo, digital high-torque, metal gear (ball bearing), waterproof
5529	Shim set, 3x7x1mm (2), 3x6x0.5mm (4), 3x7x2mm (2)/ hollow balls, captured (4)
8246	Steering link, 5x60mm (1)/ draglink, 5x117mm (1) (steel)
8243	Suspension link, front, 5x100mm (lower) (steel) (2)
8244	Suspension link, front, 5x63mm (upper) (steel) (2)
8245	Suspension link, rear, 5x121mm (upper or lower) (steel) (2)

Suspension Linkage

8058	Chassis conversion kit, TRX-4® (long to short wheelbase) (includes rear upper & lower suspension links, front & rear inner fenders, short female half shaft, battery tray, 3x8mm FCS (4))
8057	Chassis conversion kit, TRX-4® (short to long wheelbase) (includes rear upper & lower suspension links, front & rear shock towers, long female half shaft)
8274	Hollow ball set, complete, TRX-4® (aluminum, PTFE-coated)
5355	Hollow ball, tall centered (2)/ tall offset hollow ball (2)/ bump steer adjustment shims; 3.5mm (2), 1.17mm (2)
8275	Rod end set, complete (standard (10), angled 10-degrees (8), offset (4))
8276	Rod ends (10)
8277	Rod ends, angled 10-degrees (8)
2742	Rod ends, long (6)/ hollow ball connectors (6)
8278	Rod ends, offset (4)
5529	Shim set, 3x7x1mm (2), 3x6x0.5mm (4), 3x7x2mm (2)/ hollow balls, captured (4)
8243	Suspension link, front, 5x100mm (lower) (steel) (2)
8244	Suspension link, front, 5x63mm (upper) (steel) (2)
8248	Suspension link, rear, 5x109mm (upper or lower) (steel) (2)
8245	Suspension link, rear, 5x121mm (upper or lower) (steel) (2)

G 500 (82096-4)**Team Traxxas Items**

2514	Decal sheet, racing sponsors
6160X	DVD, Maxx® Power! Full Throttle Action (sleeve)
9950	Official Team Traxxas® racing decal set (flag logo/ 6-color)
9909	Traxxas® racing banner, red & black (3x7 feet)

Tires & Wheels

8169T	Beadlock rings, black (1.9") (aluminum) (4)/ 2x10 CS (48)
8168T	Beadlock rings, black (2.2") (aluminum) (4)/ 2x10 CS (48)
8169X	Beadlock rings, blue (1.9") (aluminum) (4)/ 2x10 CS (48)
8168X	Beadlock rings, blue (2.2") (aluminum) (4)/ 2x10 CS (48)
8169G	Beadlock rings, green (1.9") (aluminum) (4)/ 2x10 CS (48)
8168G	Beadlock rings, green (2.2") (aluminum) (4)/ 2x10 CS (48)
8169A	Beadlock rings, orange (1.9") (aluminum) (4)/ 2x10 CS (48)
8168A	Beadlock rings, orange (2.2") (aluminum) (4)/ 2x10 CS (48)
8169R	Beadlock rings, red (1.9") (aluminum) (4)/ 2x10 CS (48)
8168R	Beadlock rings, red (2.2") (aluminum) (4)/ 2x10 CS (48)
8169	Beadlock rings, satin (1.9") (aluminum) (4)/ 2x10 CS (48)
8168	Beadlock rings, satin (2.2") (aluminum) (4)/ 2x10 CS (48)
8873	Center caps, Mercedes-Benz® G 500® 4x4 ² wheel (black) (4) (requires #8255A extended stub axle)
8164	Center caps, wheel (chrome) (4)/ decal sheet (requires #8255A extended stub axle)
8176	Center caps, wheel (chrome) (4)/ decal sheet (requires #8255A extended stub axle)
8174	Tires and wheels, assembled (Method 105 1.9" black chrome beadlock wheels, Canyon Trail 4.6x1.9" tires, foam inserts) (1 left, 1 right)
8172	Tires and wheels, assembled (Method 105 2.2" black chrome beadlock wheels, Canyon Trail 5.3x2.2" tires, foam inserts) (1 left, 1 right) (for use with TRX-4 Long Arm Lift Kit)
8166X	Tires and wheels, assembled, glued (1.9" chrome wheels, Canyon Trail 4.6x1.9" tires) (4)/ center caps (4)/ decal sheet (requires #8255A extended stub axle)
8166	Tires and wheels, assembled, glued (1.9" chrome wheels, Canyon Trail 4.6x1.9" tires) (2)/ center caps (2)/ decal sheet (requires #8255A extended stub axle)
8177	Tires and wheels, assembled, glued (1.9" chrome wheels, Canyon Trail 4.6x1.9" tires) (2)/ center caps (2)/ decal sheet (requires #8255A extended stub axle)
8183X	Tires and wheels, assembled, glued (1.9" classic chrome wheels, Canyon Trail 4.6x1.9" tires) (4)/ center caps (4) (requires #8255A extended stub axle)
8872	Tires and wheels, assembled, glued (2.6" black, satin chrome-plated Mercedes-Benz® G 500® 4x4 ² wheels, 4.6x2.6" tires) (2)/ center caps (2) (requires #8255A extended stub axle)
8273	Tires and wheels, assembled, glued (Tactical 1.9" wheels, Canyon Trail 4.6x1.9" tires) (2)
8272X	Tires and wheels, assembled, glued (TRX-4® 1.9" satin beadlock wheels, Canyon Trail 4.6x1.9" tires) (2)
8272	Tires and wheels, assembled, glued (TRX-4® 1.9" wheels, Canyon Trail 4.6x1.9" tires) (2)
8179	Tires and wheels, assembled, glued (TRX-4® Sport 1.9" wheels, Canyon Trail 4.6x1.9" tires) (2)
8181	Tires and wheels, assembled, glued (TRX-4® Sport 2.2" wheels, Canyon Trail 5.3x2.2" tires) (2) (for use with TRX-4 Long Arm Lift Kit)
8270	Tires, Canyon Trail 4.6x1.9" (S1 compound)/ foam inserts (2)
8170	Tires, Canyon Trail 5.3x2.2"/ foam inserts (2) (for use with TRX-4 Long-Arm Lift Kit)
8269	Wheel hubs, 12mm hex (2)/ stub axle pins (2) (steel)
8269X	Wheel hubs, 12mm hex, 6061-T6 aluminum (blue-anodized) (4)/ screw pin (4)
8269A	Wheel hubs, 12mm hex, 6061-T6 aluminum (charcoal gray-anodized) (4)/ screw pin (4)
8269G	Wheel hubs, 12mm hex, 6061-T6 aluminum (green-anodized) (4)/ screw pin (4)
8269R	Wheel hubs, 12mm hex, 6061-T6 aluminum (red-anodized) (4)/ screw pin (4)
8165	Wheels, 1.9", chrome (2)/ center caps (2)/ decal sheet (requires #8255A extended stub axle)
8175	Wheels, 1.9", chrome (2)/ center caps (2)/ decal sheet (requires #8255A extended stub axle)
8173	Wheels, Method 105 1.9" (black chrome, beadlock) (beadlock rings sold separately)
8173A	Wheels, Method 105 1.9" (charcoal gray, beadlock) (beadlock rings sold separately)
8171	Wheels, Method 105 2.2" (black chrome, beadlock) (beadlock rings sold separately) (for use with TRX-4 Long Arm Lift Kit)
8171A	Wheels, Method 105 2.2" (charcoal gray, beadlock) (beadlock rings sold separately) (for use with TRX-4 Long Arm Lift Kit)

8268	Wheels, Tactical 1.9 (2)
8271	Wheels, TRX-4® 1.9 (2)
8271X	Wheels, TRX-4® 1.9 (satin beadlock) (2)
8178	Wheels, TRX-4® Sport 1.9 (2)
8180	Wheels, TRX-4 Sport 2.2 (2) (for use with TRX-4 Long Arm Lift Kit)

Transmission Components

8283	Cable, T-lock (front)
8284	Cable, T-lock (rear)
8195	Differential, locking, front and rear (assembled) (includes T-Lock cables and servo)
8289	Drive hub, 2-speed/ shift dog/ shift fork/ 2-speed linkage
8293X	Gear set, transmission, metal (includes 18T, 30T input gears, 36T output gear, 2x9.8 pins (5))
8291	Gearbox housing (includes main housing, front housing, & cover)
8285	Gears, transfer case (3)
5041	Grease, premium high performance (20cc)
8292	Input shaft/ output shaft (transmission)
8290X	Motor mount plate, 6061-T6 aluminum (blue-anodized)
8290A	Motor mount plate, 6061-T6 aluminum (charcoal gray-anodized)
8290G	Motor mount plate, 6061-T6 aluminum (green-anodized)
8290R	Motor mount plate, 6061-T6 aluminum (red-anodized)
8295	Output drive, transmission or differential (pin retainer (1)/ drive cup (1)/ drive ball (1)/ drive pin (1)/ 3x11 screw pin (1)/ cross pin (black) (1) 3x6 BCS with threadlock (1))
8294	Output gear, high range, 24T (metal)
8286	Output shafts (transfer case), front & rear
8290	Plate, motor/ upper spur gear cover
8249	Slipper eliminator plate
8296	Transmission gears, single speed, metal
8196	Two speed conversion kit

Traxxas Tools

3433X	Body reamer (aluminum handle)
3433	Body reamer (plastic handle)
3436	Cap, body reamer
3432	Scissors, curved tip
3431	Scissors, straight tip
8712	Speed Bit Essentials Set, hex and nut driver, 7-piece, includes premium handle (medium), travel pouch, hex drivers (straight: 1.5mm, 2.0mm, 2.5mm) and nut drivers (5.0mm, 5.5mm, 7.0mm, and 8.0mm), 1/4" drive
8721	Speed bit handle, medium (one piece)
8720	Speed bit handle, premium, large (rubber overmold)
8722	Speed bit handle, premium, medium (rubber overmold)
8710	Speed Bit Master Set, hex and nut driver, 13-piece, includes premium handle (medium), travel pouch, hex drivers (straight: 1.5mm, 2.0mm, 2.5mm, 3.0mm), (ball-end: 2.0mm, 2.5mm, 3.0mm), and nut drivers (4.00mm, 4.50mm, 5.00mm, 5.50mm, 7.00mm, 8.00mm),
8711	Speed Bit Master Set, hex driver, 7-piece straight and ball end, includes premium handle (medium), travel pouch, hex drivers (straight: 1.5mm, 2.0mm, 2.5mm, 3.0mm) (ball end: 2.0mm, 2.5mm, 3.0mm), 1/4" drive
8719	Speed Bit Master Set, nut driver, 6-piece, includes premium handle (medium), travel pouch, and nut drivers (4.0mm, 4.5mm, 5.0mm, 5.5mm, 7.0mm, 8.0mm), 1/4" drive
8716	Speed Bit Set, hex driver, 2-piece ball-end (2.0mm, 2.5mm), 1/4" drive
8716X	Speed Bit Set, hex driver, 3-piece ball-end (2.0mm, 2.5mm, 3.0mm), 1/4" drive
8715	Speed Bit Set, hex driver, 3-piece straight (1.5mm, 2.0mm, 2.5mm), 1/4" drive
8715X	Speed Bit Set, hex driver, 4-piece straight (1.5mm, 2.0mm, 2.5mm, 3.0mm), 1/4" drive
3415	Tool set with pouch (includes 1.5mm, 2.0mm, 2.5mm, 3.0mm, 3.5mm, 4mm drivers/ 4mm, 5mm, 5.5mm, 7mm and 8mm nut drivers/ 2mm, 4mm, and 5mm slotted screwdrivers/ #00 Phillips, #0 Phillips, and #1 Phillips screwdrivers/ 4mm and 8mm wrench/ driver handle)

TRX-4® Traxx™

8889	Bearing retainers, inner (2), outer (2)
8890	Drive wheel (1)
8885	Shock mounts (frame, left (2), frame, right (2)/ portal mounts (1 each, front (left & right), rear (left & right))
8888	Spring (4)
8887	Stub axle (1)
8886	Stub axle nut (4)
8891	Tension wheels (6)/ road wheels (4)
8881	Traxx™, front, left (assembled) (requires #8886 stub axle, #7061 GTR shock, & #8878 or #8895 rubber track)

SCALE AND TRAIL CRAWLER

TRX4

MODEL 82016-4

**4WD ELECTRIC
SCALE & TRAIL™ CHASSIS KIT**



TQi 2.4GHz TRANSMITTER



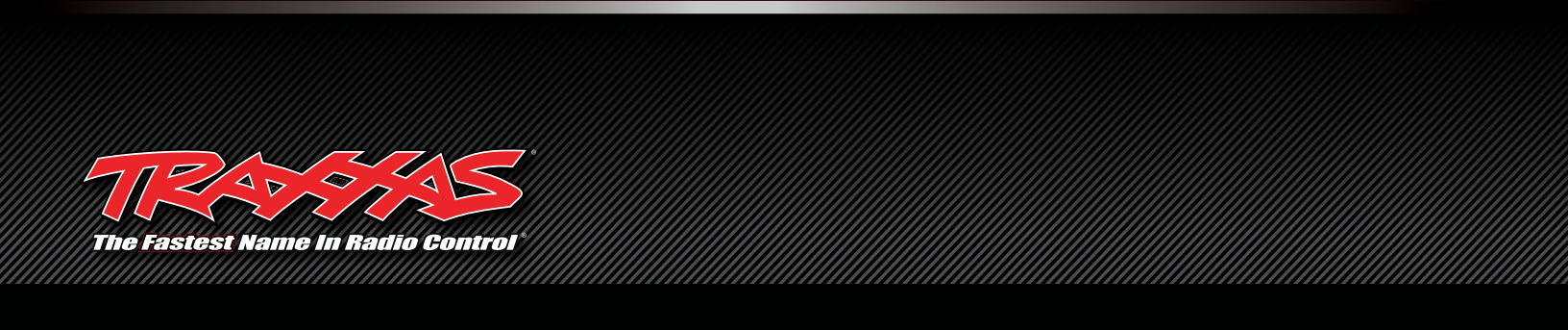
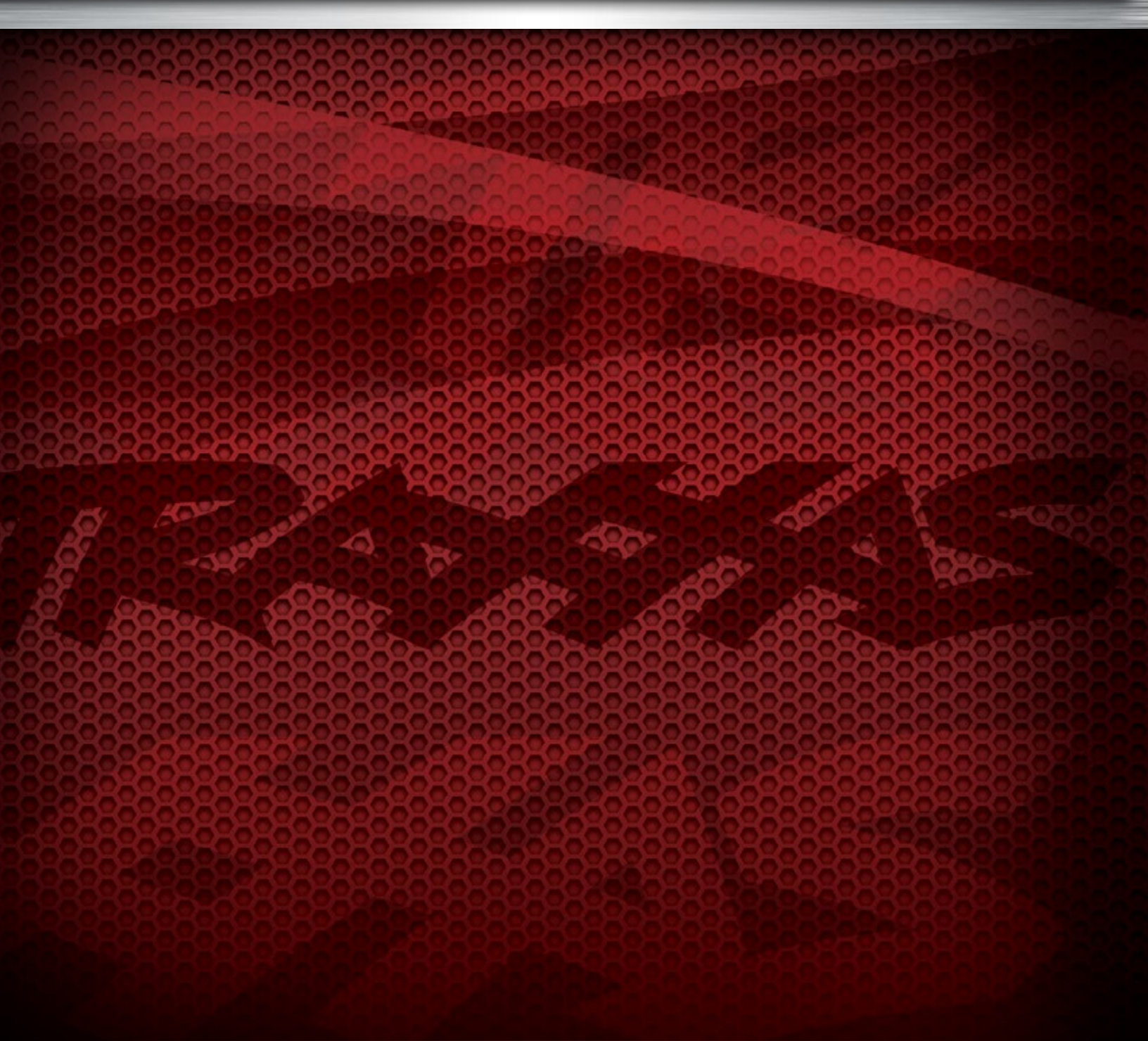
TITAN 21T 550 MOTOR AND
XL-5 HV ELECTRONIC
SPEED CONTROL



GTS ALUMINUM SHOCKS

**TRX-4 TECHNOLOGY AND
INNOVATION-AVAILABLE AS A KIT!**

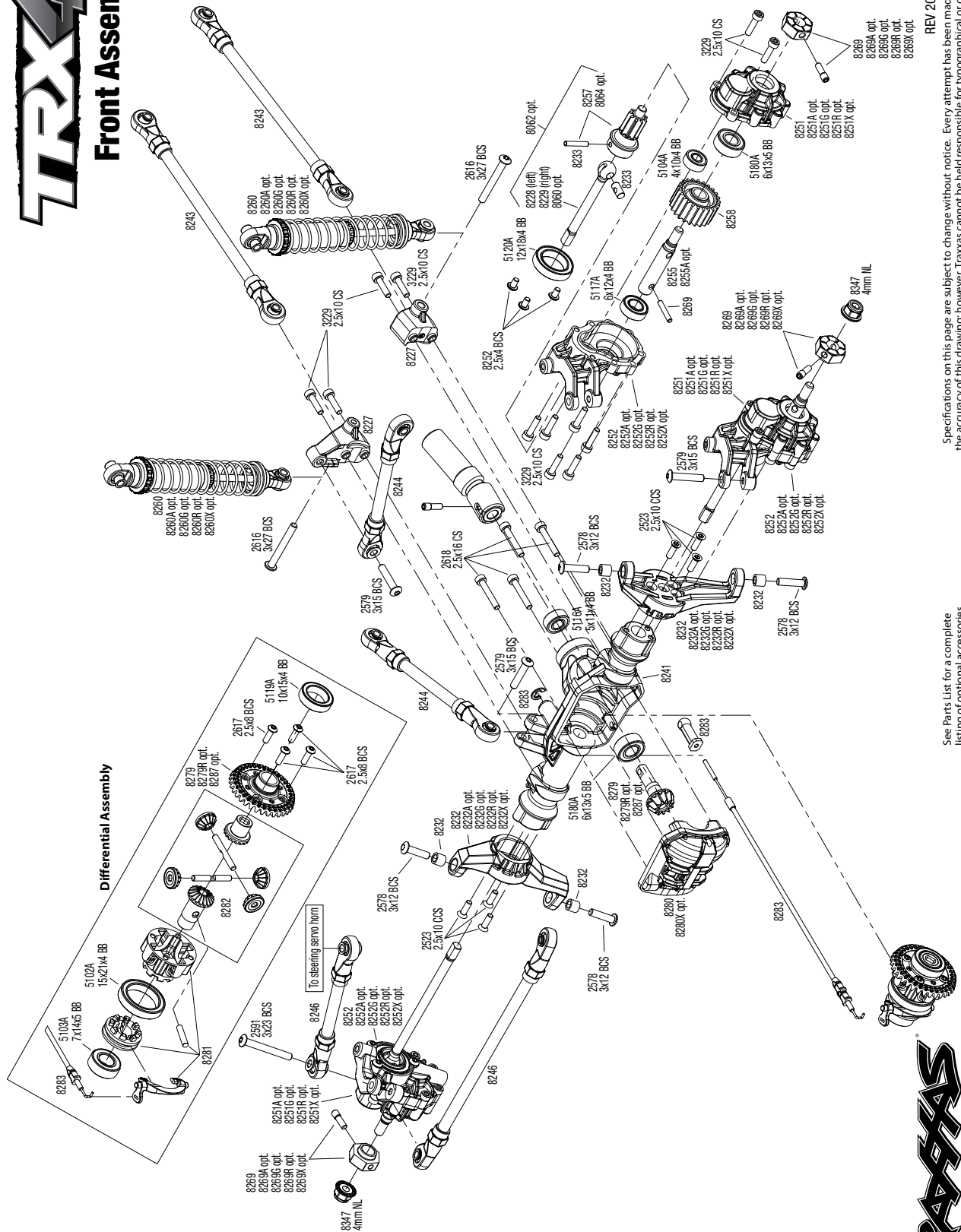
The Traxxas TRX-4™ Scale and Trail™ crawler set the standard for off-road versatility with its radical design and rugged durability. The new TRX-4 chassis kit combines the same innovative features as the RTR vehicle with the fun and excitement of building your own kit. Build your own portal axles, high/low range transmission, and remotely locking differentials. All the parts are organized neatly in labeled bags with waterproof electronics and pre-assembled shocks and suspension links. A fully illustrated color manual makes the kit as much fun to construct as it is to take off-road.



TRAXXAS
The Fastest Name In Radio Control

TRX4

Front Assembly



REV 200206-R14
 Specifications on this page are subject to change without notice. Every attempt has been made to ensure the accuracy of this drawing; however, Traxxas cannot be held responsible for typographical or other errors.

See Parts List for a complete listing of optional accessories.

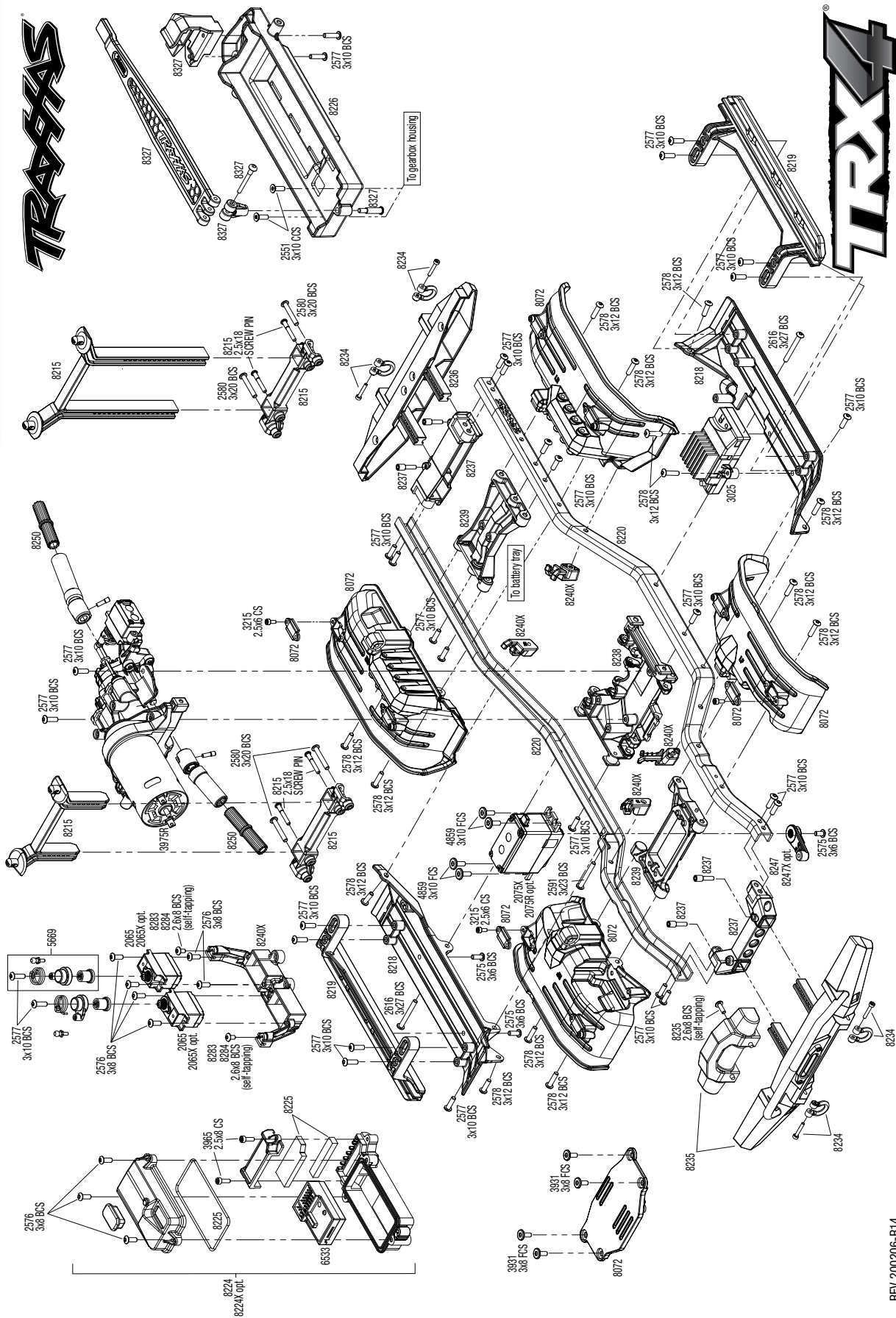


Questions? Call toll-free, 1-888-TRAXXAS

EXPLODED VIEWS

TRX-4 KIT (82016-4)

EXPLODED VIEWS



Chassis Assembly

Questions? Call toll-free, 1-888-TRAXXAS

Specifications on this page are subject to change without notice. Every attempt has been made to ensure the accuracy of this drawing; however, Traxxas cannot be held responsible for typographical or other errors.

REV 200206-R14
See Parts List for a complete listing of optional accessories.

TRX-4 KIT (82016-4)

PARTS SHOWN IN BOLD ARE OPTIONAL ACCESSORIES.
Part categories and individual part listings are arranged alphabetically.

Axle Components

8241	Axle housing, front
8242	Axle housing, intermediate (TRX-6™) or rear (TRX-4®)
8227	Axle mount set (complete) (front & rear) (for suspension links)
8228	Axle shaft, front (left)/ drive pin/ cross pin
8229	Axle shaft, front (right)/ drive pin/ cross pin
8060	Axle shaft, front, heavy duty (left & right) (requires #8064 front portal drive input gear)
8062	Axle shaft, front, heavy duty (left & right)/ portal drive input gear (machined) (2) (assembled)
8230	Axle shaft, rear (left)
8231	Axle shaft, rear (right)
8061	Axle shaft, rear, heavy duty (left & right)/ portal drive input gear, rear (machined)
8063	Axle, rear, heavy duty (left & right) (requires #8065 rear portal drive input gear)
8233	Cross pin (2) drive pin (2) (to rebuild front axle shafts)
8256	Portal drive axle mount, rear (left & right)
8256X	Portal drive axle mount, rear, 6061-T6 aluminum (blue-anodized) (left and right)/ 2.5x16 CS (4)
8256A	Portal drive axle mount, rear, 6061-T6 aluminum (charcoal gray-anodized) (left and right)/ 2.5x16 CS (4)
8256G	Portal drive axle mount, rear, 6061-T6 aluminum (green-anodized) (left and right)/ 2.5x16 CS (4)
8256R	Portal drive axle mount, rear, 6061-T6 aluminum (red-anodized) (left and right)/ 2.5x16 CS (4)
8252	Portal drive housing, inner, front (left & right)/ 2.5x4 BCS (6)
8253	Portal drive housing, inner, rear (left or right) (2)
8251	Portal drive housing, outer (front or rear) (2)
8064	Portal drive input gear, front (machined) (left or right) (requires #8060 front axle shaft)
8257	Portal drive input gear, front/ drive pin/ cross pin
8259	Portal drive input gear, rear
8065	Portal drive input gear, rear (machined) (left or right) (requires #8063 rear axle)
8258	Portal drive output gear, front or rear
8252X	Portal housings, inner (front), 6061-T6 aluminum (blue-anodized) (2)/ 3x12 BCS (2)
8252A	Portal housings, inner (front), 6061-T6 aluminum (charcoal gray-anodized) (2)/ 3x12 BCS (2)
8252G	Portal housings, inner (front), 6061-T6 aluminum (green-anodized) (2)/ 3x12 BCS (2)
8252R	Portal housings, inner (front), 6061-T6 aluminum (red-anodized) (2)/ 3x12 BCS (2)
8253X	Portal housings, inner (rear), 6061-T6 aluminum (blue-anodized) (2)/ 2.5x10 CS (2)
8253A	Portal housings, inner (rear), 6061-T6 aluminum (charcoal gray-anodized) (2)/ 2.5x10 CS (2)
8253G	Portal housings, inner (rear), 6061-T6 aluminum (green-anodized) (2)/ 2.5x10 CS (2)
8253R	Portal housings, inner (rear), 6061-T6 aluminum (red-anodized) (2)/ 2.5x10 CS (2)
8251X	Portal housings, outer, 6061-T6 aluminum (blue-anodized) (2)/ 2.5x10 CS (12)
8251A	Portal housings, outer, 6061-T6 aluminum (charcoal gray-anodized) (2)/ 2.5x10 CS (12)
8251G	Portal housings, outer, 6061-T6 aluminum (green-anodized) (2)/ 2.5x10 CS (12)
8251R	Portal housings, outer, 6061-T6 aluminum (red-anodized) (2)/ 2.5x10 CS (12)
8255	Stub axle (portal drive) (2)
8255A	Stub axle, extended (portal drive) (2)
8267	Weight, portal housing, brass (34 grams) (2)/ 2.5x8 CS (6) (requires #8251X, 8251R, 8251A, or 8251G outer portal housing)

Bearings & Bushings

5119A	Ball bearings, black rubber sealed (10x15x4mm) (2)
5120A	Ball bearings, black rubber sealed (12x18x4mm) (2)
5104A	Ball bearings, black rubber sealed (4x10x4mm) (2)
5115A	Ball bearings, black rubber sealed (5x10x4mm) (2)
5116A	Ball bearings, black rubber sealed (5x11x4mm) (2)
5114A	Ball bearings, black rubber sealed (5x8x2.5mm) (2)
5117A	Ball bearings, black rubber sealed (6x12x4mm) (2)
5180A	Ball bearings, black rubber sealed (6x13x5mm) (2)
5103A	Ball bearings, black rubber sealed (7x14x5mm) (2)

Body (1969 Chevrolet Blazer)

9112	Body, Chevrolet Blazer (1969 - 1970) (clear, requires painting) (includes grille, side mirrors, door handles, windshield wipers, decals, window masks)
9112X	Body, Chevrolet Blazer (1969), complete (black) (includes grill, side mirrors, door handles, windshield wipers, front & rear bumpers, decals)
9125	Bumper pads/ bumper guards (chrome)/ 2.5x10 BCS (4)/ 2.7mm drill bit (fits #9126 or #9127 front bumpers)
9127	Bumper, front (chrome)/ bumper mount/ 3x10 BCS (2)
9124	Bumper, rear (chrome)/ bumper mount/ 3x10 BCS (2)
9113	Decal sheets, Chevrolet Blazer (1969 -1972)
9115	Door handles, left, right, and rear/ retainers (3)/ windshield wipers, left & right/ retainer (1)/ fuel cap/ fuel flange/ fuel cap mount/ 1.6x5 BCS (self-tapping) (7)/ 2.6x8 BCS (1)
9123	Grille, Chevrolet Blazer (1969 - 1970)/ grille retainers (5)/ headlight housing (2)/ headlight lens (2)/ turn signal lens (2)/ hood emblem/ hood emblem mount/ 2.6x8 BCS (5)/ 2.5x6 BCS (4)/ 1.6x5 BCS (self-tapping) (2) (fits #9112 body)
9116	Marker light housing (4)/ marker light mount (4)/ marker light lens (red (2), amber (2))/ reverse lens (left & right)/ 1.6x5 BCS (self-tapping) (8)
9121	Mirrors, side, chrome (left & right)/ o-rings (4)/ body clips (4) (fits #9112 body)
9122	Tail light housing, black (2)/ lens (2)/ retainers (left & right)/ 2.6x8 BCS (self-tapping) (4)

Body (1972 Chevrolet Blazer)

9111	Body, Chevrolet Blazer (1972) (clear, requires painting) (includes grille, side mirrors, side trim, door handles, windshield wipers, decals, window masks)
9111X	Body, Chevrolet Blazer (1972), complete (blue) (includes grille, side mirrors, door handles, windshield wipers, front & rear bumpers, decals)
9125	Bumper pads/ bumper guards (chrome)/ 2.5x10 BCS (4)/ 2.7mm drill bit (fits #9126 or #9127 front bumpers)
9126	Bumper, front (chrome)/ bumper mount/ lens (left and right) (2)/ lens mount (left and right) (2)/ 3x10 BCS (2)/ 2.6x6 BCS (4)
9124	Bumper, rear (chrome)/ bumper mount/ 3x10 BCS (2)
9113	Decal sheets, Chevrolet Blazer (1969 -1972)
9115	Door handles, left, right, and rear/ retainers (3)/ windshield wipers, left & right/ retainer (1)/ fuel cap/ fuel flange/ fuel cap mount/ 1.6x5 BCS (self-tapping) (7)/ 2.6x8 BCS (1)
9120	Grille, Chevrolet Blazer (1972)/ grille retainers (5)/ headlight housing (2)/ lens (2)/ 2.6x8 BCS (5)/ 2.5x6 BCS (4) (fits #9111 body)
9116	Marker light housing (4)/ marker light mount (4)/ marker light lens (red (2), amber (2))/ reverse lens (left & right)/ 1.6x5 BCS (self-tapping) (8)
9118	Mirrors, side, chrome (left & right)/ o-rings (4)/ body clips (4) (fits #9111 body)
9117	Side trim, Chevrolet Blazer (1972), left & right/ rear trim, upper & lower/ retainers, left, right & rear/ 2.6x8 BCS (23)/ 1.6x5 BCS (self-tapping) (5) (fits #9111 body)
9119	Tail light housing, chrome (2)/ lens (2)/ retainers (left & right)/ 2.6x8 BCS (self-tapping) (4)

Body (1979 Chevrolet Blazer)

8130	Body, Chevrolet Blazer (1979) (clear, requires painting)/ window masks
8130G	Body, Chevrolet Blazer (1979) (orange) (requires grille, side mirrors, door handles, windshield wipers, decals)
8130A	Body, Chevrolet Blazer (1979) (red) (requires grille, side mirrors, door handles, windshield wipers, decals)
8130X	Body, Chevrolet Blazer (1979), complete (orange) (includes grille, side mirrors, door handles, windshield wipers, front & rear bumpers, decals)
8130R	Body, Chevrolet Blazer (1979), complete (red) (includes grille, side mirrors, door handles, windshield wipers, front & rear bumpers, decals)
8131	Decal sheet, Chevrolet Blazer (1979)
8132	Door handles, left, right & rear tailgate/ windshield wipers, left & right/ retainers (2)/ 1.6x5 BCS (self-tapping) (7) (fits #8130 body)
8134	Grille, Chevrolet Blazer (1979)/ grille retainers (4)/ headlight housing (2)/ lens (2)/ 2.6x8 BCS (4)/ 2.5x6 BCS (2) (fits #8130 body)
8133X	Mirrors, side (folding) (fits #8130 body)
8133	Mirrors, side, chrome (left & right)/ o-rings (4)/ body clips (4) (fits #8130 body)

- 8135 Tail lights, left & right (assembled)/ tail light retainers, left & right/ side marker lights (assembled) (2)/ side marker retainers (2)/ mounting tape (2)/ 1.6x5 BCS (self-tapping) (4)/ 2.6x8 BCS (2) (fits #8130 body)

Body (1979 Ford Bronco)

- 8010 Body, Ford Bronco (1979) (clear, requires painting)/ decals/ window masks/ tailgate panel insert/ adhesive foam tape (2)
- 8010X Body, Ford Bronco (1979), complete (black) (includes front and rear bumpers, push bar, rear body mount, grille, side mirrors, door handles, windshield wipers, spare tire mount, red and sunset decals) (requires #8072 inner fenders)
- 8078R Decal sheet, Bronco, red (fits #8010 body)
- 8078 Decal sheet, Bronco, sunset (fits #8010 body)
- 8075 Door handles, left & right/ windshield wipers, left & right/ retainers (3)/ 1.6x5 BCS (self-tapping) (4) (fits #8010 body)
- 8070 Grille, Ford Bronco/ grille retainers (6)/ headlight housing (2)/ lens (2)/ 2.6x8 BCS (6)/ 2.5x6 BCS (2) (fits #8010 body)
- 8073 Mirrors, side, black (left & right)/ retainers (2)/ body clips (4) (fits #8010 body)
- 8073X Mirrors, side, chrome (left & right)/ retainers (2)/ body clips (4) (fits #8010 body)
- 8076 Side trim, left & right (chrome)/ retainers/ LED lens/ 2.6x8 BCS (24) (fits #8010 body)
- 8074 Spare tire mount/ mounting bracket/ spare tire cover/ mounting hardware
- 8077 Tailgate panel insert (clear, requires painting)/ adhesive foam tape (2) (fits #8010 body)
- 8071 Tailgate panel/ tail light lens (2) (left & right) (fits #8010 body)

Body (Land Rover Defender)

- 8011 Body, Land Rover® Defender® (clear, trimmed, requires painting)/ window masks/ decal sheet
- 8011A Body, Land Rover® Defender®, adventure orange (complete with ExoCage, inner fenders, fuel canisters, and jack)
- 8011X Body, Land Rover® Defender®, graphite silver (painted)/ decals
- 8011R Body, Land Rover® Defender®, red (painted)/ decals
- 8012 Decals, Land Rover® Defender®
- 8016 ExoCage (complete with assembly hardware; #8015 roof basket sold separately) (fits #8011 body)
- 8019 Fender brace, inner, front & rear
- 8017 Fender flares, front & rear (2 each) (fits #8011 or #8211 body)
- 8018 Fenders, inner, front & rear (2 each)/ rock light covers (8)
- 8013 Grille, Land Rover® Defender®/ grille mount (3)/ headlight housing (2)/ lens (2)/ headlight mount (2) (fits #8011 body)
- 8020 Mirrors, side (left & right)/ snorkel/ mounting hardware (fits #8011 body)
- 8015 Roof basket (requires #8016 ExoCage) (fits #8011 body)
- 8021 Spare tire mount/ mounting bracket/ screw pins (2)
- 8014 Tail light housing (2)/ lens (2)/ decals (left & right) (fits #8011 body)

Body (Mercedes-Benz® G 500®)

- 8811 Body, Mercedes-Benz® G 500® 4x4² (clear, requires painting)/ decals/ window masks (includes rear body post, grille, side mirrors, door handles, & windshield wipers)
- 8812 Decals, Mercedes-Benz® G 500® 4x4²
- 8813X Grille, Mercedes-Benz® G 500® 4x4²/ grille mount/ grille insert/ headlight lens (2)/ headlight reflector (2)/ reflector lens (2)/ bumperette front (2)/ bumperette mount (2)/ turn signal housing (2)/ turn signal housing retainer (2)/ turn signal lens
- 8817 Mirrors, side, black (left & right)/ o-rings (4)/ windshield wipers, left, right, & rear/ wiper retainers (2)/ body clips (4)/ 1.6x5 BCS (self-tapping) (3)
- 8822 Roof visor/ visor retainer/ visor lens (2)/ 2.6x6 BCS (3)/ 3x4 GS (4)
- 8816X Side marker light housing (2)/ mount (2)/ lens (2)/ 1.6x7 BCS (self-tapping) (2)
- 8814X Tail light lens (2)/ tail light housing (2)/ tail light housing mount (2)/ reverse lens (2)/ 1.6x5 BCS (4) (left & right)

Body (Tactical Unit)

- 8211X Body, Tactical Unit, night camo (painted)/ decals
- 8019 Fender brace, inner, front & rear
- 8017 Fender flares, front & rear (2 each) (fits #8011 or #8211 body)
- 8018 Fenders, inner, front & rear (2 each)/ rock light covers (8)
- 8020 Mirrors, side (left & right)/ snorkel/ mounting hardware (fits #8011 body)
- 8021 Spare tire mount/ mounting bracket/ screw pins (2)

Body (TRX-4® Sport)

- 8112 Body with camper, TRX-4® Sport (clear, trimmed, requires painting)/ window masks/ decal sheet
- 8111R Body, TRX-4® Sport (clear, trimmed, die-cut for LED light kit, requires painting)/ window masks/ decal sheet

- 8111 Body, TRX-4® Sport (clear, trimmed, requires painting)/ window masks/ decal sheet
- 8113 Decal sheet, TRX-4® Sport
- 8120X Expedition rack, complete (includes traction boards, shovel, axe, jack, fire extinguisher, fuel cans, & mounting hardware) (fits #8111 or #8111R body)
- 8120 Expedition rack/ mounting hardware (fits #8111 or #8111R body)
- 8116 Grille/ grille retainers (2)/ grille mount/ lens (2)/ 2.5x8 BCS (6) (fits #8111 or #8112 body)
- 8119 Mirrors, side (left & right)/ snorkel/ mounting hardware (fits #8111 or #8112 body)
- 8122 Shovel/ axe/ accessory mount/ mounting hardware
- 8118 Spare tire mount/ mounting hardware
- 8117 Tailgate panel/ tailgate retainers (2)/ tailgate mount/ tail light lens (2) (left & right)/ 2.5x8 BCS (4) (fits #8111 or #8112 body)
- 8121X Traction boards, blue/ mounting hardware
- 8121G Traction boards, green/ mounting hardware
- 8121A Traction boards, yellow/ mounting hardware
- 8121 Traction boards/ mounting hardware

Body Accessories

- 1926 Antenna caps, vinyl (2)/ antenna spool
- 1726 Antenna, tube (1)/ vinyl antenna cap (1)/ wire retainer (1)
- 1834 Body clips (12) (standard size)
- 1834A Body clips, black (12) (standard size)
- 3934 Body clips, heavy duty (12)
- 3934A Body clips, heavy duty (black) (12)
- 8215 Body mounts & posts, front & rear (complete set)
- 4915 Body washers, foam adhesive (10)
- 2514 Decal sheet, racing sponsors
- 8081 Fender extensions (4)/ 3x8 flat-head screws (24) (requires #8080 narrow inner fenders)
- 8080 Fenders, inner (narrow), front & rear (2 each)/ rock light covers (8)/ battery plate/ 3x8 flat-head screws (4)
- 8072 Fenders, inner, front & rear (2 each)/ rock light covers (8)/ battery plate/ 3x8 flat-head screws (4)
- 9950 Official Team Traxxas® racing decal set (flag logo/ 6-color)

Bumpers & Skidplates

- 8234 Bumper D-Rings, grey (front or rear)/ 2x12 CS (4)
- 8234R Bumper D-rings, red (front or rear)/ 2.0x12 CS (4)
- 8067 Bumper mounts, front & rear
- 8237 Bumper mounts, front & rear/ screw pins (4)
- 8069 Bumper, front (chrome)/ bumper mount/ 3x10 BCS (2)
- 8235 Bumper, front/ winch
- 8236 Bumper, rear
- 8068 Bumper, rear (chrome)/ bumper mount/ 3x10 BCS (2)
- 8066 Push bar, bumper (chrome) (fits #8069 bumper)
- 8238 Skidplate/ lower gear cover

Chassis & Attachments

- 8215 Body mounts & posts, front & rear (complete set)
- 8224 Box, receiver (sealed)/ wire cover/ foam pads/ silicone grease/ 3x8 BCS (5)/ 2.5x8 CS (2)
- 8058 Chassis conversion kit, TRX-4® (long to short wheelbase) (includes rear upper & lower suspension links, front & rear inner fenders, short female half shaft, battery tray, 3x8mm FCS (4))
- 8057 Chassis conversion kit, TRX-4® (short to long wheelbase) (includes rear upper & lower suspension links, front & rear shock towers, long female half shaft)
- 8220 Chassis rails, 448mm (steel) (left & right)
- 8072 Fenders, inner, front & rear (2 each)/ rock light covers (8)/ battery plate/ 3x8 flat-head screws (4)
- 8218 Floor pans, left & right
- 8224X Receiver box cover (for use only with #8224 receiver box & #2260 BEC)/ foam pads/ seals/ silicone grease
- 8219 Rock sliders, left & right
- 8225 Seal kit, receiver box (includes o-ring, seals, and silicone grease)
- 8240X Servo mount, 2-speed/ servo mount, T-Lock/ wire clips
- 8239 Servo mount, steering/ chassis crossmember
- 8216 Shock towers, front & rear (left & right)
- 8226 Tray, battery

Differential Components

- 8281 Carrier, differential/ differential slider/ T-Lock fork
- 8280A Differential cover, front or rear (black)
- 8280X Differential cover, front or rear (chrome-plated)
- 8280 Differential cover, front or rear (grey)
- 8280R Differential cover, front or rear (red)
- 8282 Gear set, differential (output gears (2), spider gears (4), spider gear shaft (2))

TRX-4 KIT (82016-4)

- 8295 Output drive, transmission or differential (pin retainer (1)/ drive cup (1)/ drive ball (1)/ drive pin (1)/ 3x11 screw pin (1)/ cross pin (black) (1) 3x6 BCS with threadlock (1))
- 8279 Ring gear, differential/ pinion gear, differential
- 8279R Ring gear, differential/ pinion gear, differential (machined)
- 8287 Ring gear, differential/ pinion gear, differential (overdrive, machined)
- 8288 Ring gear, differential/ pinion gear, differential (underdrive, machined)
- 8297 Spool/ differential housing plug/ e-clip

Driveline Components

- 8250 Half shafts, center (internal splined, front (2) & internal splined, rear (2)/ external splined (2)/ pin retainer (4)) (plastic parts only)
- 8255 Stub axle (portal drive) (2)
- 8255A Stub axle, extended (portal drive) (2)
- 8269 Wheel hubs, 12mm hex (2)/ stub axle pins (2) (steel)
- 8269X Wheel hubs, 12mm hex, 6061-T6 aluminum (blue-anodized) (4)/ screw pin (4)
- 8269A Wheel hubs, 12mm hex, 6061-T6 aluminum (charcoal gray-anodized) (4)/ screw pin (4)
- 8269G Wheel hubs, 12mm hex, 6061-T6 aluminum (green-anodized) (4)/ screw pin (4)
- 8269R Wheel hubs, 12mm hex, 6061-T6 aluminum (red-anodized) (4)/ screw pin (4)

Hardware

- 1552 Backplate screws (3x8mm cap-head machine) (6)/washers (6)/ wrench
- 1834 Body clips (12) (standard size)
- 1834A Body clips, black (12) (standard size)
- 3934 Body clips, heavy duty (12)
- 3934A Body clips, heavy duty (black) (12)
- 8167X Hardware kit, stainless steel, beadlock rings (contains stainless steel hardware for 4 wheels)
- 8298 Hardware kit, stainless steel, TRX-4® (contains all stainless steel hardware used on TRX-4)
- 8151 Hardware kit, stainless steel, TRX-4® High Lift Kit (contains all stainless steel hardware used on TRX-4® Long Arm Lift Kit)
- 5476X Hex wrenches; 1.5mm, 2mm, 2.5mm, 3mm, 2.5mm ball
- 3647 Nuts, 4mm flanged nylon locking (steel, serrated) (8)
- 8347 Nuts, 4mm flanged nylon locking, serrated (black) (10)
- 1747R Nuts, aluminum, flanged, serrated (4mm) (blue-anodized) (4)
- 1747G Nuts, aluminum, flanged, serrated (4mm) (green-anodized) (4)
- 1747P Nuts, aluminum, flanged, serrated (4mm) (pink-anodized) (4)
- 1985 PTFE-coated washers, 5x8x0.5mm (20) (use with ball bearings)
- 8221 Screw pin, 3x10mm (6)
- 3229 Screws, 2.5x10mm cap-head machine (hex drive) (6)
- 2523 Screws, 2.5x10mm countersunk machine (hex drive) (6)
- 3236 Screws, 2.5x12mm cap-head machine (6)
- 2618 Screws, 2.5x16mm cap-head machine (6)
- 3215 Screws, 2.5x6mm cap-head machine (hex drive) (6)
- 2617 Screws, 2.5x8mm button-head machine (hex drive) (6)
- 3965 Screws, 2.5x8mm cap-head machine (6)
- 2524 Screws, 2.5x8mm countersunk machine (hex drive) (6)
- 8299 Screws, 2.6x12mm button-head, self-tapping (hex drive) (6)
- 8167 Screws, 2x10mm cap-head, self-tapping (hex drive) (10)
- 2564 Screws, 2x8mm cap-head machine (hex drive) (6)
- 2577 Screws, 3x10mm button-head machine (hex drive) (6)
- 4859 Screws, 3x10mm flat-head machine (hex drive) (4)
- 2578 Screws, 3x12mm button-head machine (hex drive) (6)
- 2579 Screws, 3x15mm button-head machine (hex drive) (6)
- 2591 Screws, 3x23mm button-head machine (hex drive) (6)
- 2581 Screws, 3x25mm button-head machine (hex drive) (6)
- 2616 Screws, 3x27mm button-head machine (hex drive) (6)
- 2582 Screws, 3x30mm button-head machine (hex drive) (6)
- 2575 Screws, 3x6mm button-head machine (hex drive) (6)
- 3932 Screws, 3x6mm flat-head machine (hex drive) (6)
- 2576 Screws, 3x8mm button-head machine (hex drive) (6)
- 3931 Screws, 3x8mm flat-head machine (hex drive) (6)
- 3933 Screws, 4x16mm button-head machine (hex drive) (6)

LED Light Accessories

- 8031 3-in-1 wire harness, LED light kit
- 8089 4-in-2 wire harness, LED light kit
- 8028 LED lights, power supply (regulated, 3V, 0.5-amp)/ 3-in-1 wire harness
- 8026X LED rock light kit, TRX-4®/TRX-6™ (requires #8028 power supply and #8018, #8072, or #8080 inner fenders)

LED Lights (1979 Chevrolet Blazer)

- 8039 LED light set (contains headlights, tail lights, side marker lights, distribution block (fits #8130 body, requires #8028 power supply)

- 8038 LED light set, complete with power supply (contains headlights, tail lights, side marker lights, distribution block, and power supply) (fits #8130 body)

LED Lights (1979 Ford Bronco)

- 8036 LED light set (contains headlights, tail lights, side marker lights, & distribution block) (fits #8010 body, requires #8028 power supply)
- 8035 LED light set, complete with power supply (contains headlights, tail lights, side marker lights, & distribution block) (fits #8010 body)
- 8037 LED lights, high/low switch (for #8035 or #8036 LED light kits)

LED Lights (Land Rover Defender)

- 8027 LED headlight/tail light kit (fits #8011 body, requires #8028 power supply)
- 8025 LED light bar (Rigid®), TRX-4 (requires #8028 power supply)
- 8029 LED light bar kit (Rigid®)/power supply, TRX-4®
- 8030 LED light set, complete (contains rock light kit, LED light bar (Rigid®), LED headlight/tail light kit, power supply, & 3-in-1 wire harness) (fits #8011 body)

LED Lights (Mercedes-Benz® G 500® 4x4²)

- 8899 LED light set (contains headlights, tail lights, roof lights, and distribution block) (fits #8811 or #8825 body, requires #8028 power supply)
- 8898 LED light set, complete with power supply (contains headlights, tail lights, roof lights, & distribution block) (fits #8811 or #8825 body)

LED Lights (TRX-4® Sport)

- 8086 LED expedition rack scene light kit (fits #8111 body, requires #8028 power supply)
- 8084 LED headlight/tail light kit (fits #8111 or #8112 body, requires #8028 power supply)
- 8088 LED light bar, front bumper (fits #8124 front bumper, requires #8028 power supply)
- 8087 LED light bar, roof lights (fits #8111 body, requires #8028 power supply)
- 8085 LED light set, complete with power supply (contains headlights, tail lights, & distribution block) (fits #8111 or #8112 body)

Long Arm Lift Kit

- 8162X Body, GTS shock, long (aluminum, blue-anodized) (1) (for use with #8140X TRX-4® Long Arm Lift Kit)
- 8162R Body, GTS shock, long (aluminum, red-anodized) (1) (for use with #8140R TRX-4® Long Arm Lift Kit)
- 8162 Body, GTS shock, long (silver aluminum) (1) (for use with #8140 TRX-4® Long Arm Lift Kit)
- 8148 Cable, T-lock (extra long) (for use with TRX-4® Long Arm Lift Kit)
- 8147 Cable, T-lock (medium) (for use with TRX-4® Long Arm Lift Kit)
- 8150 Driveshaft extension kit, center (includes internal splined, x-long (2), internal splined, long (1) and internal splined, medium (1)) (for use with TRX-4® Long Arm Lift Kit)
- 8140 Long Arm Lift Kit, TRX-4®, complete
- 8140X Long Arm Lift Kit, TRX-4®, complete (includes blue powder coated links, blue-anodized shocks)
- 8140R Long Arm Lift Kit, TRX-4®, complete (includes red powder coated links, red-anodized shocks)
- 8149 Rod ends, extended (standard (4), angled (4))/ hollow balls (8) (for use with TRX-4® Long Arm Lift Kit)
- 8141 Servo mount, steering (for use with TRX-4® Long Arm Lift Kit)
- 8161 Shock shaft, 3x57mm (GTS) (2) (includes bump stops) (for use with TRX-4® Long Arm Lift Kit)
- 8160X Shocks, GTS, aluminum (blue-anodized) (assembled without springs) (4) (for use with #8140X TRX-4® Long Arm Lift Kit)
- 8160R Shocks, GTS, aluminum (red-anodized) (assembled without springs) (4) (for use with #8140R TRX-4® Long Arm Lift Kit)
- 8160 Shocks, GTS, silver aluminum (assembled without springs) (4) (for use with #8140 TRX-4® Long Arm Lift Kit)
- 8153 Springs, shock, long (natural finish) (GTS) (0.29 rate, white stripe) (for use with TRX-4® Long Arm Lift Kit)
- 8154 Springs, shock, long (natural finish) (GTS) (0.39 rate, orange stripe) (for use with TRX-4® Long Arm Lift Kit)
- 8155 Springs, shock, long (natural finish) (GTS) (0.47 rate) (included with TRX-4® Long Arm Lift Kit)
- 8156 Springs, shock, long (natural finish) (GTS) (0.54 rate, green stripe) (for use with TRX-4® Long Arm Lift Kit)
- 8157 Springs, shock, long (natural finish) (GTS) (0.62 rate, blue stripe) (for use with TRX-4® Long Arm Lift Kit)
- 8146X Steering link, 5x117mm (1)/ draglink, 5x60mm (1)/ panhard link, 5x63mm (blue powder coated steel) (assembled with hollow balls) (for use with #8140X TRX-4® Long Arm Lift Kit)
- 8146R Steering link, 5x117mm (1)/ draglink, 5x60mm (1)/ panhard link, 5x63mm (red powder coated steel) (assembled with hollow balls) (for use with #8140R TRX-4® Long Arm Lift Kit)

8144X	Suspension link, front upper, 5x68mm (1) (blue powder coated steel) (assembled with hollow balls) (for use with #8140X TRX-4® Long Arm Lift Kit)	2842X	5000mAh 7.4v 2-Cell 25C LiPo Battery
8144R	Suspension link, front upper, 5x68mm (1) (red powder coated steel) (assembled with hollow balls) (for use with #8140R TRX-4® Long Arm Lift Kit)	2843X	5800mAh 7.4v 2-Cell 25C LiPo Battery
8144	Suspension link, front upper, 5x68mm (1) (steel) (assembled with hollow balls) (for use with #8140 TRX-4® Long Arm Lift Kit)	2869X	7600mAh 7.4v 2-Cell 25C LiPo Battery
8143	Suspension links, front lower (2) (5x104mm, steel) (assembled with hollow balls) (for use with #8140 TRX-4® Long Arm Lift Kit)	2976	AC to DC converter, 40W
8143X	Suspension links, front lower, blue (2) (5x104mm, powder coated steel) (assembled with hollow balls) (for use with #8140X TRX-4® Long Arm Lift Kit)	2938X	Adapter, Traxxas® iD® LiPo battery (adapts Traxxas iD batteries to separate balance ports)
8143R	Suspension links, front lower, red (2) (5x104mm, powder coated steel) (assembled with hollow balls) (for use with #8140R TRX-4® Long Arm Lift Kit)	1726	Antenna, tube (1)/ vinyl antenna cap (1)/ wire retainer (1)
8145	Suspension links, rear lower (2) (5x115mm, steel) (assembled with hollow balls) (for use with #8140 TRX-4® Long Arm Lift Kit)	2943	Battery charge indicators (green (4), blue (4), grey (4))
8145X	Suspension links, rear lower, blue (2) (5x115mm, powder coated steel) (assembled with hollow balls) (for use with #8140X TRX-4® Long Arm Lift Kit)	6548	Battery door, transmitter (replacement for #6516, 6517, 6528, 6529, 6530 transmitters)
8145R	Suspension links, rear lower, red (2) (5x115mm, powder coated steel) (assembled with hollow balls) (for use with #8140R TRX-4® Long Arm Lift Kit)	8222	Battery strap (for 2200 2-cell and 1400 3-cell LiPo batteries)
8142	Suspension links, rear upper (2) (5x115mm, steel) (assembled with hollow balls) (for use with #8140 TRX-4® Long Arm Lift Kit)	2914	Battery, Power Cell AA Alkaline (4)
8142X	Suspension links, rear upper, blue (2) (5x115mm, powder coated steel) (assembled with hollow balls) (for use with #8140X TRX-4® Long Arm Lift Kit)	2923X	Battery, Power Cell, 3000mAh (NiMH, 7-C flat, 8.4V)
8142R	Suspension links, rear upper, red (2) (5x115mm, powder coated steel) (assembled with hollow balls) (for use with #8140R TRX-4® Long Arm Lift Kit)	2940X	Battery, Series 3 Power Cell, 3300mAh (NiMH, 7-C flat, 8.4V)
8172	Tires and wheels, assembled (Method 105 2.2" black chrome beadlock wheels, Canyon Trail 5.3x2.2" tires, foam inserts) (1 left, 1 right)	2950X	Battery, Series 4 Power Cell, 4200mAh (NiMH, 7-C flat, 8.4V)
8181	Tires and wheels, assembled, glued (TRX-4® Sport 2.2" wheels, Canyon Trail 5.3x2.2" tires) (2)	2960X	Battery, Series 5 Power Cell, 5000mAh (NiMH, 7-C flat, 8.4V)
8170	Tires, Canyon Trail 5.3x2.2" foam inserts (2)	2983	Battery/charger completer pack (includes #2969 2-amp NiMH peak detecting AC charger (1), #2923X 3000mAh 8.4V 7-cell NiMH battery (1))
8171	Wheels, Method 105 2.2" (black chrome, beadlock) (beadlock rings sold separately)	2992	Battery/charger completer pack (includes #2970 iD® charger (1), #2843X 5800mAh 7.4V 2-cell 25C LiPo battery (1))
8171A	Wheels, Method 105 2.2" (charcoal gray, beadlock) (beadlock rings sold separately)	2994	Battery/charger completer pack (includes #2970 iD® charger (1), #2849X 4000mAh 11.1v 3-Cell 25C LiPo Battery (1))

Motors & Electronics

1926	Antenna caps, vinyl (2)/ antenna spool	2971	Charger, EZ-Peak® Live Dual, 200W, NiMH/LiPo with iD® Auto Battery Identification
1726	Antenna, tube (1)/ vinyl antenna cap (1)/ wire retainer (1)	2970	Charger, EZ-Peak® Plus, 4 amp, NiMH/LiPo with iD® Auto Battery Identification
2262	BEC, complete (includes receiver box cover and seals)	6525	Communication link, telemetry expander
2064	Gear set (for 2065 waterproof sub-micro servo)	6541	Connector, power tap (with cable) (long)/ wire tie
2064X	Gear set, metal (for 2065X waterproof sub-micro servo)	6512	Cover plate, Traxxas Link™ Wireless Module
2072X	Gear set, metal (for 2070, 2075 servos)	2978	Fuse, charger, 5A (2) (for #2974, 2975, 2977)
2252	Gear set, metal (for 2250, 2255 servos)	2064	Gear set (for 2065 waterproof sub-micro servo)
2072R	Gear set, metal, high speed (for 2070, 2075 servos)	2064X	Gear set, metal (for 2065X waterproof sub-micro servo)
8290X	Motor mount plate, 6061-T6 aluminum (blue-anodized)	2072X	Gear set, metal (for 2070, 2075 servos)
8290A	Motor mount plate, 6061-T6 aluminum (charcoal gray-anodized)	2252	Gear set, metal (for 2250, 2255 servos)
8290G	Motor mount plate, 6061-T6 aluminum (green-anodized)	2072R	Gear set, metal, high speed (for 2070, 2075 servos)
8290R	Motor mount plate, 6061-T6 aluminum (red-anodized)	2968X	LiPo cell voltage checker/balancer (includes #2938X adapter for Traxxas® iD® batteries)
3975R	Motor, Titan® 550, reverse rotation (21-turns/ 14 volts) (1)	2968	LiPo cell voltage checker/balancer (requires #2938X adapter for Traxxas® iD® batteries)
8290	Plate, motor/ upper spur gear cover	6561	Mount, telemetry expander
2254	Servo case, aluminum (blue-anodized) (middle) (for 2250 servo)	6535	Mount, temperature sensor (electric motors)/ wire tie/ thermal pad
2253	Servo case, aluminum (red-anodized) (middle) (for 2255 servo)	6533	Receiver, micro, TQi 2.4GHz with telemetry & TSM (5-channel)
2251	Servo case, plastic (top, middle, bottom)/ gaskets/ hardware (for 2250, 2255 servos)	6552	Seal kit, expander box (includes o-ring, seals, and silicone grease)
2063	Servo case/gaskets (for 2065 waterproof sub-micro servo)	6526	Sensor, auto-detectable, temperature
2063X	Servo case/gaskets (for 2065X metal gear, waterproof, sub-micro servo)	6527	Sensor, auto-detectable, voltage
5669	Servo horn (with built-in spring and hardware) (for Summit locking differential)	6521	Sensor, temperature and voltage (long)
2075R	Servo, digital high-speed, metal gear (ball bearing), waterproof	2254	Servo case, aluminum (blue-anodized) (middle) (for 2250 servo)
2250	Servo, digital high-torque 330 coreless, metal gear (ball bearing), waterproof (#2262 external BEC and #8247X metal servo horn recommended for optimal performance)	2253	Servo case, aluminum (red-anodized) (middle) (for 2255 servo)
2255	Servo, digital high-torque 400 brushless, metal gear (ball bearing), waterproof (#2262 external BEC and #8247 steel servo horn recommended for optimal performance)	2251	Servo case, plastic (top, middle, bottom)/ gaskets/ hardware (for 2250, 2255 servos)
2075X	Servo, digital high-torque, metal gear (ball bearing), waterproof	2063	Servo case/gaskets (for 2065 waterproof sub-micro servo)
2065	Servo, sub-micro, waterproof	2063X	Servo case/gaskets (for 2065X metal gear, waterproof, sub-micro servo)
2065X	Servo, sub-micro, waterproof, metal gear	2075R	Servo, digital high-speed, metal gear (ball bearing), waterproof
3025	XL-5HV 3s Electronic Speed Control, waterproof (low-voltage detection, fwd/rev/brake)	2250	Servo, digital high-torque 330 coreless, metal gear (ball bearing), waterproof (#2262 external BEC and #8247X steel servo horn recommended for optimal performance)
2261	Y-harness, BEC	2255	Servo, digital high-torque 400 brushless, metal gear (ball bearing), waterproof (#2262 external BEC and #8247 metal servo horn recommended for optimal performance)

Radio System, Batteries & Chargers

2849X	4000mAh 11.1v 3-Cell 25C LiPo Battery	6509R	TQi 2.4 GHz High Output radio system, 2-channel, Traxxas Link™ enabled, TSM (2-ch transmitter, 5-ch micro receiver)
2872X	5000mAh 11.1v 3-Cell 25C LiPo Battery		

TRX-4 KIT (82016-4)

6507R	TQi 2.4 GHz High Output radio system, 4-channel with Traxxas Link™ Wireless Module, TSM (4-ch transmitter, 5-ch micro receiver)
6530	Transmitter, TQi Traxxas Link™ enabled, 2.4GHz high output, 4-channel (transmitter only)
6511	Traxxas Link™ Wireless Module
2261	Y-harness, BEC

Scale Details

8022T	Fuel canisters (black) (2)/ 3x8 FCS (1)
8022R	Fuel canisters (blue) (2)/ 3x8 FCS (1)
8022	Fuel canisters (red) (2)/ 3x8 FCS (1)
8022X	Fuel canisters (white) (2)/ 3x8 FCS (1)
8022A	Fuel canisters (yellow) (2)/ 3x8 FCS (1)
8023T	Jack (black) (1)/ 2x8 BCS (1)
8023	Jack (red) (1)/ 2x8 BCS (1)

Shocks (GTS)

8266	Body, GTS shock (aluminum, silver-anodized) (1)
8266X	Body, GTS shock (hard-anodized, PTFE-coated aluminum) (1)
8266A	Body, GTS shock, aluminum (blue-anodized) (1)
8266G	Body, GTS shock, aluminum (green-anodized) (1)
8266R	Body, GTS shock, aluminum (red-anodized) (1)
8264	Caps & spring retainers, GTS shocks (upper cap (2)/ hollow balls (4)/ bottom cap (2)/ upper retainer (2)/ lower retainer (2))
8274	Hollow ball set, complete, TRX-4® (aluminum, PTFE-coated)
5475	Multi-tool (plastic)
8261	Piston, damper (red) (4)/ e-clips (8)
8262	Rebuild kit, GTS shocks (x-rings, o-rings, pistons, bushings, e-clips, and rod ends)
8263	Shock shaft, 3x47mm (GTS) (2)
8263T	Shock shaft, 3x47mm (GTS) (titanium nitride-coated) (2)
8260X	Shocks, GTS hard-anodized, PTFE-coated aluminum bodies with TiN shafts (assembled with spring retainers) (2)
8260A	Shocks, GTS, aluminum (blue-anodized) (assembled with spring retainers) (2)
8260G	Shocks, GTS, aluminum (green-anodized) (assembled with spring retainers) (2)
8260R	Shocks, GTS, aluminum (red-anodized) (assembled with spring retainers) (2)
8260	Shocks, GTS, silver aluminum (assembled with spring retainers) (2)
1666	Silicone shock oil (30 wt)

Slipper Clutch Components

8292	Input shaft/ output shaft (transmission)
8286	Output shafts (transfer case), front & rear
8254	Rebuild kit, slipper clutch (steel disc (2)/ friction insert (2)/ 4.0mm NL (1)/ spring washers (4), metal washer (1))
8249	Slipper eliminator plate

Springs

8042	Springs, shock (natural finish) (GTS) (0.22 rate, yellow stripe) (2)
8043	Springs, shock (natural finish) (GTS) (0.30 rate, white stripe) (2)
8044	Springs, shock (natural finish) (GTS) (0.39 rate, orange stripe) (2)
8041	Springs, shock (natural finish) (GTS) (0.45 rate) (2)
8040	Springs, shock (natural finish) (GTS) (0.54 rate, green stripe) (2)
8045	Springs, shock (natural finish) (GTS) (0.61 rate, blue stripe) (2)

Spur Gears & Pinion Gears

6746	Gear, 10-T pinion (32-p) (steel)/ set screw
6747	Gear, 11-T pinion (32-p) (steel)/ set screw
3942X	Gear, 12-T pinion (32-p), heavy duty (machined, hardened steel)/ set screw
3943X	Gear, 13-T pinion (32-p), heavy duty (machined, hardened steel)/ set screw
3944X	Gear, 14-T pinion (32-p), heavy duty (machined, hardened steel)/ set screw
3945X	Gear, 15-T pinion (32-p), heavy duty (machined, hardened steel)/ set screw
3946X	Gear, 16-T pinion (32-p), heavy duty (machined, hardened steel)/ set screw
3947X	Gear, 17-T pinion (32-p), heavy duty (machined, hardened steel)/ set screw
3948X	Gear, 18-T pinion (32-p), heavy duty (machined, hardened steel)/ set screw
3949X	Gear, 19-T pinion (32-p), heavy duty (machined, hardened steel)/ set screw
3950X	Gear, 20-T pinion (32-p), heavy duty (machined, hardened steel)/ set screw
3951X	Gear, 21-T pinion (32-p), heavy duty (machined, hardened steel)/ set screw
3952X	Gear, 22-T pinion (32-p), heavy duty (machined, hardened steel)/ set screw
6745	Gear, 9-T pinion (32-p) (steel)/ set screw

8279	Ring gear, differential/ pinion gear, differential
8052	Spur gear, 39-tooth (32-pitch)
8053	Spur gear, 45-tooth (32-pitch)

Steering Components

8232	Caster blocks (portal drive), left & right/ kingpin bushings (4)
8232X	Caster blocks, 6061-T6 aluminum (blue-anodized), left and right
8232A	Caster blocks, 6061-T6 aluminum (charcoal gray-anodized), left and right
8232G	Caster blocks, 6061-T6 aluminum (green-anodized), left and right
8232R	Caster blocks, 6061-T6 aluminum (red-anodized), left and right
2072X	Gear set, metal (for 2070, 2075 servos)
2072R	Gear set, metal, high speed (for 2070, 2075 servos)
8274	Hollow ball set, complete, TRX-4® (aluminum, PTFE-coated)
5355	Hollow ball, tall centered (2)/ tall offset hollow ball (2)/ bump steer adjustment shims; 3.5mm (2), 1.17mm (2)
8275	Rod end set, complete (standard (10), angled 10-degrees (8), offset (4))
8276	Rod ends (10)
8277	Rod ends, angled 10-degrees (8)
2742	Rod ends, long (6)/ hollow ball connectors (6)
8278	Rod ends, offset (4)
8247	Servo horn, steering
8247X	Servo horn, steering, metal/ 3x14 BCS (1)
2075R	Servo, digital high-speed, metal gear (ball bearing), waterproof
2075X	Servo, digital high-torque, metal gear (ball bearing), waterproof
5529	Shim set, 3x7x1mm (2), 3x6x0.5mm (4), 3x7x2mm (2)/ hollow balls, captured (4)
8246	Steering link, 5x60mm (1)/ draglink, 5x117mm (1) (steel)
8243	Suspension link, front, 5x100mm (lower) (steel) (2)
8244	Suspension link, front, 5x63mm (upper) (steel) (2)
8248	Suspension link, rear, 5x109mm (upper or lower) (steel) (2)
8245	Suspension link, rear, 5x121mm (upper or lower) (steel) (2)

Suspension Linkage

8274	Hollow ball set, complete, TRX-4® (aluminum, PTFE-coated)
5355	Hollow ball, tall centered (2)/ tall offset hollow ball (2)/ bump steer adjustment shims; 3.5mm (2), 1.17mm (2)
8275	Rod end set, complete (standard (10), angled 10-degrees (8), offset (4))
8276	Rod ends (10)
8277	Rod ends, angled 10-degrees (8)
2742	Rod ends, long (6)/ hollow ball connectors (6)
8278	Rod ends, offset (4)
5529	Shim set, 3x7x1mm (2), 3x6x0.5mm (4), 3x7x2mm (2)/ hollow balls, captured (4)
8243	Suspension link, front, 5x100mm (lower) (steel) (2)
8244	Suspension link, front, 5x63mm (upper) (steel) (2)
8248	Suspension link, rear, 5x109mm (upper or lower) (steel) (2)
8245	Suspension link, rear, 5x121mm (upper or lower) (steel) (2)

Team Traxxas Items

2514	Decal sheet, racing sponsors
6160X	DVD, Maxx® Power! Full Throttle Action (sleeve)
9950	Official Team Traxxas® racing decal set (flag logo/ 6-color)
9909	Traxxas® racing banner, red & black (3x7 feet)

Tires & Wheels

8169T	Beadlock rings, black (1.9") (aluminum) (4)/ 2x10 CS (48)
8168T	Beadlock rings, black (2.2") (aluminum) (4)/ 2x10 CS (48)
8169X	Beadlock rings, blue (1.9") (aluminum) (4)/ 2x10 CS (48)
8168X	Beadlock rings, blue (2.2") (aluminum) (4)/ 2x10 CS (48)
8169G	Beadlock rings, green (1.9") (aluminum) (4)/ 2x10 CS (48)
8168G	Beadlock rings, green (2.2") (aluminum) (4)/ 2x10 CS (48)
8169A	Beadlock rings, orange (1.9") (aluminum) (4)/ 2x10 CS (48)
8168A	Beadlock rings, orange (2.2") (aluminum) (4)/ 2x10 CS (48)
8169R	Beadlock rings, red (1.9") (aluminum) (4)/ 2x10 CS (48)
8168R	Beadlock rings, red (2.2") (aluminum) (4)/ 2x10 CS (48)
8169	Beadlock rings, satin (1.9") (aluminum) (4)/ 2x10 CS (48)
8168	Beadlock rings, satin (2.2") (aluminum) (4)/ 2x10 CS (48)
8176	Center caps, wheel (chrome) (4)/ decal sheet (requires #8255A extended stub axle)
8174	Tires and wheels, assembled (Method 105 1.9" black chrome beadlock wheels, Canyon Trail 4.6x1.9" tires, foam inserts) (1 left, 1 right)
8172	Tires and wheels, assembled (Method 105 2.2" black chrome beadlock wheels, Canyon Trail 5.3x2.2" tires, foam inserts) (1 left, 1 right) (for use with TRX-4 Long Arm Lift Kit)
8166X	Tires and wheels, assembled, glued (1.9" chrome wheels, Canyon Trail 4.6x1.9" tires) (4)/ center caps (4)/ decal sheet (requires #8255A extended stub axle)

8166	Tires and wheels, assembled, glued (1.9" chrome wheels, Canyon Trail 4.6x1.9" tires) (2)/ center caps (2)/ decal sheet (requires #8255A extended stub axle)	8710	Speed Bit Master Set, hex and nut driver, 13-piece, includes premium handle (medium), travel pouch, hex drivers (straight: 1.5mm, 2.0mm, 2.5mm, 3.0mm), (ball-end: 2.0mm, 2.5mm, 3.0mm), and nut drivers (4.00mm, 4.50mm, 5.00mm, 5.50mm, 7.00mm, 8.00mm),
8177	Tires and wheels, assembled, glued (1.9" chrome wheels, Canyon Trail 4.6x1.9" tires) (2)/ center caps (2)/ decal sheet (requires #8255A extended stub axle)	8711	Speed Bit Master Set, hex driver, 7-piece straight and ball end, includes premium handle (medium), travel pouch, hex drivers (straight: 1.5mm, 2.0mm, 2.5mm, 3.0mm) (ball end: 2.0mm, 2.5mm, 3.0mm), 1/4" drive
8183X	Tires and wheels, assembled, glued (1.9" classic chrome wheels, Canyon Trail 4.6x1.9" tires) (4)/ center caps (4) (requires #8255A extended stub axle)	8719	Speed Bit Master Set, nut driver, 6-piece, includes premium handle (medium), travel pouch, and nut drivers (4.0mm, 4.5mm, 5.0mm, 5.5mm, 7.0mm, 8.0mm), 1/4" drive
8273	Tires and wheels, assembled, glued (Tactical 1.9" wheels, Canyon Trail 4.6x1.9" tires) (2)	8716	Speed Bit Set, hex driver, 2-piece ball-end (2.0mm, 2.5mm), 1/4" drive
8272X	Tires and wheels, assembled, glued (TRX-4® 1.9" satin beadlock wheels, Canyon Trail 4.6x1.9" tires) (2)	8716X	Speed Bit Set, hex driver, 3-piece ball-end (2.0mm, 2.5mm, 3.0mm), 1/4" drive
8272	Tires and wheels, assembled, glued (TRX-4® 1.9" wheels, Canyon Trail 4.6x1.9" tires) (2)	8715	Speed Bit Set, hex driver, 3-piece straight (1.5mm, 2.0mm, 2.5mm), 1/4" drive
8181	Tires and wheels, assembled, glued (TRX-4® Sport 2.2" wheels, Canyon Trail 5.3x2.2" tires) (2) (for use with TRX-4 Long Arm Lift Kit)	8715X	Speed Bit Set, hex driver, 4-piece straight (1.5mm, 2.0mm, 2.5mm, 3.0mm), 1/4" drive
8270	Tires, Canyon Trail 4.6x1.9" (S1 compound)/ foam inserts (2)	3415	Tool set with pouch (includes 1.5mm, 2.0mm, 2.5mm, 3.0mm, 3.5mm, 4mm drivers/ 4mm, 5mm, 5.5mm, 7mm and 8mm nut drivers/ 2mm, 4mm, and 5mm slotted screwdrivers/ #00 Phillips, #0 Phillips, and #1 Phillips screwdrivers/ 4mm and 8mm wrench/ driver handle
8170	Tires, Canyon Trail 5.3x2.2" / foam inserts (2) (for use with TRX-4 Long-Arm Lift Kit)		
8269	Wheel hubs, 12mm hex (2)/ stub axle pins (2) (steel)		
8269X	Wheel hubs, 12mm hex, 6061-T6 aluminum (blue-anodized) (4)/ screw pin (4)		
8269A	Wheel hubs, 12mm hex, 6061-T6 aluminum (charcoal gray-anodized) (4)/ screw pin (4)		
8269G	Wheel hubs, 12mm hex, 6061-T6 aluminum (green-anodized) (4)/ screw pin (4)		
8269R	Wheel hubs, 12mm hex, 6061-T6 aluminum (red-anodized) (4)/ screw pin (4)		
8175	Wheels, 1.9", chrome (2)/ center caps (2)/ decal sheet (requires #8255A extended stub axle)		
8173	Wheels, Method 105 1.9" (black chrome, beadlock) (beadlock rings sold separately)		
8173A	Wheels, Method 105 1.9" (charcoal gray, beadlock) (beadlock rings sold separately)		
8171	Wheels, Method 105 2.2" (black chrome, beadlock) (beadlock rings sold separately) (for use with TRX-4 Long Arm Lift Kit)		
8171A	Wheels, Method 105 2.2" (charcoal gray, beadlock) (beadlock rings sold separately) (for use with TRX-4 Long Arm Lift Kit)		
8268	Wheels, Tactical 1.9 (2)		
8271	Wheels, TRX-4® 1.9 (2)		
8271X	Wheels, TRX-4® 1.9 (satin beadlock) (2)		

Transmission Components

8283	Cable, T-lock (front)
8284	Cable, T-lock (rear)
8289	Drive hub, 2-speed/ shift dog/ shift fork/ 2-speed linkage
8293X	Gear set, transmission, metal (includes 18T, 30T input gears, 36T output gear, 2x9.8 pins (5))
8291	Gearbox housing (includes main housing, front housing, & cover)
8285	Gears, transfer case (3)
5041	Grease, premium high performance (20cc)
8292	Input shaft/ output shaft (transmission)
8290X	Motor mount plate, 6061-T6 aluminum (blue-anodized)
8290A	Motor mount plate, 6061-T6 aluminum (charcoal gray-anodized)
8290G	Motor mount plate, 6061-T6 aluminum (green-anodized)
8290R	Motor mount plate, 6061-T6 aluminum (red-anodized)
8295	Output drive, transmission or differential (pin retainer (1)/ drive cup (1) drive ball (1)/ drive pin (1)/ 3x11 screw pin (1)/ cross pin (black) (1) 3x6 BCS with threadlock (1))
8294	Output gear, high range, 24T (metal)
8286	Output shafts (transfer case), front & rear
8290	Plate, motor/ upper spur gear cover
8249	Slipper eliminator plate
8296	Transmission gears, single speed, metal

Traxxas Tools

3433X	Body reamer (aluminum handle)
3433	Body reamer (plastic handle)
3436	Cap, body reamer
3432	Scissors, curved tip
3431	Scissors, straight tip
8712	Speed Bit Essentials Set, hex and nut driver, 7-piece, includes premium handle (medium), travel pouch, hex drivers (straight: 1.5mm, 2.0mm, 2.5mm) and nut drivers (5.0mm, 5.5mm, 7.0mm, and 8.0mm), 1/4" drive
8721	Speed bit handle, medium (one piece)
8720	Speed bit handle, premium, large (rubber overmold)
8722	Speed bit handle, premium, medium (rubber overmold)

TRX-4® Traxx™	
8889	Bearing retainers, inner (2), outer (2)
8890	Drive wheel (1)
8885	Shock mounts (frame, left (2), frame, right (2))/ portal mounts (1 each, front (left & right), rear (left & right))
8888	Spring (4)
8887	Stub axle (1)
8886	Stub axle nut (4)
8891	Tension wheels (6)/ road wheels (4)
8881	Traxx™, front, left (assembled) (requires #8886 stub axle, #7061 GTR shock, & #8878 or #8895 rubber track)
8882	Traxx™, front, right (assembled) (requires #8886 stub axle, #7061 GTR shock, & #8878 or #8895 rubber track)
8883	Traxx™, rear, left (assembled) (requires #8886 stub axle, #7061 GTR shock, & #8879 or #8896 rubber track)
8884	Traxx™, rear, right (assembled) (requires #8886 stub axle, #7061 GTR shock, & #8879 or #8896 rubber track)
8880	Traxx™, TRX-4® (4) (complete set, front & rear)
8895	Treads, All-Terrain, TRX-4® Traxx™ (front, left or right) (rubber) (1)
8896	Treads, All-Terrain, TRX-4® Traxx™ (rear, left or right) (rubber) (1)

If you have questions or need technical assistance, call Traxxas at:

1-888-TRAXXAS

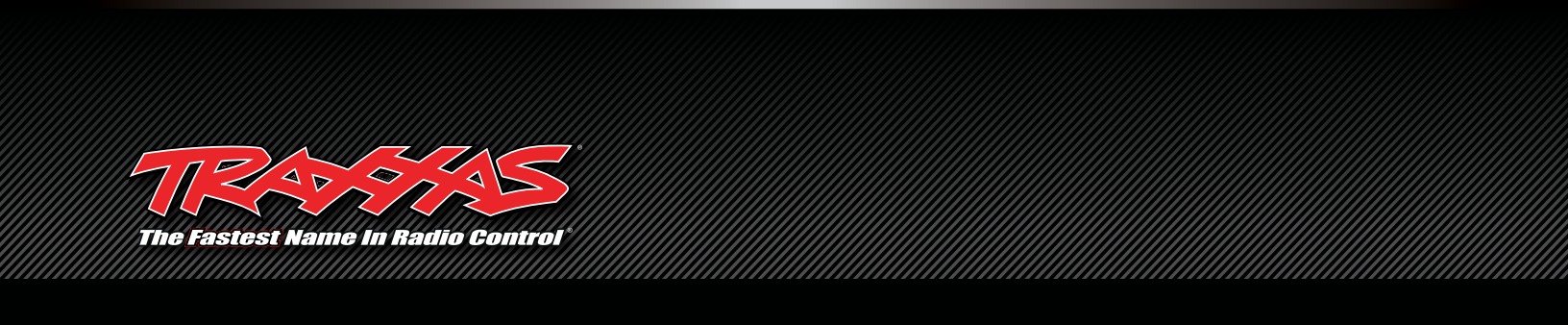
(1-888-872-9927) (U.S. residents only)

For orders, calls outside the U.S., and other information, call 972-549-3000, or fax to 972-549-3011 e-mail Traxxas at support@Traxxas.com

TRAXXAS.COM



TRAXXAS[®]
The Fastest Name In Radio Control[®]




Mercedes-Benz G 63 AMG 6x6

TRX6**MODEL 88096-4****6X6 ELECTRIC
SCALE & TRAIL CRAWLER**

TQi 2.4GHz TRANSMITTER

TITAN 21T 550 MOTOR AND
XL-5 HV ELECTRONIC
SPEED CONTROL

GTS ALUMINUM SHOCKS

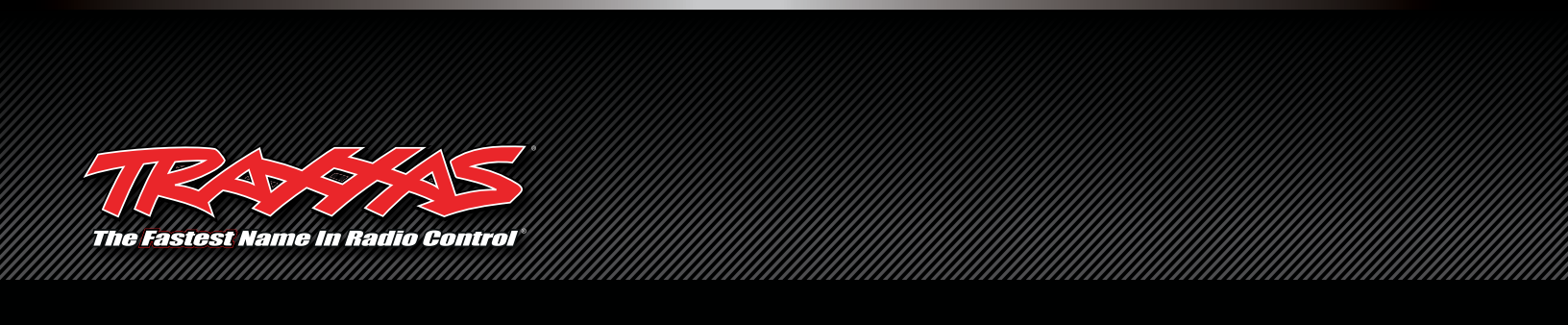
"Mercedes-Benz",  and the design of the enclosed product are subject to intellectual property protection owned by Daimler AG. They are used by Traxxas LP under license.

TAKE THE PATH LESS TRAVELED

The Mercedes-Benz G 63 AMG 6x6 represents a singular vision to create the boldest and toughest all-terrain vehicle ever. Traxxas captures the spirit and no-compromise approach of the Mercedes-Benz G 63 AMG 6x6 with an officially licensed detailed scale replica built on the new TRX-6™ platform. Six drive wheels, three T-Lock™ remote-locking differentials, portal axles, high/low transmission, 6 aluminum long-travel shocks, and a stunningly accurate body with brilliant LED lighting make this the most advanced and capable RC crawler ever to hit the trail.

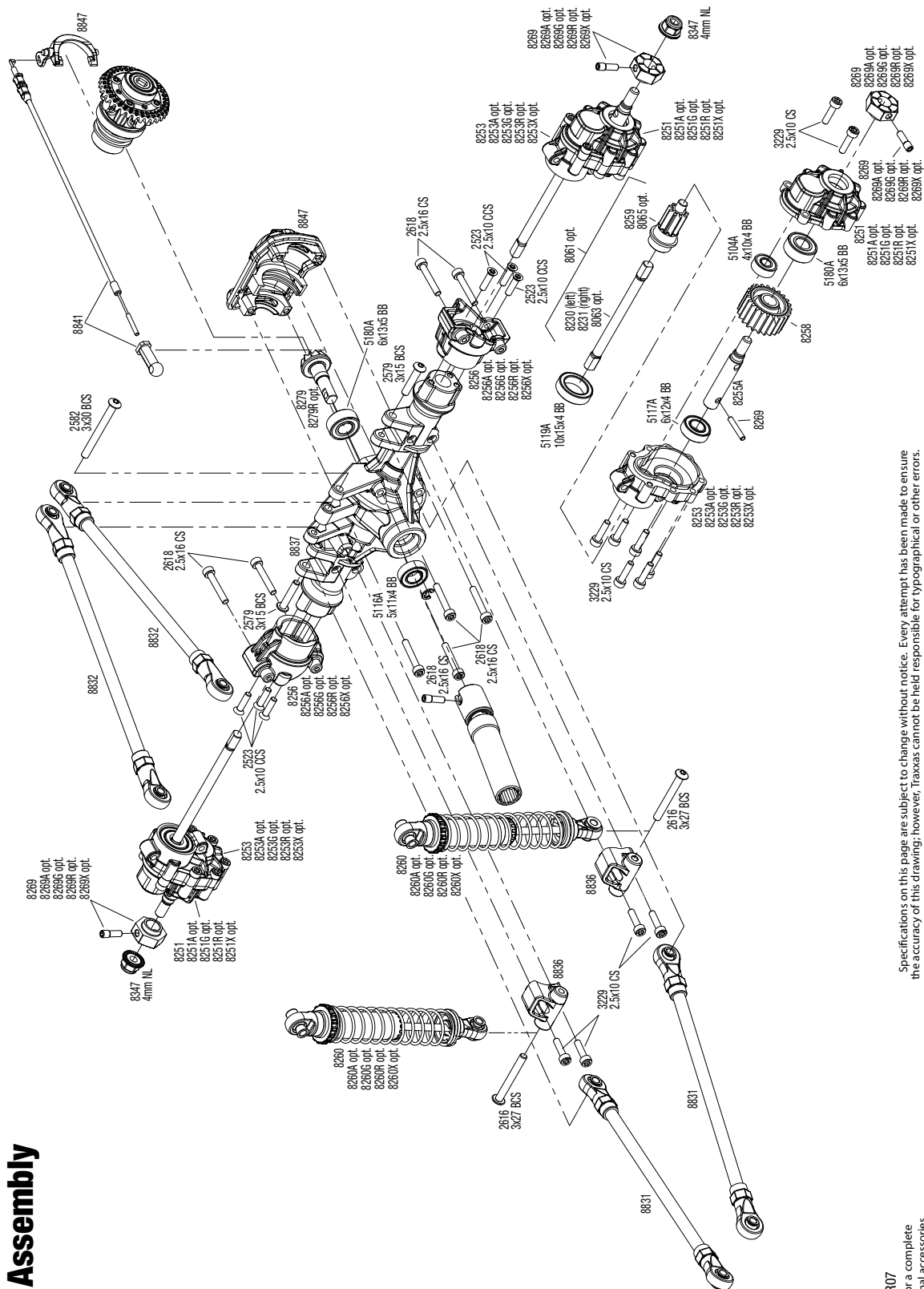


TRAXXAS
The Fastest Name In Radio Control



G 63 6X6 (88096-4)

EXPLODED VIEWS



Specifications on this page are subject to change without notice. Every attempt has been made to ensure the accuracy of this drawing; however, Traxxas cannot be held responsible for typographical or other errors.



Rear Assembly

Questions? Call toll-free, 1-888-TRAXXAS

REV 200129-R07
See Parts List for a complete listing of optional accessories.

G 63 6X6 (88096-4)**PARTS SHOWN IN BOLD ARE OPTIONAL ACCESSORIES.**

Part categories and individual part listings are arranged alphabetically.

Axle Components

8241	Axle housing, front
8242	Axle housing, intermediate (TRX-6™) or rear (TRX-4®)
8837	Axle housing, rear (TRX-6™)
8227	Axle mount set (complete) (front & rear) (for suspension links)
8836	Axle mount set (rear) (for suspension links)
8228	Axle shaft, front (left)/ drive pin/ cross pin
8229	Axle shaft, front (right)/ drive pin/ cross pin
8060	Axle shaft, front, heavy duty (left & right) (requires #8064 front portal drive input gear)
8062	Axle shaft, front, heavy duty (left & right)/ portal drive input gear (machined) (2) (assembled)
8230	Axle shaft, rear (left)
8231	Axle shaft, rear (right)
8061	Axle shaft, rear, heavy duty (left & right)/ portal drive input gear, rear (machined)
8063	Axle, rear, heavy duty (left & right) (requires #8065 rear portal drive input gear)
8233	Cross pin (2)/ drive pin (2) (to rebuild front axle shafts)
8256	Portal drive axle mount, rear (left & right)
8256X	Portal drive axle mount, rear, 6061-T6 aluminum (blue-anodized) (left and right)/ 2.5x16 CS (4)
8256A	Portal drive axle mount, rear, 6061-T6 aluminum (charcoal gray-anodized) (left and right)/ 2.5x16 CS (4)
8256G	Portal drive axle mount, rear, 6061-T6 aluminum (green-anodized) (left and right)/ 2.5x16 CS (4)
8256R	Portal drive axle mount, rear, 6061-T6 aluminum (red-anodized) (left and right)/ 2.5x16 CS (4)
8252	Portal drive housing, inner, front (left & right)/ 2.5x4 BCS (6)
8253	Portal drive housing, inner, rear (left or right) (2)
8251	Portal drive housing, outer (front or rear) (2)
8064	Portal drive input gear, front (machined) (left or right) (requires #8060 front axle shaft)
8257	Portal drive input gear, front/ drive pin/ cross pin
8259	Portal drive input gear, rear
8065	Portal drive input gear, rear (machined) (left or right) (requires #8063 rear axle)
8258	Portal drive output gear, front or rear
8252X	Portal housings, inner (front), 6061-T6 aluminum (blue-anodized) (2)/ 3x12 BCS (2)
8252A	Portal housings, inner (front), 6061-T6 aluminum (charcoal gray-anodized) (2)/ 3x12 BCS (2)
8252G	Portal housings, inner (front), 6061-T6 aluminum (green-anodized) (2)/ 3x12 BCS (2)
8252R	Portal housings, inner (front), 6061-T6 aluminum (red-anodized) (2)/ 3x12 BCS (2)
8253X	Portal housings, inner (rear), 6061-T6 aluminum (blue-anodized) (2)/ 2.5x10 CS (2)
8253A	Portal housings, inner (rear), 6061-T6 aluminum (charcoal gray-anodized) (2)/ 2.5x10 CS (2)
8253G	Portal housings, inner (rear), 6061-T6 aluminum (green-anodized) (2)/ 2.5x10 CS (2)
8253R	Portal housings, inner (rear), 6061-T6 aluminum (red-anodized) (2)/ 2.5x10 CS (2)
8251X	Portal housings, outer, 6061-T6 aluminum (blue-anodized) (2)/ 2.5x10 CS (12)
8251A	Portal housings, outer, 6061-T6 aluminum (charcoal gray-anodized) (2)/ 2.5x10 CS (12)
8251G	Portal housings, outer, 6061-T6 aluminum (green-anodized) (2)/ 2.5x10 CS (12)
8251R	Portal housings, outer, 6061-T6 aluminum (red-anodized) (2)/ 2.5x10 CS (12)
8255A	Stub axle, extended (portal drive) (2)
8267	Weight, portal housing, brass (34 grams) (2)/ 2.5x8 CS (6) (requires #8251X, #8251R, #8251A, or #8251G outer portal housing)

Bearings & Bushings

5119A	Ball bearings, black rubber sealed (10x15x4mm) (2)
5120A	Ball bearings, black rubber sealed (12x18x4mm) (2)
5104A	Ball bearings, black rubber sealed (4x10x4mm) (2)
5115A	Ball bearings, black rubber sealed (5x10x4mm) (2)
5116A	Ball bearings, black rubber sealed (5x11x4mm) (2)
5114A	Ball bearings, black rubber sealed (5x8x2.5mm) (2)
5117A	Ball bearings, black rubber sealed (6x12x4mm) (2)
5180A	Ball bearings, black rubber sealed (6x13x5mm) (2)
5103A	Ball bearings, black rubber sealed (7x14x5mm) (2)

Body (Mercedes-Benz® G 63®)

8825	Body, Mercedes-Benz® G 63® (clear, requires painting)/ decals/ window masks (includes grille, side mirrors, door handles, & windshield wipers)
8825R	Body, Mercedes-Benz® G 63®, complete (gloss black metallic) (includes grille, side mirrors, door handles, & windshield wipers)
8825X	Body, Mercedes-Benz® G 63®, complete (matte graphite metallic) (includes grille, side mirrors, door handles, & windshield wipers)
8825A	Body, Mercedes-Benz® G 63®, complete (pearl white) (includes grille, side mirrors, door handles, & windshield wipers)
8826	Decals, Mercedes-Benz® G 63®
8813X	Grille, Mercedes-Benz® G 500® 4x4 ² / grille mount/ grille insert/ headlight lens (2)/ headlight reflector (2)/ reflector lens (2)/ bumperette front (2)/ bumperette mount (2)/ turn signal housing (2)/ turn signal housing retainer (2)/ turn signal lens
8827	Grille, Mercedes-Benz® G 63®/ roll bar/ mounts, left & right/ 2.6x8 BCS (self-tapping) (2)/ 2.5x10 CS (4) (fits #8825 body)
8817	Mirrors, side, black (left & right)/ o-rings (4)/ windshield wipers, left, right, & rear/ wiper retainers (2)/ body clips (4)/ 1.6x5 BCS (self-tapping) (3)
8822	Roof visor/ visor retainer/ visor lens (2)/ 2.6x6 BCS (3)/ 3x4 GS (4)
8816X	Side marker light housing (2)/ mount (2)/ lens (2)/ 1.6x7 BCS (self-tapping) (2)
8815X	Side trim, left & right (black)/ side trim retainers (8)/ door handles, left, right, & rear/ door handle mount/ 1.6x5 BCS (self-tapping) (42)
8814X	Tail light lens (2)/ tail light housing (2)/ tail light housing mount (2)/ reverse lens (2)/ 1.6x5 BCS (4) (left & right)

Body Accessories

1926	Antenna caps, vinyl (2)/ antenna spool
1726	Antenna, tube (1)/ vinyl antenna cap (1)/ wire retainer (1)
1834	Body clips (12) (standard size)
1834A	Body clips, black (12) (standard size)
3934	Body clips, heavy duty (12)
3934A	Body clips, heavy duty (black) (12)
8215	Body mounts & posts, front & rear (complete set)
8115	Body posts, front & rear
4915	Body washers, foam adhesive (10)
2514	Decal sheet, racing sponsors
8081	Fender extensions (4)/ 3x8 flat-head screws (24) (requires #8080 narrow inner fenders)
8080	Fenders, inner (narrow), front & rear (2 each)/ rock light covers (8)/ battery plate/ 3x8 flat-head screws (4)
8828	Fenders, inner (narrow), rear (2)/ rock light covers (6)/ 2.5x6 CS (8)
8072	Fenders, inner, front & rear (2 each)/ rock light covers (8)/ battery plate/ 3x8 flat-head screws (4)
9950	Official Team Traxxas® racing decal set (flag logo/ 6-color)

Bumpers & Skidplates

8234	Bumper D-Rings, grey (front or rear)/ 2x12 CS (4)
8234R	Bumper D-rings, red (front or rear)/ 2.0x12 CS (4)
8067	Bumper mounts, front & rear
8067X	Bumper mounts, front & rear/ bumper mount, rear (offset)
8237	Bumper mounts, front & rear/ screw pins (4)
8124	Bumper, front (178mm wide)/ winch/ 2.6x8 BCS (1)
8137	Bumper, front (chrome)/ bumper mount/ 3x10 BCS (2)
8235	Bumper, front/ winch
8236	Bumper, rear
8125	Bumper, rear (176mm wide)
8136	Bumper, rear (chrome)/ bumper mount/ 3x8 BCS (2)
8834	Bumper, rear (without trailer hitch receiver)
8820	Bumpers, front & rear
8835	Skid plates, Mercedes-Benz® G 63®, front & rear (satin-plated finish)/ 3x10 CCS (4)/ 3x10 BCS (4)
8830	Suspension mount, rear, TRX-6™ (1)/ chassis crossmember, rear (1)/ suspension link mounts (left & right)

Chassis & Attachments

8223	Battery plate/ battery strap/ 3x8 flat-head screws (4) (requires #8072 inner fenders)
8215	Body mounts & posts, front & rear (complete set)
8224	Box, receiver (sealed)/ wire cover/ foam pads/ silicone grease/ 3x8 BCS (5)/ 2.5x8 CS (2)
8829	Chassis rails, 590mm (steel) (left & right)
8818	Exhaust pipes (left & right)
8081	Fender extensions (4)/ 3x8 flat-head screws (24) (requires #8080 narrow inner fenders)
8080	Fenders, inner (narrow), front & rear (2 each)/ rock light covers (8)/ battery plate/ 3x8 flat-head screws (4)

8828	Fenders, inner (narrow), rear (2)/ rock light covers (6)/ 2.5x6 CS (8)
8218	Floor pans, left & right
8224X	Receiver box cover (for use only with #8224 receiver box & #2260 BEC)/ foam pads/ seals/ silicone grease
8819	Rock sliders/ rock slider caps (left & right)
8225	Seal kit, receiver box (includes o-ring, seals, and silicone grease)
8240X	Servo mount, 2-speed/ servo mount, T-Lock/ wire clips
8239	Servo mount, steering/ chassis crossmember
8216	Shock towers, front & rear (left & right)
8830	Suspension mount, rear, TRX-6™ (1)/ chassis crossmember, rear (1)/ suspension link mounts (left & right)
8226	Tray, battery

Differential Components

8840	Cable, T-lock (4XL)
8281	Carrier, differential/ differential slider/ T-Lock fork
8280A	Differential cover, front or rear (black)
8280X	Differential cover, front or rear (chrome-plated)
8280	Differential cover, front or rear (grey)
8280R	Differential cover, front or rear (red)
8846	Differential cover, TRX-6™ intermediate (black)
8847	Differential cover, TRX-6™ rear (black)/ T-lock fork (grey)
8195	Differential, locking, front and rear (assembled) (includes T-Lock cables and servo)
8282	Gear set, differential (output gears (2), spider gears (4), spider gear shaft (2))
8849	Output drive, transmission or differential (pin retainer (1)/ drive cup (1)/ drive ball (1)/ center ball (1)/ drive pin (1)/ 3x10 screw pin (1)/ cross pin (black) (1)/ 2.5x6 CS (with threadlock) (1)) (use with TRX-6™ axle configuration)
8295	Output drive, transmission or differential (pin retainer (1)/ drive cup (1)/ drive ball (1)/ drive pin (1)/ 3x11 screw pin (1)/ cross pin (black) (1) 3x6 BCS with threadlock (1))
8279	Ring gear, differential/ pinion gear, differential
8279R	Ring gear, differential/ pinion gear, differential (machined)
8287	Ring gear, differential/ pinion gear, differential (overdrive, machined)
8288	Ring gear, differential/ pinion gear, differential (underdrive, machined)
8297	Spool/ differential housing plug/ e-clip

Driveline Components

8850	Half shafts, center (internal splined, extra short (1)/ external splined, extra short (1)) (plastic parts only)
8250	Half shafts, center (internal splined, front (2) & internal splined, rear (2)/ external splined (2)/ pin retainer (4)) (plastic parts only)
8255A	Stub axle, extended (portal drive) (2)
8269	Wheel hubs, 12mm hex (2)/ stub axle pins (2) (steel)
8269X	Wheel hubs, 12mm hex, 6061-T6 aluminum (blue-anodized) (4)/ screw pin (4)
8269A	Wheel hubs, 12mm hex, 6061-T6 aluminum (charcoal gray-anodized) (4)/ screw pin (4)
8269G	Wheel hubs, 12mm hex, 6061-T6 aluminum (green-anodized) (4)/ screw pin (4)
8269R	Wheel hubs, 12mm hex, 6061-T6 aluminum (red-anodized) (4)/ screw pin (4)

Hardware

1552	Backplate screws (3x8mm cap-head machine) (6)/ washers (6)/ wrench
1834	Body clips (12) (standard size)
1834A	Body clips, black (12) (standard size)
3934	Body clips, heavy duty (12)
3934A	Body clips, heavy duty (black) (12)
8167X	Hardware kit, stainless steel, beadlock rings (contains stainless steel hardware for 4 wheels)
5476X	Hex wrenches; 1.5mm, 2mm, 2.5mm, 3mm, 2.5mm ball
3647	Nuts, 4mm flanged nylon locking (steel, serrated) (8)
8347	Nuts, 4mm flanged nylon locking, serrated (black) (10)
1747R	Nuts, aluminum, flanged, serrated (4mm) (blue-anodized) (4)
1747G	Nuts, aluminum, flanged, serrated (4mm) (green-anodized) (4)
1747P	Nuts, aluminum, flanged, serrated (4mm) (pink-anodized) (4)
1985	PTFE-coated washers, 5x8x0.5mm (20) (use with ball bearings)
8221	Screw pin, 3x10mm (6)
3229	Screws, 2.5x10mm cap-head machine (hex drive) (6)
2523	Screws, 2.5x10mm countersunk machine (hex drive) (6)
3236	Screws, 2.5x12mm cap-head machine (6)
2618	Screws, 2.5x16mm cap-head machine (6)
3215	Screws, 2.5x6mm cap-head machine (hex drive) (6)
2617	Screws, 2.5x8mm button-head machine (hex drive) (6)
3965	Screws, 2.5x8mm cap-head machine (6)
2524	Screws, 2.5x8mm countersunk machine (hex drive) (6)

8299	Screws, 2.6x12mm button-head, self-tapping (hex drive) (6)
8167	Screws, 2x10mm cap-head, self-tapping (hex drive) (10)
2564	Screws, 2x8mm cap-head machine (hex drive) (6)
2577	Screws, 3x10mm button-head machine (hex drive) (6)
4859	Screws, 3x10mm flat-head machine (hex drive) (4)
2578	Screws, 3x12mm button-head machine (hex drive) (6)
2579	Screws, 3x15mm button-head machine (hex drive) (6)
2591	Screws, 3x23mm button-head machine (hex drive) (6)
2581	Screws, 3x25mm button-head machine (hex drive) (6)
2616	Screws, 3x27mm button-head machine (hex drive) (6)
2582	Screws, 3x30mm button-head machine (hex drive) (6)
2575	Screws, 3x6mm button-head machine (hex drive) (6)
3932	Screws, 3x6mm flat-head machine (hex drive) (6)
2576	Screws, 3x8mm button-head machine (hex drive) (6)
3931	Screws, 3x8mm flat-head machine (hex drive) (6)
3933	Screws, 4x16mm button-head machine (hex drive) (6)

LED Light Accessories

8031	3-in-1 wire harness, LED light kit
8089	4-in-2 wire harness, LED light kit
8897	LED light harness, rock lights, TRX-6™ (requires #8026X for complete rock light set)
8899	LED light set (contains headlights, tail lights, roof lights, and distribution block) (fits #8811 or #8825 body, requires #8028 power supply)
8898	LED light set, complete with power supply (contains headlights, tail lights, roof lights, & distribution block) (fits #8811 or #8825 body)
8028	LED lights, power supply (regulated, 3V, 0.5-amp)/ 3-in-1 wire harness
8026X	LED rock light kit, TRX-4®/TRX-6™ (requires #8028 power supply and #8018, #8072, or #8080 inner fenders)

Motors & Electronics

1926	Antenna caps, vinyl (2)/ antenna spool
1726	Antenna, tube (1)/ vinyl antenna cap (1)/ wire retainer (1)
2262	BEC, complete (includes receiver box cover and seals)
2064	Gear set (for 2065 waterproof sub-micro servo)
2064X	Gear set, metal (for 2065X waterproof sub-micro servo)
2072X	Gear set, metal (for 2070, 2075 servos)
2252	Gear set, metal (for 2250, 2255 servos)
2072R	Gear set, metal, high speed (for 2070, 2075 servos)
8290X	Motor mount plate, 6061-T6 aluminum (blue-anodized)
8290A	Motor mount plate, 6061-T6 aluminum (charcoal gray-anodized)
8290G	Motor mount plate, 6061-T6 aluminum (green-anodized)
8290R	Motor mount plate, 6061-T6 aluminum (red-anodized)
3975R	Motor, Titan® 550, reverse rotation (21-turns/ 14 volts) (1)
8290	Plate, motor/ upper spur gear cover
2254	Servo case, aluminum (blue-anodized) (middle) (for 2250 servo)
2253	Servo case, aluminum (red-anodized) (middle) (for 2255 servo)
2251	Servo case, plastic (top, middle, bottom)/ gaskets/ hardware (for 2250, 2255 servos)
2063	Servo case/gaskets (for 2065 waterproof sub-micro servo)
2063X	Servo case/gaskets (for 2065X metal gear, waterproof, sub-micro servo)
5669	Servo horn (with built-in spring and hardware) (for Summit locking differential)
8843	Servo horn (with built-in spring and hardware) (for TRX-6™ locking differential)
2075R	Servo, digital high-speed, metal gear (ball bearing), waterproof
2250	Servo, digital high-torque 330 coreless, metal gear (ball bearing), waterproof (#2262 external BEC and #8247X metal servo horn recommended for optimal performance)
2255	Servo, digital high-torque 400 brushless, metal gear (ball bearing), waterproof (#2262 external BEC and #8247 steel servo horn recommended for optimal performance)
2075X	Servo, digital high-torque, metal gear (ball bearing), waterproof
2065	Servo, sub-micro, waterproof
2065X	Servo, sub-micro, waterproof, metal gear
3025	XL-5HV 3s Electronic Speed Control, waterproof (low-voltage detection, fwd/rev/brake)
2261	Y-harness, BEC

Radio System, Batteries & Chargers

2849X	4000mAh 11.1v 3-Cell 25C LiPo Battery
2872X	5000mAh 11.1v 3-Cell 25C LiPo Battery
2842X	5000mAh 7.4v 2-Cell 25C LiPo Battery
2843X	5800mAh 7.4v 2-Cell 25C LiPo Battery
2869X	7600mAh 7.4v 2-Cell 25C LiPo Battery
2976	AC to DC converter, 40W
2938X	Adapter, Traxxas® iD® LiPo battery (adapts Traxxas iD batteries to separate balance ports)
1726	Antenna, tube (1)/ vinyl antenna cap (1)/ wire retainer (1)
2943	Battery charge indicators (green (4), blue (4), grey (4))

G 63 6X6 (88096-4)

6548	Battery door, transmitter (replacement for #6516, 6517, 6528, 6529, 6530 transmitters)
8222	Battery strap (for 2200 2-cell and 1400 3-cell LiPo batteries)
2914	Battery, Power Cell AA Alkaline (4)
2923X	Battery, Power Cell, 3000mAh (NiMH, 7-C flat, 8.4V)
2940X	Battery, Series 3 Power Cell, 3300mAh (NiMH, 7-C flat, 8.4V)
2950X	Battery, Series 4 Power Cell, 4200mAh (NiMH, 7-C flat, 8.4V)
2960X	Battery, Series 5 Power Cell, 5000mAh (NiMH, 7-C flat, 8.4V)
2983	Battery/charger completer pack (includes #2969 2-amp NiMH peak detecting AC charger (1), #2923X 3000mAh 8.4V 7-cell NiMH battery (1))
2992	Battery/charger completer pack (includes #2970 iD® charger (1), #2843X 5800mAh 7.4V 2-cell 25C LiPo battery (1))
2994	Battery/charger completer pack (includes #2970 iD® charger (1), #2849X 4000mAh 11.1v 3-Cell 25C LiPo Battery (1))
2991	Battery/charger completer pack (includes #2972 Dual iD® charger (1), #2869X 7600mAh 7.4V 2-cell 25C LiPo Battery (2))
2262	BEC, complete (includes receiver box cover and seals)
2975	Charger, DC, 4 amp (6 - 7 cell, 7.2 - 8.4 volt, NiMH)
2972	Charger, EZ-Peak® Dual, 100W, NiMH/LiPo with iD® Auto Battery Identification
2973	Charger, EZ-Peak® Live Dual, 200W, NiMH/LiPo with iD® Auto Battery Identification
2971	Charger, EZ-Peak® Live, 100W, NiMH/LiPo with iD® Auto Battery Identification
2970	Charger, EZ-Peak® Plus, 4 amp, NiMH/LiPo with iD® Auto Battery Identification
6525	Communication link, telemetry expander
6541	Connector, power tap (with cable) (long)/ wire tie
6512	Cover plate, Traxxas Link™ Wireless Module
2978	Fuse, charger, 5A (2) (for #2974, 2975, 2977)
2064	Gear set (for 2065 waterproof sub-micro servo)
2064X	Gear set, metal (for 2065X waterproof sub-micro servo)
2072X	Gear set, metal (for 2070, 2075 servos)
2252	Gear set, metal (for 2250, 2255 servos)
2072R	Gear set, metal, high speed (for 2070, 2075 servos)
2968X	LiPo cell voltage checker/balancer (includes #2938X adapter for Traxxas® iD® batteries)
2968	LiPo cell voltage checker/balancer (requires #2938X adapter for Traxxas® iD® batteries)
6561	Mount, telemetry expander
6535	Mount, temperature sensor (electric motors)/ wire tie/ thermal pad
6533	Receiver, micro, TQi 2.4GHz with telemetry & TSM (5-channel)
6552	Seal kit, expander box (includes o-ring, seals, and silicone grease)
6526	Sensor, auto-detectable, temperature
6527	Sensor, auto-detectable, voltage
6521	Sensor, temperature and voltage (long)
2254	Servo case, aluminum (blue-anodized) (middle) (for 2250 servo)
2253	Servo case, aluminum (red-anodized) (middle) (for 2255 servo)
2251	Servo case, plastic (top, middle, bottom)/ gaskets/ hardware (for 2250, 2255 servos)
2063	Servo case/gaskets (for 2065 waterproof sub-micro servo)
2063X	Servo case/gaskets (for 2065X metal gear, waterproof, sub-micro servo)
2075R	Servo, digital high-speed, metal gear (ball bearing), waterproof
2250	Servo, digital high-torque 330 coreless, metal gear (ball bearing), waterproof (#2262 external BEC and #8247X metal servo horn recommended for optimal performance)
2255	Servo, digital high-torque 400 brushless, metal gear (ball bearing), waterproof (#2262 external BEC and #8247 steel servo horn recommended for optimal performance)
2075X	Servo, digital high-torque, metal gear (ball bearing), waterproof
2065	Servo, sub-micro, waterproof
2065X	Servo, sub-micro, waterproof, metal gear
6553X	Telemetry expander 2.0 and GPS module 2.0, TQi radio system
6550X	Telemetry expander 2.0, TQi radio system (for use only with #6551X GPS module)
6551X	Telemetry GPS module 2.0, TQi radio system (for use only with #6550X telemetry expander)
6509R	TQi 2.4 GHz High Output radio system, 2-channel, Traxxas Link™ enabled, TSM (2-ch transmitter, 5-ch micro receiver)
6507R	TQi 2.4 GHz High Output radio system, 4-channel with Traxxas Link™ Wireless Module, TSM (4-ch transmitter, 5-ch micro receiver)
6530	Transmitter, TQi Traxxas Link™ enabled, 2.4GHz high output, 4-channel (transmitter only)
6511	Traxxas Link™ Wireless Module
2261	Y-harness, BEC

Ready-To-Race Model

88096-4	TRX-6™ Scale and Trail™ Crawler with Mercedes-Benz® G 63® AMG Body: 6X6 Electric Trail Truck with TQi Traxxas Link™ Enabled 2.4GHz Radio System
---------	-------------------------------------------------------------------------------------------------------------------------------------------------

Shocks (GTS)

8266	Body, GTS shock (aluminum, silver-anodized) (1)
8266X	Body, GTS shock (hard-anodized, PTFE-coated aluminum) (1)
8266A	Body, GTS shock, aluminum (blue-anodized) (1)
8266G	Body, GTS shock, aluminum (green-anodized) (1)
8266R	Body, GTS shock, aluminum (red-anodized) (1)
8264	Caps & spring retainers, GTS shocks (upper cap (2)/ hollow balls (4)/ bottom cap (2)/ upper retainer (2)/ lower retainer (2))
8274	Hollow ball set, complete, TRX-4® (aluminum, PTFE-coated)
5475	Multi-tool (plastic)
8261	Piston, damper (red) (4)/ e-clips (8)
8262	Rebuild kit, GTS shocks (x-rings, o-rings, pistons, bushings, e-clips, and rod ends)
8263	Shock shaft, 3x47mm (GTS) (2)
8263T	Shock shaft, 3x47mm (GTS) (titanium nitride-coated) (2)
8260X	Shocks, GTS hard-anodized, PTFE-coated aluminum bodies with TiN shafts (assembled with spring retainers) (2)
8260A	Shocks, GTS, aluminum (blue-anodized) (assembled with spring retainers) (2)
8260G	Shocks, GTS, aluminum (green-anodized) (assembled with spring retainers) (2)
8260R	Shocks, GTS, aluminum (red-anodized) (assembled with spring retainers) (2)
8260	Shocks, GTS, silver aluminum (assembled with spring retainers) (2)
1666	Silicone shock oil (30 wt)

Slipper Clutch Components

8292	Input shaft/ output shaft (transmission)
8286	Output shafts (transfer case), front & rear
8254	Rebuild kit, slipper clutch (steel disc (2)/ friction insert (2)/ 4.0mm NL (1)/ spring washers (4), metal washer (1))
8249	Slipper eliminator plate

Springs

8042	Springs, shock (natural finish) (GTS) (0.22 rate, yellow stripe) (2)
8043	Springs, shock (natural finish) (GTS) (0.30 rate, white stripe) (2)
8044	Springs, shock (natural finish) (GTS) (0.39 rate, orange stripe) (2)
8041	Springs, shock (natural finish) (GTS) (0.45 rate) (2)
8040	Springs, shock (natural finish) (GTS) (0.54 rate, green stripe) (2)
8045	Springs, shock (natural finish) (GTS) (0.61 rate, blue stripe) (2)

Spur Gears & Pinion Gears

6746	Gear, 10-T pinion (32-p) (steel)/ set screw
6747	Gear, 11-T pinion (32-p) (steel)/ set screw
3942X	Gear, 12-T pinion (32-p), heavy duty (machined, hardened steel)/ set screw
3943X	Gear, 13-T pinion (32-p), heavy duty (machined, hardened steel)/ set screw
3944X	Gear, 14-T pinion (32-p), heavy duty (machined, hardened steel)/ set screw
3945X	Gear, 15-T pinion (32-p), heavy duty (machined, hardened steel)/ set screw
3946X	Gear, 16-T pinion (32-p), heavy duty (machined, hardened steel)/ set screw
3947X	Gear, 17-T pinion (32-p), heavy duty (machined, hardened steel)/ set screw
3948X	Gear, 18-T pinion (32-p), heavy duty (machined, hardened steel)/ set screw
3949X	Gear, 19-T pinion (32-p), heavy duty (machined, hardened steel)/ set screw
3950X	Gear, 20-T pinion (32-p), heavy duty (machined, hardened steel)/ set screw
3951X	Gear, 21-T pinion (32-p), heavy duty (machined, hardened steel)/ set screw
3952X	Gear, 22-T pinion (32-p), heavy duty (machined, hardened steel)/ set screw
6745	Gear, 9-T pinion (32-p) (steel)/ set screw
8052	Spur gear, 39-tooth (32-pitch)
8053	Spur gear, 45-tooth (32-pitch)

Steering Components

8232	Caster blocks (portal drive), left & right/ kingpin bushings (4)
8232X	Caster blocks, 6061-T6 aluminum (blue-anodized), left and right
8232A	Caster blocks, 6061-T6 aluminum (charcoal gray-anodized), left and right
8232G	Caster blocks, 6061-T6 aluminum (green-anodized), left and right
8232R	Caster blocks, 6061-T6 aluminum (red-anodized), left and right

2072X	Gear set, metal (for 2070, 2075 servos)
2072R	Gear set, metal, high speed (for 2070, 2075 servos)
8274	Hollow ball set, complete, TRX-4® (aluminum, PTFE-coated)
5355	Hollow ball, tall centered (2)/ tall offset hollow ball (2)/ bump steer adjustment shims; 3.5mm (2), 1.17mm (2)
8275	Rod end set, complete (standard (10), angled 10-degrees (8), offset (4))
8276	Rod ends (10)
8277	Rod ends, angled 10-degrees (8)
2742	Rod ends, long (6)/ hollow ball connectors (6)
8278	Rod ends, offset (4)
8247	Servo horn, steering
8247X	Servo horn, steering, metal/ 3x14 BCS (1)
2075R	Servo, digital high-speed, metal gear (ball bearing), waterproof
2075X	Servo, digital high-torque, metal gear (ball bearing), waterproof
5529	Shim set, 3x7x1mm (2), 3x6x0.5mm (4), 3x7x2mm (2)/ hollow balls, captured (4)
8246	Steering link, 5x60mm (1)/ draglink, 5x117mm (1) (steel)
8243	Suspension link, front, 5x100mm (lower) (steel) (2)
8244	Suspension link, front, 5x63mm (upper) (steel) (2)
8245	Suspension link, rear, 5x121mm (upper or lower) (steel) (2)

Suspension Linkage

8274	Hollow ball set, complete, TRX-4® (aluminum, PTFE-coated)
5355	Hollow ball, tall centered (2)/ tall offset hollow ball (2)/ bump steer adjustment shims; 3.5mm (2), 1.17mm (2)
8275	Rod end set, complete (standard (10), angled 10-degrees (8), offset (4))
8276	Rod ends (10)
8277	Rod ends, angled 10-degrees (8)
2742	Rod ends, long (6)/ hollow ball connectors (6)
8278	Rod ends, offset (4)
5529	Shim set, 3x7x1mm (2), 3x6x0.5mm (4), 3x7x2mm (2)/ hollow balls, captured (4)
8243	Suspension link, front, 5x100mm (lower) (steel) (2)
8244	Suspension link, front, 5x63mm (upper) (steel) (2)
8245	Suspension link, rear, 5x121mm (upper or lower) (steel) (2)
8831	Suspension links, rear lower, 5x95mm (2) (steel)
8832	Suspension links, rear upper, 5x76mm (2) (steel)
8833	Suspension mount, intermediate, TRX-6™ (1)/ bearing cap (1)/ suspension link mounts (left & right)/ 2.5x12 CS (4)

Team Traxxas Items

2514	Decal sheet, racing sponsors
6160X	DVD, Maxx® Power! Full Throttle Action (sleeve)
9950	Official Team Traxxas® racing decal set (flag logo/ 6-color)
9909	Traxxas® racing banner, red & black (3x7 feet)

Tires & Wheels

8169T	Beadlock rings, black (1.9") (aluminum) (4)/ 2x10 CS (48)
8169X	Beadlock rings, blue (1.9") (aluminum) (4)/ 2x10 CS (48)
8169G	Beadlock rings, green (1.9") (aluminum) (4)/ 2x10 CS (48)
8169A	Beadlock rings, orange (1.9") (aluminum) (4)/ 2x10 CS (48)
8169R	Beadlock rings, red (1.9") (aluminum) (4)/ 2x10 CS (48)
8875	Center caps (2)/ beadlock rings (2) (requires #8255A extended stub axle)
8164	Center caps, wheel (chrome) (4)/ decal sheet (requires #8255A extended stub axle)
8176	Center caps, wheel (chrome) (4)/ decal sheet (requires #8255A extended stub axle)
8174	Tires and wheels, assembled (Method 105 1.9" black chrome beadlock wheels, Canyon Trail 4.6x1.9" tires, foam inserts) (1 left, 1 right)
8166X	Tires and wheels, assembled, glued (1.9" chrome wheels, Canyon Trail 4.6x1.9" tires) (4)/ center caps (4)/ decal sheet (requires #8255A extended stub axle)
8166	Tires and wheels, assembled, glued (1.9" chrome wheels, Canyon Trail 4.6x1.9" tires) (2)/ center caps (2)/ decal sheet (requires #8255A extended stub axle)
8177	Tires and wheels, assembled, glued (1.9" chrome wheels, Canyon Trail 4.6x1.9" tires) (2)/ center caps (2)/ decal sheet (requires #8255A extended stub axle)
8183X	Tires and wheels, assembled, glued (1.9" classic chrome wheels, Canyon Trail 4.6x1.9" tires) (4)/ center caps (4) (requires #8255A extended stub axle)
8874	Tires and wheels, assembled, glued (2.2" black Mercedes-Benz® G 63® wheels, Canyon RT 4.6x2.2" tires) (2)/ center caps (2)/ beadlock rings (2) (requires #8255A extended stub axle)
8273	Tires and wheels, assembled, glued (Tactical 1.9" wheels, Canyon Trail 4.6x1.9" tires) (2)
8272X	Tires and wheels, assembled, glued (TRX-4® 1.9" satin beadlock wheels, Canyon Trail 4.6x1.9" tires) (2)

8272	Tires and wheels, assembled, glued (TRX-4® 1.9" wheels, Canyon Trail 4.6x1.9" tires) (2)
8179	Tires and wheels, assembled, glued (TRX-4® Sport 1.9" wheels, Canyon Trail 4.6x1.9" tires) (2)
8871	Tires, Canyon RT 4.6x2.2"/ foam inserts (2) (wide) (requires 2.2" diameter wheel)
8270	Tires, Canyon Trail 4.6x1.9" (S1 compound)/ foam inserts (2)
8269	Wheel hubs, 12mm hex (2)/ stub axle pins (2) (steel)
8269X	Wheel hubs, 12mm hex, 6061-T6 aluminum (blue-anodized) (4)/ screw pin (4)
8269A	Wheel hubs, 12mm hex, 6061-T6 aluminum (charcoal gray-anodized) (4)/ screw pin (4)
8269G	Wheel hubs, 12mm hex, 6061-T6 aluminum (green-anodized) (4)/ screw pin (4)
8269R	Wheel hubs, 12mm hex, 6061-T6 aluminum (red-anodized) (4)/ screw pin (4)
8165	Wheels, 1.9", chrome (2)/ center caps (2)/ decal sheet (requires #8255A extended stub axle)
8175	Wheels, 1.9", chrome (2)/ center caps (2)/ decal sheet (requires #8255A extended stub axle)
8173	Wheels, Method 105 1.9" (black chrome, beadlock) (beadlock rings sold separately)
8173A	Wheels, Method 105 1.9" (charcoal gray, beadlock) (beadlock rings sold separately)
8268	Wheels, Tactical 1.9 (2)
8271	Wheels, TRX-4® 1.9 (2)
8271X	Wheels, TRX-4® 1.9 (satin beadlock) (2)
8178	Wheels, TRX-4® Sport 1.9 (2)

Transmission Components

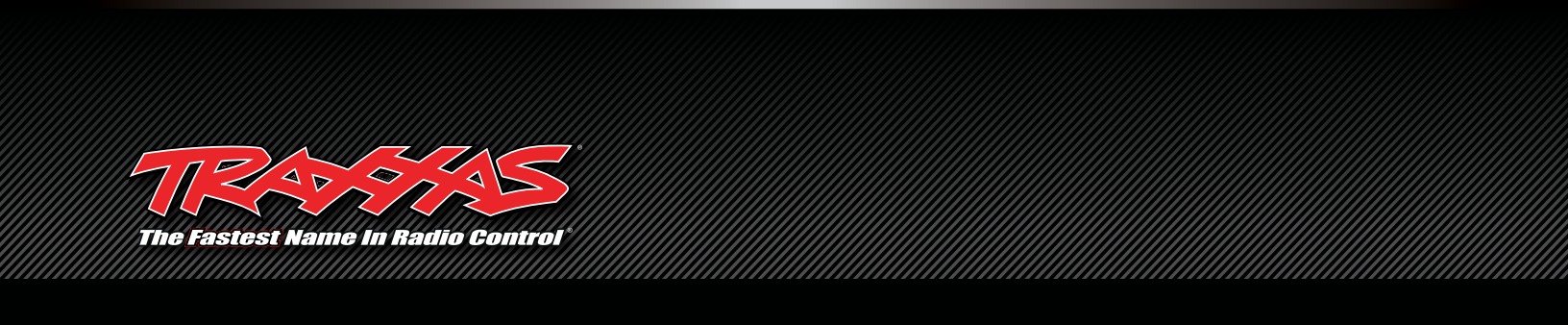
8283	Cable, T-lock (front)
8284	Cable, T-lock (rear)
8841	Cable, T-lock (rear) (TRX-6™)
8195	Differential, locking, front and rear (assembled) (includes T-Lock cables and servo)
8289	Drive hub, 2-speed/ shift dog/ shift fork/ 2-speed linkage
8293X	Gear set, transmission, metal (includes 18T, 30T input gears, 36T output gear, 2x9.8 pins (5))
8291	Gearbox housing (includes main housing, front housing, & cover)
8285	Gears, transfer case (3)
5041	Grease, premium high performance (20cc)
8292	Input shaft/ output shaft (transmission)
8290X	Motor mount plate, 6061-T6 aluminum (blue-anodized)
8290A	Motor mount plate, 6061-T6 aluminum (charcoal gray-anodized)
8290G	Motor mount plate, 6061-T6 aluminum (green-anodized)
8290R	Motor mount plate, 6061-T6 aluminum (red-anodized)
8849	Output drive, transmission or differential (pin retainer (1)/ drive cup (1)/ drive ball (1)/ center ball (1)/ drive pin (1)/ 3x10 screw pin (1)/ cross pin (black) (1)/ 2.5x6 CS (with threadlock) (1)) (use with TRX-6™ axle configuration)
8294	Output gear, high range, 24T (metal)
8286	Output shafts (transfer case), front & rear
8290	Plate, motor/ upper spur gear cover
8249	Slipper eliminator plate
8296	Transmission gears, single speed, metal
8196	Two speed conversion kit

Traxxas Tools

3433X	Body reamer (aluminum handle)
3433	Body reamer (plastic handle)
3436	Cap, body reamer
3432	Scissors, curved tip
3431	Scissors, straight tip
8712	Speed Bit Essentials Set, hex and nut driver, 7-piece, includes premium handle (medium), travel pouch, hex drivers (straight: 1.5mm, 2.0mm, 2.5mm) and nut drivers (5.0mm, 5.5mm, 7.0mm, and 8.0mm), 1/4" drive
8721	Speed bit handle, medium (one piece)
8720	Speed bit handle, premium, large (rubber overmold)
8722	Speed bit handle, premium, medium (rubber overmold)
8710	Speed Bit Master Set, hex and nut driver, 13-piece, includes premium handle (medium), travel pouch, hex drivers (straight: 1.5mm, 2.0mm, 2.5mm, 3.0mm), (ball-end: 2.0mm, 2.5mm, 3.0mm), and nut drivers (4.00mm, 4.50mm, 5.00mm, 5.50mm, 7.00mm, 8.00mm),
8711	Speed Bit Master Set, hex driver, 7-piece straight and ball end, includes premium handle (medium), travel pouch, hex drivers (straight: 1.5mm, 2.0mm, 2.5mm, 3.0mm) (ball end: 2.0mm, 2.5mm, 3.0mm), 1/4" drive
8719	Speed Bit Master Set, nut driver, 6-piece, includes premium handle (medium), travel pouch, and nut drivers (4.0mm, 4.5mm, 5.0mm, 5.5mm, 7.0mm, 8.0mm), 1/4" drive



TRAXXAS[®]
The Fastest Name In Radio Control[®]



UNLIMITED DESERT RACER



UNLIMITED DESERT RACER

MODEL 85086-4

PRO SCALE™ 4WD
RACE TRUCK



50+
mph



REPLICA BFGOODRICH® KR3
TIRES AND WHEELS



VXL-6S WATERPROOF
BRUSHLESS POWER SYSTEM



TQi 2.4GHz TRANSMITTER
COMPATIBLE WITH TRAXXAS
LINK WIRELESS MODULE

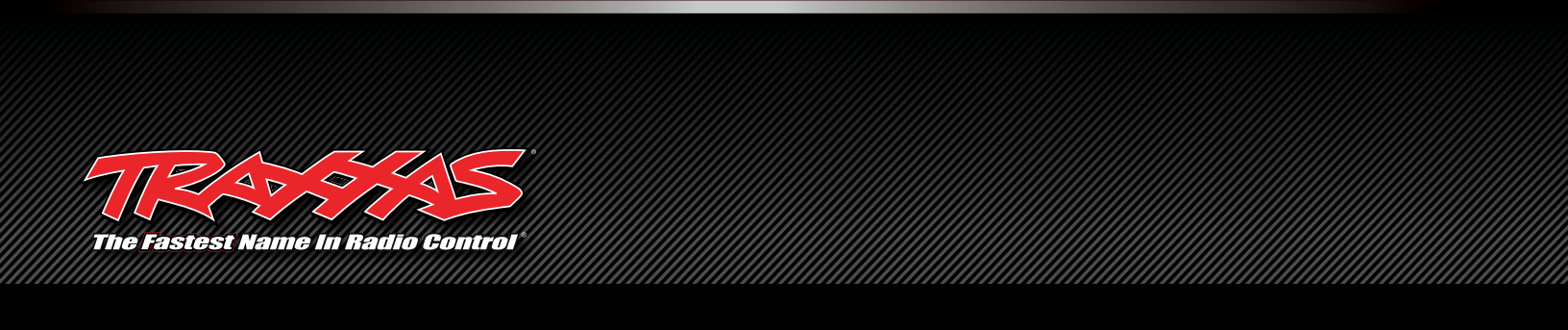
PRO-SCALE™ PERFORMANCE

Pro-Scale is a new Traxxas innovation that captures true-scale realism and combines it with extreme 6s LiPo power and 50+ mph performance. The Traxxas Unlimited Desert Racer faithfully captures the look and feel of Trophy Trucks and Unlimited Trick Trucks as they charge hard across the desert at full speed. The 4-link solid rear axle design provides huge suspension travel with authentic driving dynamics. From the cantilever sway bars to the 8 GTR shocks, Traxxas has accurately reproduced a true unlimited desert race chassis in both form and function.

* With two 3s LiPo batteries (Sold Separately)



TRAXXAS
The Fastest Name In Radio Control



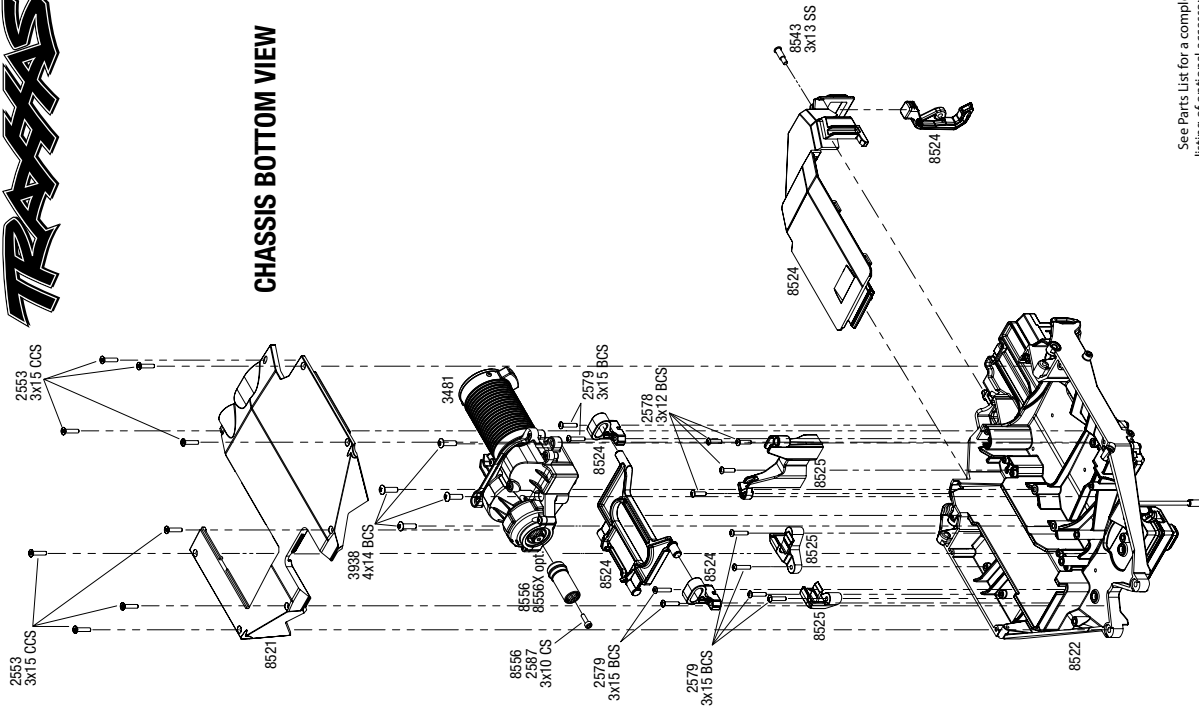
UNLIMITED DESERT RACER

(85086-4)

EXPLODED VIEWS

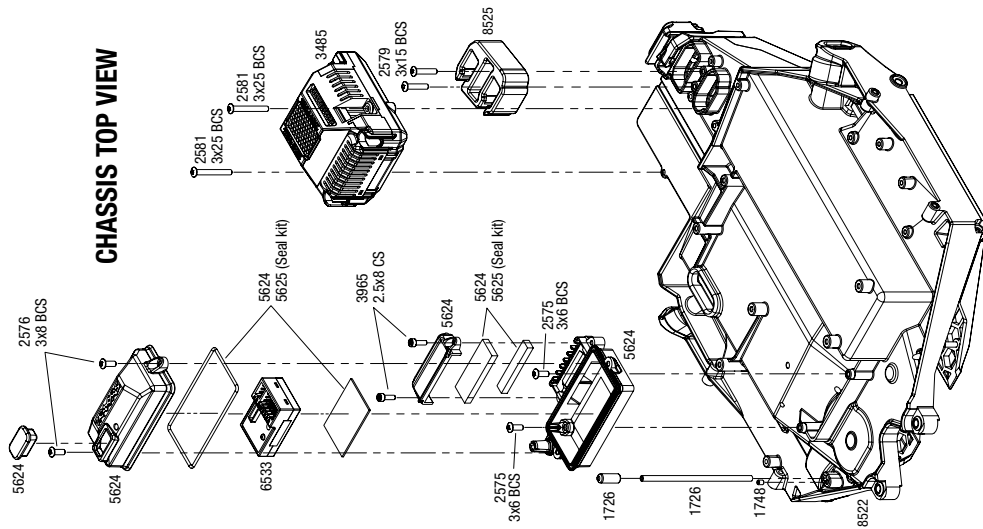


CHASSIS BOTTOM VIEW



See Parts List for a complete listing of optional accessories.

CHASSIS TOP VIEW



UNLIMITED DESERT RACER

Chassis Assembly

Questions? Call toll-free, 1-888-TRAXXAS

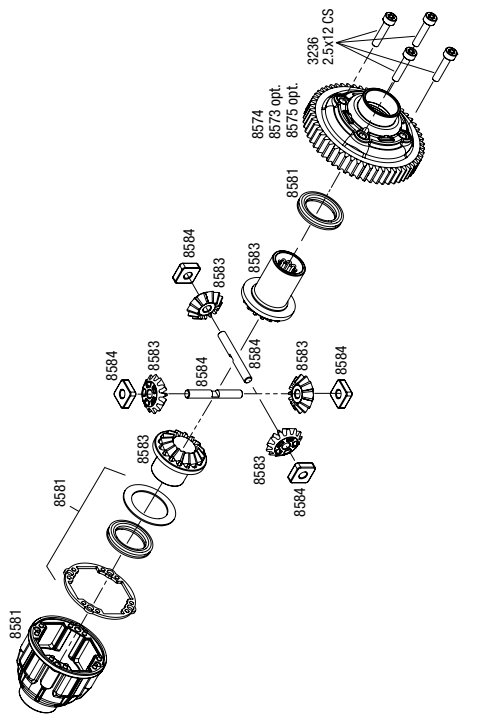
REV 200618-R03
Specifications on this page are subject to change without notice. Every attempt has been made to ensure the accuracy of this drawing; however, Traxxas cannot be held responsible for typographical or other errors.

UNLIMITED DESERT RACER

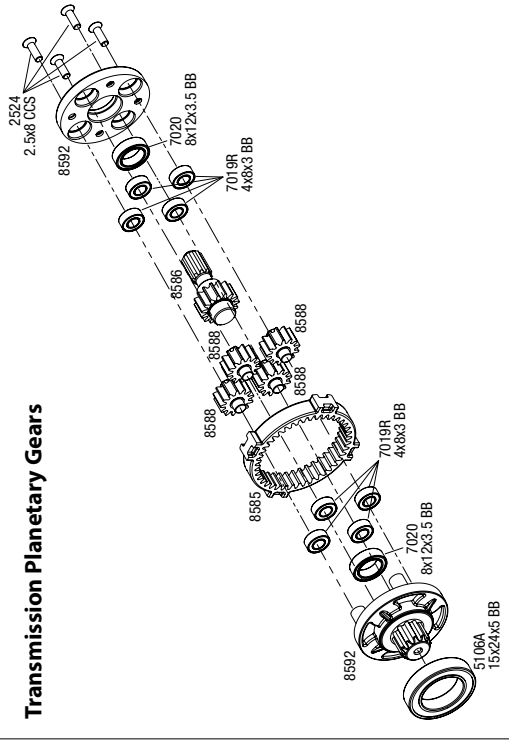
(85086-4)

EXPLODED VIEWS

Center Differential

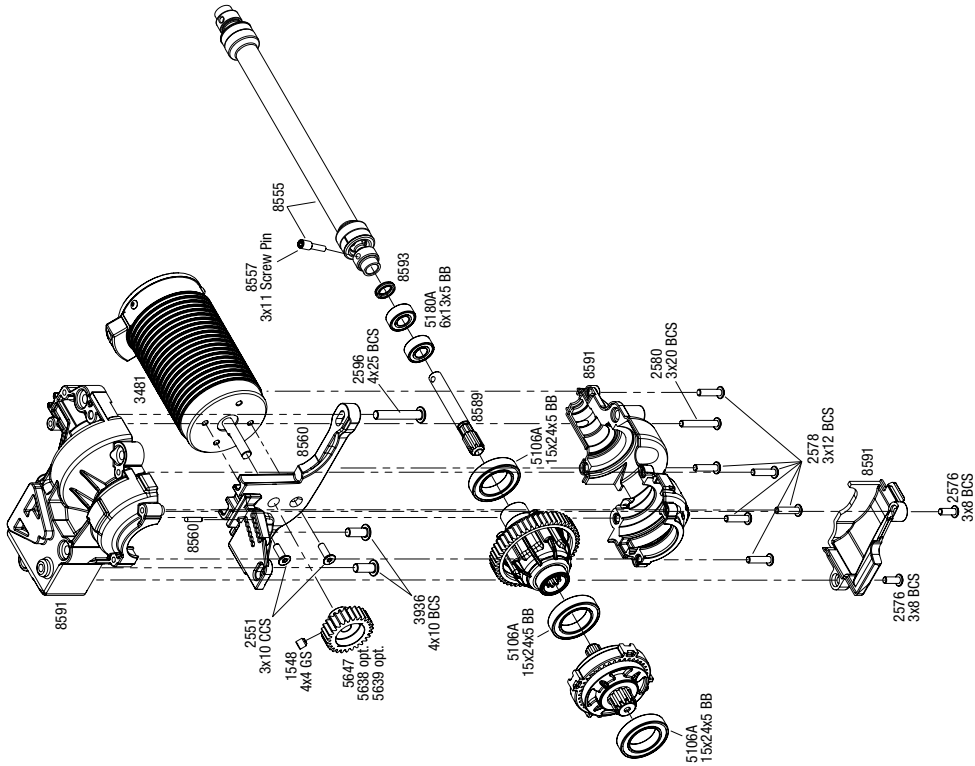


Transmission Planetary Gears



UNLIMITED DESERT RACER

Transmission Assembly



REV 200618-R03
Specifications on this page are subject to change without notice. Every attempt has been made to ensure the accuracy of this drawing; however, Traxxas cannot be held responsible for typographical or other errors.

See Parts List for a complete listing of optional accessories.



Questions? Call toll-free, 1-888-TRAXXAS

UNLIMITED DESERT RACER (85086-4)

PARTS SHOWN IN BOLD ARE OPTIONAL ACCESSORIES.

Part categories and individual part listings are arranged alphabetically.

Axle Components

8540	Axle housing, rear/ axle supports, left & right/ axle hub, rear (2)
8540X	Axle housing, rear/ differential carrier (satin black chrome-plated) (internal components sold separately)
8539	Axle shaft, rear

Bearings & Bushings

5106A	Ball bearing, black rubber sealed (15x24x5mm) (2)
5102A	Ball bearings, black rubber sealed (15x21x4mm) (2)
5114A	Ball bearings, black rubber sealed (5x8x2.5mm) (2)
5180A	Ball bearings, black rubber sealed (6x13x5mm) (2)
7019R	Ball bearings, blue rubber sealed (4x8x3mm) (8)
7020	Ball bearings, blue rubber sealed (8x12x3.5mm) (2)
5118	Ball bearings, blue rubber sealed (8x16x5mm) (2)

Body & Accessories

8528	Body, Desert Racer, Traxxas Edition (painted)/ decals
8511	Body, Desert Racer® (clear, trimmed, requires painting)/ decal sheet
8513	Body, Desert Racer®, Fox® Edition (painted)/ decals
8514	Body, Desert Racer®, Rigid® Edition (painted)/ decals
8515	Decals, Unlimited Desert Racer®, Fox® Edition
8516	Decals, Unlimited Desert Racer®, Rigid® Edition
8518	Driver helmet, grey (2)
8512	Interior, clear (unpainted)
8517	Window nets (2)/ 2.5x8mm CS (8)

Brake Components

8567	Brake calipers, front or rear (grey) (4)
8569	Wheel hubs, hex (disc brake rotors) (4)
8568	Wheel hubs, hex, steel (4)

Bumpers & Skidplates

8535	Bumper, front/ bumper support
8535X	Bumper, front/ bumper support (satin black chrome-plated)
8536	Bumper, rear/ bumper extension
8536X	Bumper, rear/ bumper extension (satin black chrome-plated)
8537X	Skidplate, front (plastic) (satin black chrome-plated)
8537	Skidplate, front (plastic)/ support plate (steel)

Chassis & Attachments

8525	Battery connector retainer/ wall support/ front & rear clips
8524	Battery door/ battery strap/ retainers (2)/ latch
8536	Bumper, rear/ bumper extension
8536X	Bumper, rear/ bumper extension (satin black chrome-plated)
8522	Chassis
8420	Chassis tray/ driveshaft clamps/ fuel filler (black)
8518	Driver helmet, grey (2)
8512	Interior, clear (unpainted)
8560	Motor mount/ pin (2)
8520	Nerf bars (left or right) (2)
8519	Number plates, left & right
8526	Servo mount, steering
8538	Shock mounts, rear (left & right)
8538X	Shock mounts, rear (left & right) (satin black chrome-plated)
8521	Skidplate, chassis
8544	Trailing arm (2) (assembled with hollow balls)
8544X	Trailing arm, aluminum (blue-anodized) (2) (assembled with hollow balls)
8544A	Trailing arm, aluminum (dark titanium anodized) (2) (assembled with hollow balls)
8544R	Trailing arm, aluminum (red-anodized) (2) (assembled with hollow balls)
8431	Tube chassis, center section, front
8431X	Tube chassis, center section, front (satin black chrome-plated)
8432	Tube chassis, center section, rear
8432X	Tube chassis, center section, rear (satin black chrome-plated)
8433	Tube chassis, center support/ cage top/ rear cage support
8433X	Tube chassis, center support/ cage top/ rear cage support (satin black chrome-plated)
8434	Tube chassis, inner panels (front (2)/ middle (4)/ rear (2))
8434A	Tube chassis, inner panels (silver aluminum) (front (2)/ wheel well (4)/ middle (4)/ rear (2))
8434X	Tube chassis, inner panels, aluminum (blue-anodized) (front (2)/ wheel well (4)/ middle (4)/ rear (2))
8434R	Tube chassis, inner panels, aluminum (red-anodized) (front (2)/ wheel well (4)/ middle (4)/ rear (2))
8430	Tube chassis, side section (left & right)

8430X	Tube chassis, side section (left & right) (satin black chrome-plated)
--------------	----------------------------------------------------------------------------------

Differential Components

8581	Carrier, differential (front or center)/ x-ring gaskets (2)/ ring gear gasket/ 14.5x20 TW (2)
8581X	Carrier, differential, aluminum (front or center)/ x-ring gaskets (2), ring gear gasket/ 14.5x20 TW (2)
8541	Carrier, differential, rear axle (left & right halves)
5136X	Differential oil kit (1 each: 10K, 30K, 50K weights)
8576	Differential, rear (fully assembled)
8583	Gear set, center differential (output gears (2)/ spider gears (4))
8582	Gear set, differential (front) (output gears (2)/ spider gears (4))
8577	Gear set, rear differential (output gears (2)/ spider gears (4)) (#8581 required to build complete differential)
8580	Housing, differential (front)
8592	Housing, planetary gears (front & rear halves)
5042	Oil, differential (1M wt) (standard)
8588	Planetary gears (4)
8578	Ring gear, differential/ pinion gear, differential (front)
8579	Ring gear, differential/ pinion gear, differential (rear)
8585	Ring gear, planetary
8584	Spider gear shaft (2)/ spider bushing (4)
8586	Sun gear, planetary (center)
8587	Sun gear, planetary (rear)

Driveline Components

8551	Drive cup (1)/ 2.5x10 CS (for use only with #8550 driveshaft)
8555	Driveshaft, center rear, 6061-T6 aluminum (black-anodized) (fully assembled)/ 3mm screw pin (2)
8556X	Driveshaft, center, front (steel)/ 2.5x12 screw pin
8550	Driveshaft, steel constant-velocity (shaft only, 96mm) (1)
8556	Driveshafts, center front/ 4mm screw pin (1)/ 3x10 CS (1)
8554	Rebuild kit, steel constant velocity driveshaft (includes drive pin & cross pin for two driveshaft assemblies)
8557	Screw pin, 3x11mm (with threadlock) (6)
8553	Stub axle, steel (use with #8550 driveshaft)
8569	Wheel hubs, hex (disc brake rotors) (4)
8568	Wheel hubs, hex, steel (4)

Front Suspension & Steering

8552	Axle carriers, left & right (1 each)
8523	Bulkhead tie bar, front (steel)
8530	Bulkhead, front
8550	Driveshaft, steel constant-velocity (shaft only, 96mm) (1)
8596	Linkage, sway bar, front (2) (assembled with hollow balls)/ sway bar arm (left & right)
8534	Mounts, suspension arm, upper (front) (left & right)
8534X	Mounts, suspension arm, upper (front) (left & right) (satin black chrome-plated)
8543	Steering bellcranks/ servo saver/ servo saver spring/ servo spring retainer/servo horn, steering
8553	Stub axle, steel (use with #8550 driveshaft)
8533	Suspension arm, lower left/ arm insert (assembled with hollow ball)
8533X	Suspension arm, lower left/ arm insert (satin black chrome-plated) (assembled with hollow ball)
8532	Suspension arm, lower right/ arm insert (assembled with hollow ball)
8532X	Suspension arm, lower right/ arm insert (satin black chrome-plated) (assembled with hollow ball)
8531	Suspension arms, upper (left & right) (assembled with hollow balls)
8531X	Suspension arms, upper (left & right) (satin black chrome-plated) (assembled with hollow balls)
8546	Suspension pin retainers (upper (2), lower (1))
8545	Suspension pin set (front) (3x51mm (2), 3x54mm (2), 3x93mm (2))
8596X	Sway bar arms, front (satin-plated)
8598	Sway bars (front & rear)
8547	Toe links, front (2) (assembled with hollow balls)
8547X	Toe links, front, Unlimited Desert Racer® (TUBES blue-anodized, 7075-T6 aluminum, stronger than titanium) (102mm) (2) (assembled with rod ends and hollow balls)/ aluminum wrench, 7mm (1)
8547A	Toe links, front, Unlimited Desert Racer® (TUBES dark titanium anodized, 7075-T6 aluminum, stronger than titanium) (102mm) (2) (assembled with rod ends and hollow balls)/ aluminum wrench, 7mm (1)
8547R	Toe links, front, Unlimited Desert Racer® (TUBES red-anodized, 7075-T6 aluminum, stronger than titanium) (102mm) (2) (assembled with rod ends and hollow balls)/ aluminum wrench, 7mm (1)

Hardware

2586	Head screws, 3x15mm cap-head machine (hex drive) (6) (TRX 2.5)
8447A	Nuts, 5mm flanged nylon locking (aluminum, black-anodized, serrated) (4)
8447X	Nuts, 5mm flanged nylon locking (aluminum, blue-anodized, serrated) (4)
8447G	Nuts, 5mm flanged nylon locking (aluminum, green-anodized, serrated) (4)
8447R	Nuts, 5mm flanged nylon locking (aluminum, red-anodized, serrated) (4)
8447	Nuts, 5mm flanged nylon locking (steel, black serrated) (8)
5147X	Nuts, 5mm flanged nylon locking (steel, serrated) (8)
4955	Pins, axle (2.5x12mm) (4)
8557	Screw pin, 3x11mm (with threadlock) (6)
5189	Screw pins, 4x13mm (with threadlock) (4)
3229	Screws, 2.5x10mm cap-head machine (hex drive) (6)
3236	Screws, 2.5x12mm cap-head machine (6)
3215	Screws, 2.5x6mm cap-head machine (hex drive) (6)
3965	Screws, 2.5x8mm cap-head machine (6)
2524	Screws, 2.5x8mm countersunk machine (hex drive) (6)
7944	Screws, 2.6x5mm button-head, self-tapping (hex drive) (6)
2577	Screws, 3x10mm button-head machine (hex drive) (6)
2587	Screws, 3x10mm cap-head machine (6) (no washer)
2578	Screws, 3x12mm button-head machine (hex drive) (6)
2579	Screws, 3x15mm button-head machine (hex drive) (6)
2553	Screws, 3x15mm countersunk machine (6) (hex drive)
2583	Screws, 3x18mm button-head machine (hex drive) (6)
2580	Screws, 3x20mm button-head machine (hex drive) (6)
2581	Screws, 3x25mm button-head machine (hex drive) (6)
2582	Screws, 3x30mm button-head machine (hex drive) (6)
2516	Screws, 3x45mm button-head machine (hex drive) (6)
2515	Screws, 3x4mm button-head machine (hex drive) (6)
2534	Screws, 3x6mm countersunk machine (6) (hex drive)
2576	Screws, 3x8mm button-head machine (hex drive) (6)
2550	Screws, 3x8mm countersunk machine (6) (hex drive)
3931	Screws, 3x8mm flat-head machine (hex drive) (6)
3936	Screws, 4x10mm button-head machine (hex drive) (6)
3938	Screws, 4x14mm button-head machine (hex drive) (6)
2546	Screws, 4x15mm countersunk machine (hex drive) (6)
2597	Screws, 4x22mm button-head machine (hex drive) (6)
2596	Screws, 4x25mm button-head machine (hex drive) (6)
2533	Screws, 4x30mm countersunk machine (hex drive) (6)
2595	Screws, 4x35mm button-head machine (hex drive) (6)
1548	Set (grub) screws, 3x4mm (8) 4x4mm (stainless) (4)
2746	Washers, 3x6mm metal (12)

LED Lights

8489	2-in-1 wire harness, LED lights (high-voltage)
6590	High-Voltage Power Amplifier
8486	LED light bar, front (high-voltage) (52 white LEDs (double row), 100mm wide)
8488	LED light bar, roof (curved, high-voltage) (52 white LEDs (single row), 202mm wide)
8485	LED light set, complete (includes front light bar (2), rear light bar, curved roof light bar, and high-voltage power amplifier)
8487	LED lightbar, rear, red (with amber class light) (high-voltage) (24 red LEDs, 24 amber LEDs, 100mm wide)

Motors & Electronics

8527	Connector, 25.2 volt to 14.8 volt jumper (allows a Traxxas® dual-battery 25.2 ESC to run on a single 14.8V battery pack)
3475	Cooling fan, Velineon® VXL ESC (fits VXL-6s & VXL-8s)
2272	Gear set (for 2270 waterproof servo)
2252	Gear set, metal (for 2250, 2255 servos)
8560	Motor mount/ pin (2)
3481	Motor, 2200Kv 75mm, brushless (with 6.5mm gold-plated connectors & high-efficiency heatsink)
2254	Servo case, aluminum (blue-anodized) (middle) (for 2250 servo)
2253	Servo case, aluminum (red-anodized) (middle) (for 2255 servo)
2251	Servo case, plastic (top, middle, bottom)/ gaskets/ hardware (for 2250, 2255 servos)
2271	Servo case/ gaskets (for 2270 waterproof servo)
8526	Servo mount, steering
2250	Servo, digital high-torque 330 coreless, metal gear (ball bearing), waterproof
2255	Servo, digital high-torque 400 brushless, metal gear (ball bearing), waterproof
2270	Servo, digital high-torque, metal gear (ball bearing), waterproof
3480	Velineon® VXL-6s Brushless Power System, waterproof (includes VXL-6s ESC and 2200Kv, 75mm motor)
3485	Velineon® VXL-6s Electronic Speed Control, waterproof (brushless) (fwd/rev/brake)

Radio System, Batteries & Chargers

2872X	5000mAh 11.1v 3-Cell 25C LiPo Battery
2889X	5000mAh 14.8v 4-Cell 25C LiPo Battery
2842X	5000mAh 7.4v 2-Cell 25C LiPo Battery
2843X	5800mAh 7.4v 2-Cell 25C LiPo Battery
2890X	6700mAh 14.8v 4-Cell 25C LiPo Battery
2869X	7600mAh 7.4v 2-Cell 25C LiPo Battery
2976	AC to DC converter, 40W
2938X	Adapter, Traxxas® iD® LiPo battery (adapts Traxxas iD batteries to separate balance ports)
1726	Antenna, tube (1) vinyl antenna cap (1) wire retainer (1)
2943	Battery charge indicators (green (4), blue (4), grey (4))
6548	Battery door, transmitter (replacement for #6516, 6517, 6528, 6529, 6530 transmitters)
2914	Battery, Power Cell AA Alkaline (4)
2996X	Battery/charger completer pack (includes #2971 iD charger (1), #2889X 5000mAh 14.8V 4-cell 25C LiPo battery (1))
2991	Battery/charger completer pack (includes #2972 Dual iD® charger (1), #2869X 7600mAh 7.4V 2-cell 25C LiPo battery (2))
2972	Charger, EZ-Peak® Dual, 100W, NiMH/LiPo with iD® Auto Battery Identification
2973	Charger, EZ-Peak® Live Dual, 200W, NiMH/LiPo with iD® Auto Battery Identification
2971	Charger, EZ-Peak® Live, 100W, NiMH/LiPo with iD® Auto Battery Identification
2970	Charger, EZ-Peak® Plus, 4 amp, NiMH/LiPo with iD® Auto Battery Identification
6525	Communication link, telemetry expander
8527	Connector, 25.2 volt to 14.8 volt jumper (allows a Traxxas® dual-battery 25.2 ESC to run on a single 14.8V battery pack)
6512	Cover plate, Traxxas Link™ Wireless Module
6566	Data Link cable, telemetry expander (connects #6550X telemetry expander 2.0 to the #3485 VXL-6s or #3496 VXL-8s electronic speed control)
2272	Gear set (for 2270 waterproof servo)
2252	Gear set, metal (for 2250, 2255 servos)
2968X	LiPo cell voltage checker/balancer (includes #2938X adapter for Traxxas® iD® batteries)
2968	LiPo cell voltage checker/balancer (requires #2938X adapter for Traxxas® iD® batteries)
6565	MAXX® Link cable, telemetry expander (connects #6550X telemetry expander 2.0 to the #6590 high-voltage power amplifier)
6535	Mount, temperature sensor (electric motors)/ wire tie/ thermal pad
6533	Receiver, micro, TQi 2.4GHz with telemetry & TSM (5-channel)
6552	Seal kit, expander box (includes o-ring, seals, and silicone grease)
6526	Sensor, auto-detectable, temperature
6527	Sensor, auto-detectable, voltage
6521	Sensor, temperature and voltage (long)
2254	Servo case, aluminum (blue-anodized) (middle) (for 2250 servo)
2253	Servo case, aluminum (red-anodized) (middle) (for 2255 servo)
2251	Servo case, plastic (top, middle, bottom) gaskets/ hardware (for 2250, 2255 servos)
2271	Servo case/ gaskets (for 2270 waterproof servo)
2250	Servo, digital high-torque 330 coreless, metal gear (ball bearing), waterproof
2255	Servo, digital high-torque 400 brushless, metal gear (ball bearing), waterproof
2270	Servo, digital high-torque, metal gear (ball bearing), waterproof
6553X	Telemetry expander 2.0 and GPS module 2.0, TQi radio system
6550X	Telemetry expander 2.0, TQi radio system (for use only with #6551X GPS module)
6551X	Telemetry GPS module 2.0, TQi radio system (for use only with #6550X telemetry expander)
6528	Transmitter, TQi Traxxas Link™ enabled, 2.4GHz high output, 2-channel (transmitter only)
6529	Transmitter, TQi Traxxas Link™ enabled, 2.4GHz high output, 3-channel (transmitter only)
6530	Transmitter, TQi Traxxas Link™ enabled, 2.4GHz high output, 4-channel (transmitter only)
6511	Traxxas Link™ Wireless Module

Ready-To-Race Model

85076-4	Unlimited Desert Racer®: 4WD Electric Race Truck with TQi Traxxas Link™ Enabled 2.4GHz Radio System and Traxxas Stability Management (TSM)®
---------	---------------------------------------------------------------------------------------------------------------------------------------------

Rear Suspension

8540	Axle housing, rear/ axle supports, left & right/ axle hub, rear (2)
8540X	Axle housing, rear/ differential carrier (satin black chrome-plated) (internal components sold separately)

UNLIMITED DESERT RACER

(85086-4)

8539	Axle shaft, rear	8460R	Shocks, GTR, 139mm, aluminum (red-anodized) (fully assembled w/o springs) (rear, threaded) (2)
8555	Driveshaft, center rear, 6061-T6 aluminum (black-anodized) (fully assembled)/ 3mm screw pin (2)	8460	Shocks, GTR, 139mm, silver aluminum (fully assembled w/o springs) (rear, threaded) (2)
8548	Limit strap, rear suspension (2)/ 3x8 flat-head screw (4)	8461X	Shocks, GTR, 160mm, aluminum (blue-anodized) (fully assembled w/o springs) (rear, no threads) (2)
8597	Linkage, sway bar, rear (2) (assembled with hollow balls)/ sway bar arm (left & right)	8461R	Shocks, GTR, 160mm, aluminum (red-anodized) (fully assembled w/o springs) (rear, no threads) (2)
8538	Shock mounts, rear (left & right)	8461	Shocks, GTR, 160mm, silver aluminum (fully assembled w/o springs) (rear, no threads) (2)
8538X	Shock mounts, rear (left & right) (satin black chrome-plated)	8459	Spring retainers, lower (captured) (4)/ 2.5x10 CS (4)
8590	Spool/ spacers (left & right)/ 2.5x8 CS (4)	8443	Spring, shock, 139mm (natural finish) (GTR) (progressive, 0.937 rate, orange stripe) (2)
8542T	Suspension link, rear (upper) (aluminum, black-anodized) (10x206mm, center to center) (2) (assembled with hollow balls)	8442	Spring, shock, 139mm (natural finish) (GTR) (progressive, 1.146 rate, green stripe) (2)
8542A	Suspension link, rear (upper) (aluminum, blue-anodized) (10x206mm, center to center) (2) (assembled with hollow balls)	8441	Spring, shock, 139mm (natural finish) (GTR) (progressive, 1.250 rate, blue stripe) (2)
8542R	Suspension link, rear (upper) (aluminum, red-anodized) (10x206mm, center to center) (2) (assembled with hollow balls)	8444A	Spring, shock, front (blue) (GTR) (progressive, 0.833 rate, white stripe) (2)
8542X	Suspension link, rear (upper) (heavy duty, steel) (7x206mm, center to center) (2) (assembled with hollow balls)	8444	Spring, shock, front (natural finish) (GTR) (progressive, 0.833 rate, white stripe) (2)
8542	Suspension link, rear (upper) (steel) (4x206mm, center to center) (2) (assembled with hollow balls)	8444X	Spring, shock, front (silver) (GTR) (progressive, 0.833 rate, white stripe) (2)
8597X	Sway bar arms, rear (satin-plated)	8445A	Spring, shock, rear (blue) (GTR) (progressive, 1.042 rate) (2)
8598	Sway bars (front & rear)	8445	Spring, shock, rear (natural finish) (GTR) (progressive, 1.042 rate) (2)
8544	Trailing arm (2) (assembled with hollow balls)	8445X	Spring, shock, rear (silver) (GTR) (progressive, 1.042 rate) (2)
8544X	Trailing arm, aluminum (blue-anodized) (2) (assembled with hollow balls)		
8544A	Trailing arm, aluminum (dark titanium anodized) (2) (assembled with hollow balls)		
8544R	Trailing arm, aluminum (red-anodized) (2) (assembled with hollow balls)		

Scale Details

8426	Batteries, black (2)
8422	Fire extinguisher, red (2)
8425	Floor jack & handle, grey
8424	Oil bottles, grey (2)
8421	Radiator, black
8423	Shock reservoirs, black (2)

Shocks (GTR)

8452X	Body, GTR shock, 64mm, aluminum (blue-anodized) (front or rear, threaded)
8453X	Body, GTR shock, 64mm, aluminum (blue-anodized) (front, no threads)
8452R	Body, GTR shock, 64mm, aluminum (red-anodized) (front or rear, threaded)
8453R	Body, GTR shock, 64mm, aluminum (red-anodized) (front, no threads)
8452	Body, GTR shock, 64mm, silver aluminum (front or rear, threaded)
8453	Body, GTR shock, 64mm, silver aluminum (front, no threads)
8462X	Body, GTR shock, 77mm, aluminum (blue-anodized) (rear, no threads)
8462R	Body, GTR shock, 77mm, aluminum (red-anodized) (rear, no threads)
8462	Body, GTR shock, 77mm, silver aluminum (rear, no threads)
7468X	Caps & spring retainers, GTR shock (upper cap (2)/ hollow balls (4)/ bottom cap (2)/ upper retainer (2)/ lower retainer (2))
8458	Double seal kit, GTR shocks (x-rings (4)/ 4x6x0.5mm PTFE-coated washers (2)/ bottom caps (2)) (renews 2 shocks)
8455	Rebuild kit, GTR shocks (x-rings, bladders, pistons, piston nuts, shock rod ends) (renews 2 shocks)
8456	Shock caps, aluminum (black-anodized), Fox® Shocks (4)
8457	Shock caps, aluminum (blue-anodized), King® Shocks (4)
8538	Shock mounts, rear (left & right)
8538X	Shock mounts, rear (left & right) (satin black chrome-plated)
8454	Shock shaft, 69mm (GTR) (front) (2)
8454T	Shock shaft, 69mm (GTR) (front) (TiN-coated) (2)
8463	Shock shaft, 74mm (GTR) (rear) (2)
8463T	Shock shaft, 74mm (GTR) (rear) (TiN-coated) (2)
8464	Shock shaft, 81mm (GTR) (rear) (2)
8464T	Shock shaft, 81mm (GTR) (rear) (TiN-coated) (2)
8451X	Shocks, GTR, 134mm, aluminum (blue-anodized) (fully assembled w/o springs) (front, no threads) (2)
8450X	Shocks, GTR, 134mm, aluminum (blue-anodized) (fully assembled w/o springs) (front, threaded) (2)
8451R	Shocks, GTR, 134mm, aluminum (red-anodized) (fully assembled w/o springs) (front, no threads) (2)
8450R	Shocks, GTR, 134mm, aluminum (red-anodized) (fully assembled w/o springs) (front, threaded) (2)
8451	Shocks, GTR, 134mm, silver aluminum (fully assembled w/o springs) (front, no threads) (2)
8450	Shocks, GTR, 134mm, silver aluminum (fully assembled w/o springs) (front, threaded) (2)
8460X	Shocks, GTR, 139mm, aluminum (blue-anodized) (fully assembled w/o springs) (rear, threaded) (2)

Spur Gears & Pinion Gears

5647	Gear, 27-T pinion (0.8 metric pitch, compatible with 32-pitch) (fits 5mm shaft)/ set screw
5638	Gear, 31-T pinion (0.8 metric pitch, compatible with 32-pitch) (fits 5mm shaft)/ set screw
5639	Gear, 34-T pinion (0.8 metric pitch, compatible with 32-pitch) (fits 5mm shaft)/ set screw
8573	Gear, center differential, 47-tooth (spur gear)
8574	Gear, center differential, 51-tooth (spur gear)
8575	Gear, center differential, 55-tooth (spur gear)

Steering Components

8543	Steering bellcranks/ servo saver/ servo saver spring/ servo spring retainer/servo horn, steering
8553	Stub axle, steel (use with #8550 driveshaft)
8547	Toe links, front (2) (assembled with hollow balls)
8547X	Toe links, front, Unlimited Desert Racer® (TUBES blue-anodized, 7075-T6 aluminum, stronger than titanium) (102mm) (2) (assembled with rod ends and hollow balls)/ aluminum wrench, 7mm (1)
8547A	Toe links, front, Unlimited Desert Racer® (TUBES dark titanium anodized, 7075-T6 aluminum, stronger than titanium) (102mm) (2) (assembled with rod ends and hollow balls)/ aluminum wrench, 7mm (1)
8547R	Toe links, front, Unlimited Desert Racer® (TUBES red-anodized, 7075-T6 aluminum, stronger than titanium) (102mm) (2) (assembled with rod ends and hollow balls)/ aluminum wrench, 7mm (1)

Suspension Linkage

8542T	Suspension link, rear (upper) (aluminum, black-anodized) (10x206mm, center to center) (2) (assembled with hollow balls)
8542A	Suspension link, rear (upper) (aluminum, blue-anodized) (10x206mm, center to center) (2) (assembled with hollow balls)
8542R	Suspension link, rear (upper) (aluminum, red-anodized) (10x206mm, center to center) (2) (assembled with hollow balls)
8542X	Suspension link, rear (upper) (heavy duty, steel) (7x206mm, center to center) (2) (assembled with hollow balls)
8542	Suspension link, rear (upper) (steel) (4x206mm, center to center) (2) (assembled with hollow balls)
8546	Suspension pin retainers (upper (2), lower (1))
8545	Suspension pin set (front) (3x51mm (2), 3x54mm (2), 3x93mm (2))
8547	Toe links, front (2) (assembled with hollow balls)
8547X	Toe links, front, Unlimited Desert Racer® (TUBES blue-anodized, 7075-T6 aluminum, stronger than titanium) (102mm) (2) (assembled with rod ends and hollow balls)/ aluminum wrench, 7mm (1)
8547A	Toe links, front, Unlimited Desert Racer® (TUBES dark titanium anodized, 7075-T6 aluminum, stronger than titanium) (102mm) (2) (assembled with rod ends and hollow balls)/ aluminum wrench, 7mm (1)
8547R	Toe links, front, Unlimited Desert Racer® (TUBES red-anodized, 7075-T6 aluminum, stronger than titanium) (102mm) (2) (assembled with rod ends and hollow balls)/ aluminum wrench, 7mm (1)
8544	Trailing arm (2) (assembled with hollow balls)
8544X	Trailing arm, aluminum (blue-anodized) (2) (assembled with hollow balls)

- 8544A Trailing arm, aluminum (dark titanium anodized) (2) (assembled with hollow balls)
 8544R Trailing arm, aluminum (red-anodized) (2) (assembled with hollow balls)

Team Traxxas Items

- 2514 Decal sheet, racing sponsors
 6160X DVD, Maxx® Power! Full Throttle Action (sleeve)
 9950 Official Team Traxxas® racing decal set (flag logo/ 6-color)
 9909 Traxxas® racing banner, red & black (3x7 feet)

Tires & Wheels

- 8472 Tires and wheels, assembled, glued (Desert Racer® wheels, black with orange beadlock, BFGoodrich® Baja KR3 tires) (2)
 8475 Tires and wheels, assembled, glued (Desert Racer® wheels, paddle tires, foam inserts) (2)
 8474 Tires and wheels, assembled, glued (Method Race Wheels, black with red beadlock, BFGoodrich® Baja KR3 tires) (2)
 8470 Tires, BFGoodrich® Baja KR3/ foam inserts (2)
 8473 Wheels, Desert Racer® (2)
 8471 Wheels, Method Race (2)

Transmission Components

- 8591 Gearbox housing (includes upper housing, lower housing, & gear cover)
 8592 Housing, planetary gears (front & rear halves)
 8589 Output shaft, transmission/ x-ring
 8588 Planetary gears (4)
 8585 Ring gear, planetary
 8593 X-ring seals, 6x9.6mm (4)

Traxxas Tools

- 3433X Body reamer (aluminum handle)
 3433 Body reamer (plastic handle)
 3436 Cap, body reamer
 3432 Scissors, curved tip
 3431 Scissors, straight tip
 8712 Speed Bit Essentials Set, hex and nut driver, 7-piece, includes premium handle (medium), travel pouch, hex drivers (straight: 1.5mm, 2.0mm, 2.5mm) and nut drivers (5.0mm, 5.5mm, 7.0mm, and 8.0mm), 1/4" drive
 8721 Speed bit handle, medium (one piece)
 8720 Speed bit handle, premium, large (rubber overmold)
 8722 Speed bit handle, premium, medium (rubber overmold)
 8710 Speed Bit Master Set, hex and nut driver, 13-piece, includes premium handle (medium), travel pouch, hex drivers (straight: 1.5mm, 2.0mm, 2.5mm, 3.0mm), (ball-end: 2.0mm, 2.5mm, 3.0mm), and nut drivers (4.00mm, 4.50mm, 5.00mm, 5.50mm, 7.00mm, 8.00mm),
 8711 Speed Bit Master Set, hex driver, 7-piece straight and ball end, includes premium handle (medium), travel pouch, hex drivers (straight: 1.5mm, 2.0mm, 2.5mm, 3.0mm) (ball end: 2.0mm, 2.5mm, 3.0mm), 1/4" drive
 8719 Speed Bit Master Set, nut driver, 6-piece, includes premium handle (medium), travel pouch, and nut drivers (4.0mm, 4.5mm, 5.0mm, 5.5mm, 7.0mm, 8.0mm), 1/4" drive
 8716 Speed Bit Set, hex driver, 2-piece ball-end (2.0mm, 2.5mm), 1/4" drive
 8716X Speed Bit Set, hex driver, 3-piece ball-end (2.0mm, 2.5mm, 3.0mm), 1/4" drive
 8715 Speed Bit Set, hex driver, 3-piece straight (1.5mm, 2.0mm, 2.5mm), 1/4" drive
 8715X Speed Bit Set, hex driver, 4-piece straight (1.5mm, 2.0mm, 2.5mm, 3.0mm), 1/4" drive
 3415 Tool set with pouch (includes 1.5mm, 2.0mm, 2.5mm, 3.0mm, 3.5mm, 4mm drivers/ 4mm, 5mm, 5.5mm, 7mm and 8mm nut drivers/ 2mm, 4mm, and 5mm slotted screwdrivers/ #00 Phillips, #0 Phillips, and #1 Phillips screwdrivers/ 4mm and 8mm wrench/ driver handle)

Turnbuckles & Threaded Rods

- 8547 Toe links, front (2) (assembled with hollow balls)
 8547X Toe links, front, Unlimited Desert Racer® (TUBES blue-anodized, 7075-T6 aluminum, stronger than titanium) (102mm) (2) (assembled with rod ends and hollow balls)/ aluminum wrench, 7mm (1)
 8547A Toe links, front, Unlimited Desert Racer® (TUBES dark titanium anodized, 7075-T6 aluminum, stronger than titanium) (102mm) (2) (assembled with rod ends and hollow balls)/ aluminum wrench, 7mm (1)
 8547R Toe links, front, Unlimited Desert Racer® (TUBES red-anodized, 7075-T6 aluminum, stronger than titanium) (102mm) (2) (assembled with rod ends and hollow balls)/ aluminum wrench, 7mm (1)

If you have questions or need technical assistance, call Traxxas at:

1-888-TRAXXAS

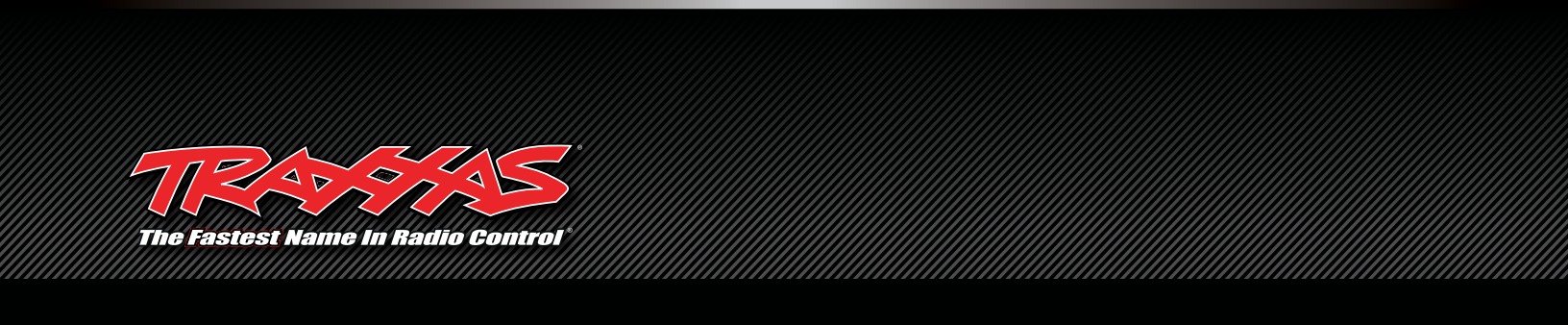
(1-888-872-9927) (U.S. residents only)

For orders, calls outside the U.S., and other information, call 972-549-3000, or fax to 972-549-3011 e-mail Traxxas at support@Traxxas.com

TRAXXAS.COM



TRAXXAS[®]
The Fastest Name In Radio Control[®]



ELECTRIC REVO MONSTER TRUCK

E-REVO

VXL BRUSHLESS

MODEL 86086-4

1/10 SCALE 4WD BRUSHLESS
MONSTER TRUCK

70+ mph*



TALON EXT™
ALL-TERRAIN TIRES

VXL 6S POWER SYSTEM

TQi 2.4GHz TRANSMITTER

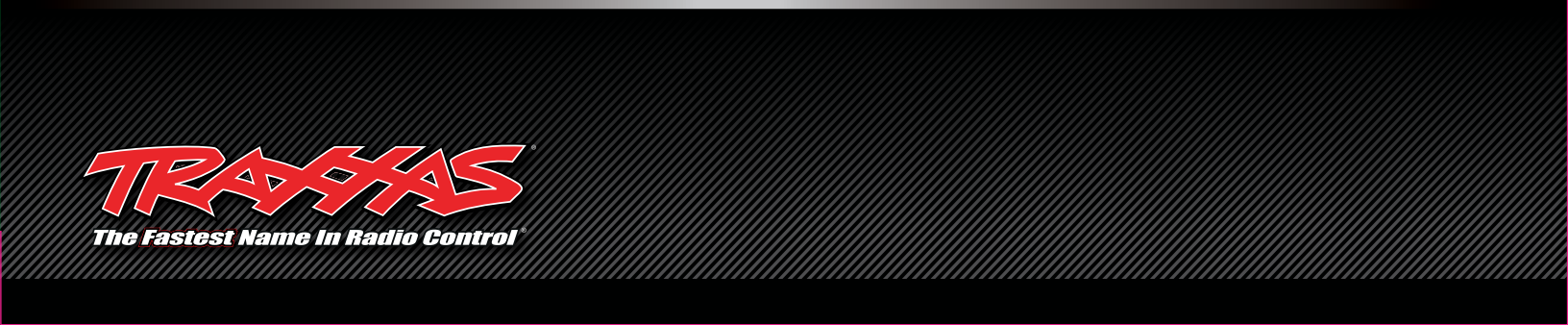
POWER. STRENGTH. SPEED.

There is no other monster truck like E-Revo. It embodies the highest level of creativity in design and engineering that unleashed a stunning array of new technology, new innovation, and unheard of speed that reset every benchmark for racing monster truck performance. Now there is a new generation of E-Revo. This new E-Revo retains all the benefits of its original ground-breaking, award-winning design, but fortifies them with brute strength and an intense, take-no-prisoners attitude to deliver what is simply the ultimate 6s monster. Get ready for a whole new level of power, strength, and speed.

*With two 3s LiPo batteries and optional gearing (Sold Separately)



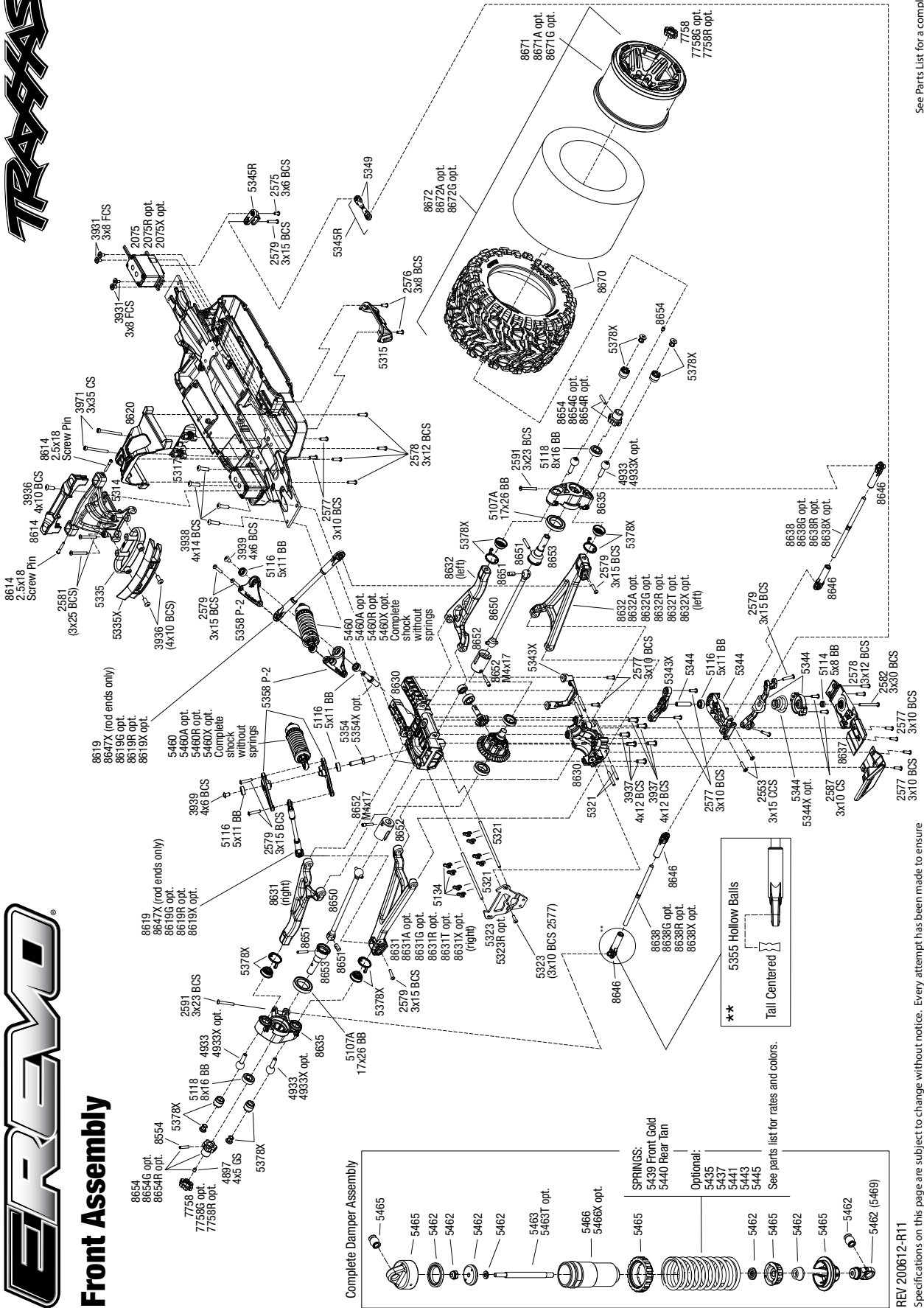
TRAXXAS
The Fastest Name In Radio Control



TRAXXAS

REVO

Front Assembly



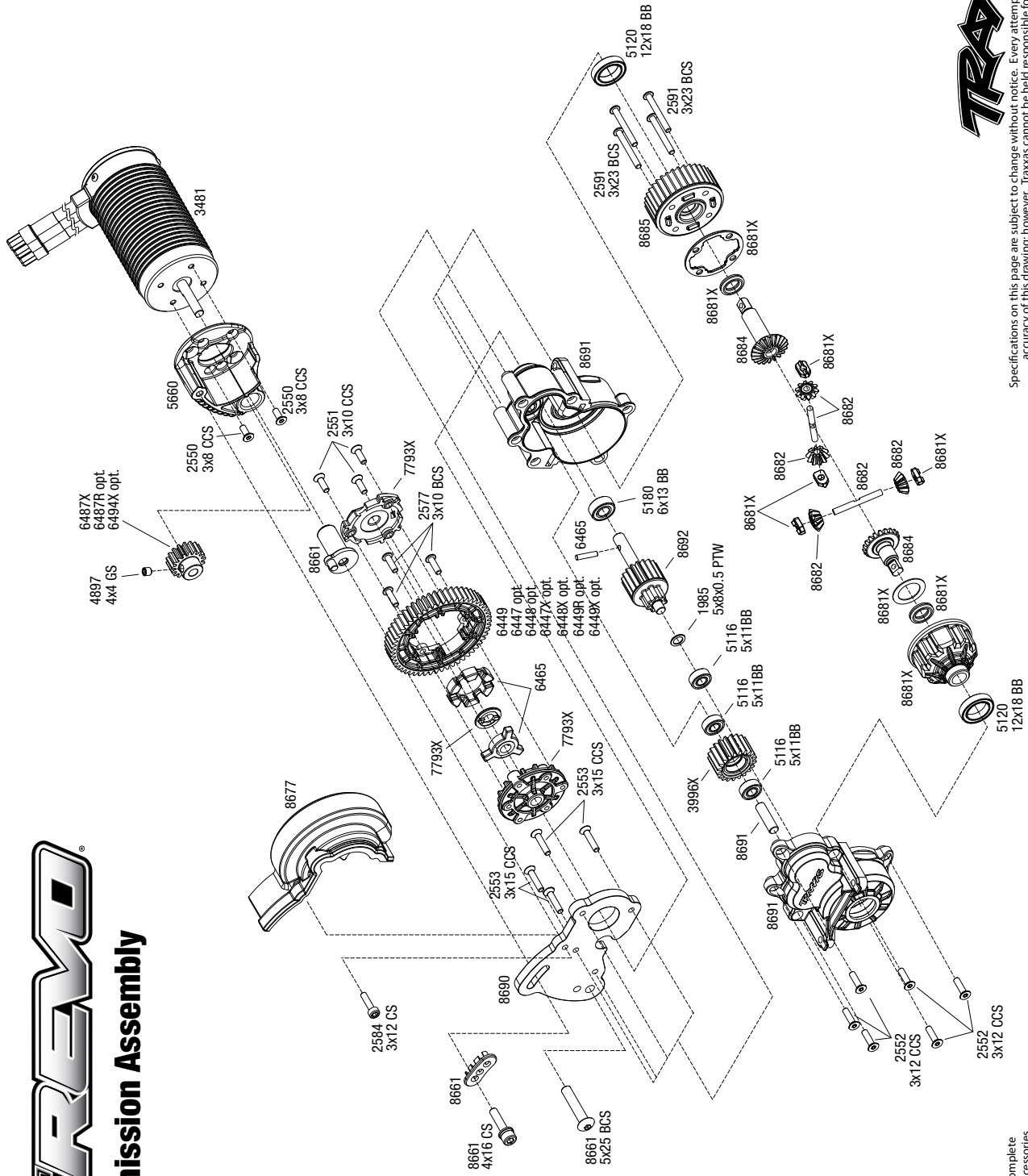
See Parts List for a complete listing of optional accessories.

Questions? Call toll-free, 1-888-TRAXXAS

EXPLODED VIEWS

E-REVO™ VXL BRUSHLESS (86086-4)

EXPLODED VIEWS



Transmission Assembly

Questions? Call toll-free, 1-888-TRAXXAS

REV 200612-R11



Specifications on this page are subject to change without notice. Every attempt has been made to ensure the accuracy of this drawing; however, Traxxas cannot be held responsible for typographical or other errors.

See Parts List for a complete listing of optional accessories.

PARTS SHOWN IN BOLD ARE OPTIONAL ACCESSORIES.

Part categories and individual part listings are arranged alphabetically.

Bearings & Bushings

5107A	Ball bearing, black rubber sealed (17x26x5mm) (2)
5120	Ball bearings, blue rubber sealed (12x18x4mm) (2)
5101	Ball bearings, blue rubber sealed (12x21x5mm) (2)
5116	Ball bearings, blue rubber sealed (5x11x4mm) (2)
5114	Ball bearings, blue rubber sealed (5x8x2.5mm) (2)
5180	Ball bearings, blue rubber sealed (6x13x5mm) (2)
5118	Ball bearings, blue rubber sealed (8x16x5mm) (2)

Body & Accessories

1926	Antenna caps, vinyl (2)/ antenna spool
5526	Antenna crimp nut, aluminum (blue-anodized)/ antenna nut tools
5526R	Antenna crimp nut, aluminum (red-anodized)/ antenna nut tools
1726	Antenna, tube (1)/ vinyl antenna cap (1)/ wire retainer (1)
8615	Body mounts, front & rear/ 3x12mm CS (4)/ 3x12mm shoulder screw (2)/ 3x10mm flat-head machine screw (8)/ 3x12mm BCS (1)
8614	Body posts, clipless, front & rear (1 each)
8610	Body reinforcement set (fits #8611 body)
8613	Body support/ 3x12mm CS (4)
8611	Body, E-Revo® (clear, requires painting)/ window, grille, lights decal sheet
8611G	Body, E-Revo®, green/ window, grille, lights decal sheet (assembled with front & rear body mounts and rear body support for clipless mounting)
8611A	Body, E-Revo®, orange/ window, grille, lights decal sheet (assembled with front & rear body mounts and rear body support for clipless mounting)
2514	Decal sheet, racing sponsors
9950	Official Team Traxxas® racing decal set (flag logo/ 6-color)
8617	Skid plate, roof (body)/ 3x12mm CS (4)
5185	Tires, rubber (2) (fits Traxxas® wheelie bar wheels)
4974	Wheelie bar arm (1)/ connector (1)/ 3x12 SS (hex drive) (4)
5473	Wheelie bar mount (1)(fits 1/10 scale Revo trucks)
5472	Wheelie bar, assembled (fits all 1/10th scale Revo trucks)
4976	Wheels (4)/ Axles (2), for wheelie bar
5413	Wing mount, center / wing washers (for Revo®)
8616	Wing mounts, low profile
5446	Wing, Revo® (black)/ decal sheet
5446G	Wing, Revo® (Exo-Carbon finish)/ decal sheet
5412	Wing, Revo® (white)/ decal sheet

Bumpers & Skidplates

5335X	Bumpers, front and rear (black chrome)
5315	Guards, steering servo (2)
8637	Skid plate set, front/ skid plate, rear/ 3x10 BCS (6)/ 3x30 BCS (1) (fits #8629 & 8630 bulkheads)
5637X	Skidplate, transmission, nylon (black)/ cover

Chassis & Attachments

8615	Body mounts, front & rear/ 3x12mm CS (4)/ 3x12mm shoulder screw (2)/ 3x10mm flat-head machine screw (8)/ 3x12mm BCS (1)
5624	Box, receiver (sealed)/ foam pad/ silicone grease/ 3x8mm BCS (2)/ 2.5x8mm CS (2)/ 3x6mm BCS (2)
5323	Bulkhead tie bars, front & rear (blue-anodized aluminum)
5323R	Bulkhead tie bars, front & rear (red-anodized aluminum)
8630	Bulkhead, front (upper and lower)/ 4x12mm BCS (6) (requires #8622 chassis)
8629	Bulkhead, rear (upper and lower)/ 4x12mm BCS (6) (requires #8622 chassis)
8620	Chassis supports, front & rear/ 3x12mm BCS (4)/ 3x15mm CS (4)/ 4x14mm BCS (1)
8622	Chassis, E-Revo® (requires #8629 & 8630 bulkheads)
5627	Door, battery compartment (2) (fits right or left side)
5315	Guards, steering servo (2)
5629	Retainer clip, battery (1)/ front clip (1)/ rear clip (1)/ foam spacer (1) (for one battery compartment)
5625	Seal kit, receiver box (includes o-ring, seals, and silicone grease)
5317	Shock mounts (front & rear)/ wire clip (1)/ chassis wire clips (4)/ 3x32mm CS (4)/ 3x6mm BCS (1)
8637	Skid plate set, front/ skid plate, rear/ 3x10 BCS (6)/ 3x30 BCS (1) (fits #8629 & 8630 bulkheads)
5637X	Skidplate, transmission, nylon (black)/ cover
5185	Tires, rubber (2) (fits Traxxas® wheelie bar wheels)
5628	Vent, battery compartment (includes latch) (1 pair, fits left or right side)
4974	Wheelie bar arm (1)/ connector (1)/ 3x12 SS (hex drive) (4)

5473	Wheelie bar mount (1)(fits 1/10 scale Revo trucks)
5472	Wheelie bar, assembled (fits all 1/10th scale Revo trucks)
4976	Wheels (4)/ axles (2), for Maxx® wheelie bar

Cush Drive Components

6465	Cush drive key/ pin/ elastomer damper
6487X	Gear, 15-T pinion (1.0 metric pitch) (fits 5mm shaft)/ set screw (compatible with steel spur gears)
6494X	Gear, 20-T pinion (1.0 metric pitch) (fits 5mm shaft)/ set screw (compatible with steel spur gears)
7793X	Housing, cush drive (front & rear halves)
6447	Spur gear, 46-tooth (1.0 metric pitch)
6448	Spur gear, 50-tooth (1.0 metric pitch)
6449	Spur gear, 54-tooth (1.0 metric pitch)

Differential Components

5118	Ball bearings, blue rubber sealed (8x16x5mm) (2)
8681X	Carrier, differential (aluminum)/ x-ring gaskets (2)/ ring gear gasket/ spacers (4)/ 12.2x18x0.5 metal washer
8681	Carrier, differential (heavy duty)/ x-ring gaskets (2)/ ring gear gasket/ spacers (4)/ 12.2x18x0.5 PTFE-coated washer (1)
8680	Differential gasket/ x-rings (2)/ 12.2x18x0.5 metal washer (1)/ 12.2x18x0.5 PTFE-coated washer (1)
5136X	Differential oil kit (1 each: 10K, 30K, 50K weights)
8682	Gear set, differential (spider gears (4), spider gear shaft (2))
5130	Oil, differential (100K weight) (.7 oz (20cc))
5135	Oil, differential (10K weight)
5040	Oil, differential (20M weight) (standard)
5136	Oil, differential (30K weight)
5137	Oil, differential (50K weight)
8684	Output gear, center differential, hardened steel (2)
8683	Output gears, differential, hardened steel (2)
8679	Ring gear, differential/ pinion gear, differential

Driveline Components

8635	Axle carriers, left & right (1 each) (use with 8x16mm & 17x26mm ball bearings)/ dust boot retainers (4)
8652	Drive cup, machined steel (2)/ 4x17mm screw pins (2)
8650	Driveshaft, steel constant-velocity (heavy duty, shaft only, 122.5mm)
8655R	Driveshafts, center E-Revo® (steel constant-velocity) front (1)/ rear (1) (assembled with inner and outer dust boots, for E-Revo)
5150	E-clips, 1.5mm (24)
8655	Half shafts, center (internal splined (2)/ external splined (2)) (plastic parts only)
8651	Rebuild kit, driveshaft (cross pin (2)/ 16mm pin (2)) (metal parts for 2 driveshafts)
5145	Screw pin, 4x15mm (6)
8653	Stub axle
5452	U-joints, driveshaft (carrier (4)/ 4.5mm cross pin (4)/ 3mm cross pin (4)/ e-clips (20)) (metal parts for 2 driveshafts)
8654	Wheel hubs, splined, 17mm (blue-anodized) (4)/ 4x5 GS (4)/ 3x14mm pin (4)
8654G	Wheel hubs, splined, 17mm (green-anodized) (4)/ 4x5 GS (4)/ 3x14mm pin (4)
8654A	Wheel hubs, splined, 17mm (orange-anodized) (4)/ 4x5 GS (4)/ 3x14mm pin (4)
8654R	Wheel hubs, splined, 17mm (red-anodized) (4)/ 4x5 GS (4)/ 3x14mm pin (4)
7758	Wheel nuts, splined, 17mm, serrated (blue-anodized) (4)
7758G	Wheel nuts, splined, 17mm, serrated (green-anodized) (4)
7758R	Wheel nuts, splined, 17mm, serrated (red-anodized) (4)
8658	Yokes, transmission (2)/ 4x15mm screw pins (2)

Front Suspension

8635	Axle carriers, left & right (1 each) (use with 8x16mm & 17x26mm ball bearings)/ dust boot retainers (4)
5323	Bulkhead tie bars, front & rear (blue-anodized aluminum)
5323R	Bulkhead tie bars, front & rear (red-anodized aluminum)
8630	Bulkhead, front (upper and lower)/ 4x12mm BCS (6) (requires #8622 chassis)
5134	Caster spacers (4)/ shims (4)
5378X	Pivot ball caps (4)/ dust boots, rubber (4)/ dust plugs, rubber (4)/ dust boot retainers, black (4), blue (4) (2 pkgs. req. to complete truck)
4933	Pivot balls (4)/ pivot ball cap bushings (4)
4933X	Pivot balls, hard-anodized 7075-T6 aluminum (4)/ pivot ball cap bushings (4)
8618	Push rod (steel) (assembled with rod ends) (2)
8619	Push rod (steel) (assembled with rod ends) (2)

E-REVO™ VXL BRUSHLESS (86086-4)

8618X	Push rods, aluminum (blue-anodized) (2) (assembled with rod ends)
8619X	Push rods, aluminum (blue-anodized) (2) (assembled with rod ends)
8618G	Push rods, aluminum (green-anodized) (2) (assembled with rod ends)
8619G	Push rods, aluminum (green-anodized) (2) (assembled with rod ends)
8618R	Push rods, aluminum (red-anodized) (2) (assembled with rod ends)
8619R	Push rods, aluminum (red-anodized) (2) (assembled with rod ends)
5354X	Rocker arm post (aluminum) (4)
5354	Rocker arm post (steel) (2)
5358	Rocker arm set, progressive-2 (90-T)/ spacers (red aluminum) (8)
8647	Rod ends, heavy duty (push rod) (8) (assembled with hollow balls)
8647X	Rod ends, heavy duty (push rod) (8) (assembled with hollow balls) (replacement ends for #8619, 8619G, 8619R, 8619X)
8646	Rod ends, heavy duty (toe links) (8) (assembled with hollow balls)
8632	Suspension arms, front (left), heavy duty (upper 1)/ lower (1))
8631	Suspension arms, front (right), heavy duty (upper 1)/ lower (1))
5321	Suspension pin set (front or rear, hardened steel), 3x20mm (4), 3x40mm (2))
8638	Toe link, 5.0mm steel (front or rear) (2)
8638X	Toe links, E-Revo® VXL (TUBES blue-anodized, 7075-T6 aluminum, stronger than titanium) (144mm) (2)/ rod ends, assembled with steel hollow balls (8)/ aluminum wrench, 10mm (1)
8638G	Toe links, E-Revo® VXL (TUBES green-anodized, 7075-T6 aluminum, stronger than titanium) (144mm) (2)/ rod ends, assembled with steel hollow balls (8)/ aluminum wrench, 10mm (1)
8638R	Toe links, E-Revo® VXL (TUBES red-anodized, 7075-T6 aluminum, stronger than titanium) (144mm) (2)/ rod ends, assembled with steel hollow balls (8)/ aluminum wrench, 10mm (1)

Hardware

5150	E-clips, 1.5mm (24)
5477	Flat wrench, 5mm (blue-anodized aluminum)
5478	Flat wrench, 8mm (blue-anodized aluminum)
3980	Glow plug wrench (universal wrench)
2586	Head screws, 3x15mm cap-head machine (hex drive) (6) (TRX 2.5)
5476X	Hex wrenches; 1.5mm, 2mm, 2.5mm, 3mm, 2.5mm ball
5475	Multi-tool (plastic)
5144	Screw pin, 2.5x18mm (6)
5145	Screw pin, 4x15mm (6)
3236	Screws, 2.5x12mm cap-head machine (6)
3965	Screws, 2.5x8mm cap-head machine (6)
2577	Screws, 3x10mm button-head machine (hex drive) (6)
2587	Screws, 3x10mm cap-head machine (6) (no washer)
2551	Screws, 3x10mm countersunk machine (6) (hex drive)
5282	Screws, 3x12mm button-head machine (6) (starter attachment screws with threadlock)
2578	Screws, 3x12mm button-head machine (hex drive) (6)
2552	Screws, 3x12mm countersunk machine (6) (hex drive)
2579	Screws, 3x15mm button-head machine (hex drive) (6)
2553	Screws, 3x15mm countersunk machine (6) (hex drive)
2581	Screws, 3x25mm button-head machine (hex drive) (6)
2582	Screws, 3x30mm button-head machine (hex drive) (6)
3971	Screws, 3x35mm cap-head machine (hex drive) (6)
2575	Screws, 3x6mm button-head machine (hex drive) (6)
2576	Screws, 3x8mm button-head machine (hex drive) (6)
3936	Screws, 4x10mm button-head machine (hex drive) (6)
3937	Screws, 4x12mm button-head machine (hex drive) (6)
3938	Screws, 4x14mm button-head machine (hex drive) (6)
3929	Screws, 4x18mm button-head machine (hex drive) (6)
3939	Screws, 4x6mm button-head machine (hex drive) (with threadlock) (6)
4897	Screws, set (grub) 4mm (6) (with threadlock)

Motors & Electronics

3475	Cooling fan, Velineon® VXL ESC (fits VXL-6s & VXL-8s)
2072A	Gear set (for 2070, 2075 servos)
2252	Gear set, metal (for 2250, 2255 servos)
2072R	Gear set, metal, high speed (for 2070, 2075 servos)
8661	Motor mount hinge post/ fixed gear adapter/ 5x25mm BCS (1)/ 4x16mm CS with split and flat washer (1)
5660	Motor mount, finned aluminum
3481	Motor, 2200Kv 75mm, brushless (with 6.5mm gold-plated connectors & high-efficiency heatsink)
8690	Plate, motor
2254	Servo case, aluminum (blue-anodized) (middle) (for 2250 servo)

2253	Servo case, aluminum (red-anodized) (middle) (for 2255 servo)
2251	Servo case, plastic (top, middle, bottom)/ gaskets/ hardware (for 2250, 2255 servos)
2074	Servo case/gaskets (for 2056 and 2075 waterproof servos)
2075R	Servo, digital high-speed, metal gear (ball bearing), waterproof
2075	Servo, digital high-torque (ball bearing), waterproof
2250	Servo, digital high-torque 330 coreless, metal gear (ball bearing), waterproof
2255	Servo, digital high-torque 400 brushless, metal gear (ball bearing), waterproof
2075X	Servo, digital high-torque, metal gear (ball bearing), waterproof
3480	Velineon® VXL-6s Brushless Power System, waterproof (includes VXL-6s ESC and 2200Kv, 75mm motor)
3485	Velineon® VXL-6s Electronic Speed Control, waterproof (brushless) (fwd/rev/brake)

Radio System, Batteries & Chargers

2872X	5000mAh 11.1v 3-Cell 25C LiPo Battery
2842X	5000mAh 7.4v 2-Cell 25C LiPo Battery
2843X	5800mAh 7.4v 2-Cell 25C LiPo Battery
2869X	7600mAh 7.4v 2-Cell 25C LiPo Battery
2976	AC to DC converter, 40W
2938X	Adapter, Traxxas® iD® LiPo battery (adapts Traxxas iD batteries to separate balance ports)
5526	Antenna crimp nut, aluminum (blue-anodized)/ antenna nut tools
5526R	Antenna crimp nut, aluminum (red-anodized)/ antenna nut tools
1726	Antenna, tube (1)/ vinyl antenna cap (1)/ wire retainer (1)
2943	Battery charge indicators (green (4), blue (4), grey (4))
6548	Battery door, transmitter (replacement for #6516, 6517, 6528, 6529, 6530 transmitters)
2914	Battery, Power Cell AA Alkaline (4)
2991	Battery/charger completer pack (includes #2972 Dual iD® charger (1), #2869X 7600mAh 7.4V 2-cell 25C LiPo battery (2))
2990	Battery/charger completer pack (includes #2972 Dual iD® charger (1), #2872X 5000mAh 11.1V 3-cell 25C LiPo battery (2))
2972	Charger, EZ-Peak® Dual, 100W, NiMH/LiPo with iD® Auto Battery Identification
2973	Charger, EZ-Peak® Live Dual, 200W, NiMH/LiPo with iD® Auto Battery Identification
2971	Charger, EZ-Peak® Live, 100W, NiMH/LiPo with iD® Auto Battery Identification
2970	Charger, EZ-Peak® Plus, 4 amp, NiMH/LiPo with iD® Auto Battery Identification
5632	Chassis brace, rear (fits E-Revo®/Summit)
6525	Communication link, telemetry expander
6566	Data link, telemetry expander (connects #6550X telemetry expander 2.0 to the #3485 VXL-6s or #3496 VXL-8s electronic speed control)
2978	Fuse, charger, 5A (2) (for #2974, 2975, 2977)
2072A	Gear set (for 2070, 2075 servos)
2252	Gear set, metal (for 2250, 2255 servos)
2072R	Gear set, metal, high speed (for 2070, 2075 servos)
2968X	LiPo cell voltage checker/balancer (includes #2938X adapter for Traxxas® iD® batteries)
2968	LiPo cell voltage checker/balancer (requires #2938X adapter for Traxxas® iD® batteries)
6556	Mount, telemetry expander (fits XO-1®, E-Revo®, Summit®, all Maxx® trucks, Revo® 3.3, Slayer Pro 4X4) (*requires rear chassis brace #5632)
6535	Mount, temperature sensor (electric motors)/ wire tie/ thermal pad
6533	Receiver, micro, TQi 2.4GHz with telemetry & TSM (5-channel)
6552	Seal kit, expander box (includes o-ring, seals, and silicone grease)
6526	Sensor, auto-detectable, temperature
6527	Sensor, auto-detectable, voltage
6521	Sensor, temperature and voltage (long)
2254	Servo case, aluminum (blue-anodized) (middle) (for 2250 servo)
2253	Servo case, aluminum (red-anodized) (middle) (for 2255 servo)
2251	Servo case, plastic (top, middle, bottom)/ gaskets/ hardware (for 2250, 2255 servos)
2074	Servo case/gaskets (for 2056 and 2075 waterproof servos)
2075R	Servo, digital high-speed, metal gear (ball bearing), waterproof
2075	Servo, digital high-torque (ball bearing), waterproof
2250	Servo, digital high-torque 330 coreless, metal gear (ball bearing), waterproof
2255	Servo, digital high-torque 400 brushless, metal gear (ball bearing), waterproof
2075X	Servo, digital high-torque, metal gear (ball bearing), waterproof
6553X	Telemetry expander 2.0 and GPS module 2.0, TQi radio system
6550X	Telemetry expander 2.0, TQi radio system (compatible only with #6551X GPS module)
6550	Telemetry expander, TQi radio system

- 6551X Telemetry GPS module 2.0, TQi radio system (compatible only with #6550X telemetry expander)
- 6509R TQi 2.4 GHz High Output radio system, 2-channel, Traxxas Link™ enabled, TSM (2-ch transmitter, 5-ch micro receiver)
- 6507R TQi 2.4 GHz High Output radio system, 4-channel with Traxxas Link™ Wireless Module, TSM (4-ch transmitter, 5-ch micro receiver)
- 6528 Transmitter, TQi Traxxas Link™ enabled, 2.4GHz high output, 2-channel (transmitter only)
- 6529 Transmitter, TQi Traxxas Link™ enabled, 2.4GHz high output, 3-channel (transmitter only)
- 6530 Transmitter, TQi Traxxas Link™ enabled, 2.4GHz high output, 4-channel (transmitter only)
- 6511 Traxxas Link™ Wireless Module

Ready-To-Race Model

- 86086-4 E-Revo® VXL Brushless: 1/10 Scale 4WD Brushless Electric Monster Truck with TQi 2.4GHz Traxxas Link™ Enabled Radio System and Traxxas Stability Management (TSM)®

Rear Suspension

- 8635 Axle carriers, left & right (1 each) (use with 8x16mm & 17x26mm ball bearings)/ dust boot retainers (4)
- 5323 Bulkhead tie bars, front & rear (blue-anodized aluminum)
- 5323R Bulkhead tie bars, front & rear (red-anodized aluminum)
- 8629 Bulkhead, rear (upper and lower)/ 4x12mm BCS (6) (requires #8622 chassis)
- 5378X Pivot ball caps (4)/ dust boots, rubber (4)/ dust plugs, rubber (4)/ dust boot retainers, black (4), blue (4) (2 pkgs. req. to complete truck)
- 4933 Pivot balls (4)/ pivot ball cap bushings (4)
- 4933X Pivot balls, hard-anodized 7075-T6 aluminum (4)/ pivot ball cap bushings (4)
- 8618 Push rod (steel) (assembled with rod ends) (2)
- 8619 Push rod (steel) (assembled with rod ends) (2)
- 8618X Push rods, aluminum (blue-anodized) (2) (assembled with rod ends)
- 8619X Push rods, aluminum (blue-anodized) (2) (assembled with rod ends)
- 8618G Push rods, aluminum (green-anodized) (2) (assembled with rod ends)
- 8619G Push rods, aluminum (green-anodized) (2) (assembled with rod ends)
- 8618R Push rods, aluminum (red-anodized) (2) (assembled with rod ends)
- 8619R Push rods, aluminum (red-anodized) (2) (assembled with rod ends)
- 5354X Rocker arm post (aluminum) (4)
- 5354 Rocker arm post (steel) (2)
- 5358 Rocker arm set, progressive-2 (90-T)/ spacers (red aluminum) (8)
- 8647 Rod ends, heavy duty (push rod) (8) (assembled with hollow balls)
- 8647X Rod ends, heavy duty (push rod) (8) (assembled with hollow balls) (replacement ends for #8619, 8619G, 8619R, 8619X)
- 8646 Rod ends, heavy duty (toe links) (8) (assembled with hollow balls)
- 8634 Suspension arms, rear (left), heavy duty, adjustable wheelbase (upper (1)/ lower (1))
- 8633 Suspension arms, rear (right), heavy duty, adjustable wheelbase (upper (1)/ lower (1))
- 5321 Suspension pin set (front or rear, hardened steel), 3x20mm (4), 3x40mm (2))
- 8638 Toe link, 5.0mm steel (front or rear) (2)
- 8638X Toe links, E-Revo® VXL (TUBES blue-anodized, 7075-T6 aluminum, stronger than titanium) (144mm) (2)/ rod ends, assembled with steel hollow balls (8)/ aluminum wrench, 10mm (1)
- 8638G Toe links, E-Revo® VXL (TUBES green-anodized, 7075-T6 aluminum, stronger than titanium) (144mm) (2)/ rod ends, assembled with steel hollow balls (8)/ aluminum wrench, 10mm (1)
- 8638R Toe links, E-Revo® VXL (TUBES red-anodized, 7075-T6 aluminum, stronger than titanium) (144mm) (2)/ rod ends, assembled with steel hollow balls (8)/ aluminum wrench, 10mm (1)

Shocks (GTR)

- 5466X Body, GTR shock (hard-anodized, PTFE-coated aluminum) (1)
- 5465 Caps and spring retainers, GTR shock (upper cap (2)/ hollow balls (2)/ bottom cap (2)/ upper retainer (2)/ lower retainer (2))
- 5475 Multi-tool (plastic)
- 5158 Nuts, 2.5mm nylon locking (12)
- 5462 Rebuild kit, GTR shock (x-rings, bump stops, bladders, all pistons, piston nuts, shock rod ends) renews 2 shocks
- 5469 Rod ends (GTR shocks) (6)
- 5463 Shaft, GTR shock (2) (stainless)
- 5463T Shaft, GTR shock, TiN-coated (2)

- 5460 Shocks, GTR aluminum (assembled) (2) (without springs)
- 5460A Shocks, GTR aluminum, blue-anodized (fully assembled w/o springs) (4)
- 5460R Shocks, GTR aluminum, red-anodized (fully assembled w/o springs) (4)
- 5460X Shocks, GTR hard-anodized, PTFE-coated aluminum bodies with TiN shafts (fully assembled w/o springs) (4)
- 5461 Variable damping kit, GTR shocks (includes #1, #2, #3 pistons and stainless steel valves)

Springs

- 5435 Spring, shock (red) (GTR) (2.6 rate yellow) (1 pair)
- 5436 Spring, shock (red) (GTR) (2.9 rate white) (1 pair)
- 5437 Spring, shock (red) (GTR) (3.2 rate orange) (1 pair)
- 5438 Spring, shock (red) (GTR) (3.5 rate green) (1 pair)
- 5439 Spring, shock (red) (GTR) (3.8 rate gold) (1 pair)
- 5440 Spring, shock (red) (GTR) (4.1 rate tan) (1 pair)
- 5441 Spring, shock (red) (GTR) (4.4 rate black) (1 pair)
- 5442 Spring, shock (red) (GTR) (4.9 rate silver) (std. front 120mm) (1 pair)
- 5444 Spring, shock (red) (GTR) (5.9 rate blue) (std. rear 120mm) (1 pair)
- 5445 Spring, shock (red) (GTR) (6.4 rate purple) (1 pair)
- 5443 Spring, shock red (GTR) (5.4 rate pink) (1 pair)

Spur Gears & Pinion Gears

- 6484X Gear, 11-T pinion (1.0 metric pitch) (fits 5mm shaft)/ set screw (compatible with steel spur gears)
- 6485X Gear, 12-T pinion (1.0 metric pitch) (fits 5mm shaft)/ set screw (compatible with steel spur gears)
- 6486X Gear, 13-T pinion (1.0 metric pitch) (fits 5mm shaft)/ set screw (compatible with steel spur gears)
- 6488X Gear, 14-T pinion (1.0 metric pitch) (fits 5mm shaft)/ set screw (compatible with steel spur gears)
- 6487X Gear, 15-T pinion (1.0 metric pitch) (fits 5mm shaft)/ set screw (compatible with steel spur gears)
- 6489X Gear, 16-T pinion (1.0 metric pitch) (fits 5mm shaft)/ set screw (compatible with steel spur gears)
- 6490X Gear, 17-T pinion (1.0 metric pitch) (fits 5mm shaft)/ set screw (compatible with steel spur gears)
- 6491X Gear, 18-T pinion (1.0 metric pitch) (fits 5mm shaft)/ set screw (compatible with steel spur gears)
- 6494X Gear, 20-T pinion (1.0 metric pitch) (fits 5mm shaft)/ set screw (compatible with steel spur gears)
- 6447 Spur gear, 46-tooth (1.0 metric pitch)
- 6447X Spur gear, 46-tooth, steel (1.0 metric pitch)
- 6448 Spur gear, 50-tooth (1.0 metric pitch)
- 6448X Spur gear, 50-tooth, steel (1.0 metric pitch)
- 6449 Spur gear, 54-tooth (1.0 metric pitch)
- 6449X Spur gear, 54-tooth, steel (1.0 metric pitch)

Steering Components

- 2072A Gear set (for 2070, 2075 servos)
- 2072R Gear set, metal, high speed (for 2070, 2075 servos)
- 5355X Hollow ball set, aluminum (30)/ tall centered hollow ball (2)/ tall offset hollow ball (2)/ bump steer adjustment shims; 3.5mm (2), 1.17mm (2)
- 5355 Hollow ball, tall centered (2)/ tall offset hollow ball (2)/ bump steer adjustment shims; 3.5mm (2), 1.17mm (2)
- 5343X Mount, steering arm/ steering stops (2) (lower hinge pin retainer) (includes standard and maximum throw steering stops)
- 5469 Rod ends (GTR shocks) (6)
- 8646 Rod ends, heavy duty (toe links) (8) (assembled with hollow balls)
- 5349 Rod ends, small, with hollow balls (6) (for Revo® steering linkage)
- 5345X Servo horns, steering and throttle (for non-Traxxas® servos (Hitec, JR, KO, Airtronics))
- 5345R Servo horns, steering, long (2), short (2)/ linkage, steering (3x20mm turnbuckle) (2)/ rod ends (short) (4)/ hollow balls (4)
- 5344X Servo saver spring, heavy duty (for use with metal-gear servos)
- 2075R Servo, digital high-speed, metal gear (ball bearing), waterproof
- 2075 Servo, digital high-torque (ball bearing), waterproof
- 2075X Servo, digital high-torque, metal gear (ball bearing), waterproof
- 8638 Toe link, 5.0mm steel (front or rear) (2)
- 8638X Toe links, E-Revo® VXL (TUBES blue-anodized, 7075-T6 aluminum, stronger than titanium) (144mm) (2)/ rod ends, assembled with steel hollow balls (8)/ aluminum wrench, 10mm (1)
- 8638G Toe links, E-Revo® VXL (TUBES green-anodized, 7075-T6 aluminum, stronger than titanium) (144mm) (2)/ rod ends, assembled with steel hollow balls (8)/ aluminum wrench, 10mm (1)

E-REVO™ VXL BRUSHLESS (86086-4)

- 8638R Toe links, E-Revo® VXL (TUBES red-anodized, 7075-T6 aluminum, stronger than titanium) (144mm) (2)/ rod ends, assembled with steel hollow balls (8)/ aluminum wrench, 10mm (1)

Suspension Linkage

- 5355X Hollow ball set, aluminum (30)/ tall centered hollow ball (2)/ tall offset hollow ball (2)/ bump steer adjustment shims; 3.5mm (2), 1.17mm (2)
- 5355 Hollow ball, tall centered (2)/ tall offset hollow ball (2)/ bump steer adjustment shims; 3.5mm (2), 1.17mm (2)
- 8618 Push rod (steel) (assembled with rod ends) (2)
- 8619 Push rod (steel) (assembled with rod ends) (2)
- 8618X Push rods, aluminum (blue-anodized) (2) (assembled with rod ends)
- 8619X Push rods, aluminum (blue-anodized) (2) (assembled with rod ends)
- 8618G Push rods, aluminum (green-anodized) (2) (assembled with rod ends)
- 8619G Push rods, aluminum (green-anodized) (2) (assembled with rod ends)
- 8618R Push rods, aluminum (red-anodized) (2) (assembled with rod ends)
- 8619R Push rods, aluminum (red-anodized) (2) (assembled with rod ends)
- 5469 Rod ends (GTR shocks) (6)
- 8647 Rod ends, heavy duty (push rod) (8) (assembled with hollow balls)
- 8647X Rod ends, heavy duty (push rod) (8) (assembled with hollow balls) (replacement ends for #8619, 8619G, 8619R, 8619X)
- 8646 Rod ends, heavy duty (toe links) (8) (assembled with hollow balls)
- 5345R Servo horns, steering, long (2), short (2)/ linkage, steering (3x20mm turnbuckle) (2)/ rod ends (short) (4)/ hollow balls (4)
- 5321 Suspension pin set (front or rear, hardened steel), 3x20mm (4), 3x40mm (2)
- 8638 Toe link, 5.0mm steel (front or rear) (2)
- 8638X Toe links, E-Revo® VXL (TUBES blue-anodized, 7075-T6 aluminum, stronger than titanium) (144mm) (2)/ rod ends, assembled with steel hollow balls (8)/ aluminum wrench, 10mm (1)
- 8638G Toe links, E-Revo® VXL (TUBES green-anodized, 7075-T6 aluminum, stronger than titanium) (144mm) (2)/ rod ends, assembled with steel hollow balls (8)/ aluminum wrench, 10mm (1)
- 8638R Toe links, E-Revo® VXL (TUBES red-anodized, 7075-T6 aluminum, stronger than titanium) (144mm) (2)/ rod ends, assembled with steel hollow balls (8)/ aluminum wrench, 10mm (1)

Team Traxxas Items

- 2514 Decal sheet, racing sponsors
- 6160X DVD, Maxx® Power! Full Throttle Action (sleeve)
- 9950 Official Team Traxxas® racing decal set (flag logo/ 6-color)
- 9909 Traxxas® racing banner, red & black (3x7 feet)

Tires & Wheels

- 8674 Tires & wheels, assembled, glued (black 3.8" wheels, paddle tires, foam inserts) (2) (TSM rated)
- 8672 Tires & wheels, assembled, glued (black wheels, Talon EXT tires, foam inserts) (2) (17mm splined) (TSM rated)
- 8672G Tires & wheels, assembled, glued (green wheels, Talon EXT tires, foam inserts) (2) (17mm splined) (TSM rated)
- 8672A Tires & wheels, assembled, glued (orange wheels, Talon EXT tires, foam inserts) (2) (17mm splined) (TSM rated)
- 4983A Tires & wheels, assembled, glued (SS (Split Spoke) black chrome wheels, Maxx® tires (6.3" outer diameter), foam inserts) (2) (fits Maxx®/Revo® series) (TSM rated)
- 5670 Tires, Canyon AT 3.8" (2)/ foam inserts (2)
- 4973 Tires, Maxx® 3.8" (6.3" outer diameter (160mm)) (2) (fits Revo®/Maxx® series)
- 5171 Tires, Maxx® Chevron 3.8" (2) (fits Revo®/Maxx® series)
- 8673 Tires, paddle 3.8" (2)/ foam inserts (2)
- 5375 Tires, Response Pro 3.8" (soft-compound, narrow profile, short knobby design)/ foam inserts (2)
- 5471 Tires, Response racing 3.8" (soft-compound, narrow profile, short knobby design)/ foam inserts (2)
- 5470 Tires, SportTraxx racing 3.8" (soft compound, directional and asymmetrical tread design)/ foam inserts (2)
- 8670 Tires, Talon EXT 3.8" (2)/ foam inserts (2)
- 8654 Wheel hubs, splined, 17mm (blue-anodized) (4)/ 4x5 GS (4)/ 3x14mm pin (4)
- 8654G Wheel hubs, splined, 17mm (green-anodized) (4)/ 4x5 GS (4)/ 3x14mm pin (4)
- 8654A Wheel hubs, splined, 17mm (orange-anodized) (4)/ 4x5 GS (4)/ 3x14mm pin (4)
- 8654R Wheel hubs, splined, 17mm (red-anodized) (4)/ 4x5 GS (4)/ 3x14mm pin (4)

- 7758 Wheel nuts, splined, 17mm, serrated (blue-anodized) (4)
- 7758G Wheel nuts, splined, 17mm, serrated (green-anodized) (4)
- 7758R Wheel nuts, splined, 17mm, serrated (red-anodized) (4)
- 8671 Wheels, 3.8" (black) (2) (17mm splined)
- 8671G Wheels, 3.8" (green) (2) (17mm splined)
- 8671A Wheels, 3.8" (orange) (2) (17mm splined)

Transmission Components

- 5116 Ball bearings, blue rubber sealed (5x11x4mm) (2)
- 8681X Carrier, differential (aluminum)/ x-ring gaskets (2)/ ring gear gasket/ spacers (4)/ 12.2x18x0.5 metal washer
- 8677 Cover, gear/ 3x12mm CS (1)
- 6465 Cush drive key/ pin/ elastomer damper
- 8682 Gear set, differential (spider gears (4), spider gear shaft (2))
- 8691 Gearbox halves (front & rear)/ idler gear shaft
- 5041 Grease, premium high performance (20cc)
- 7793X Housing, cush drive (front & rear halves)
- 8692 Input shaft/ idler gear
- 8661 Motor mount hinge post/ fixed gear adapter/ 5x25mm BCS (1)/ 4x16mm CS with split and flat washer (1)
- 5660 Motor mount, finned aluminum
- 8685 Output gear, 36-tooth, metal
- 8684 Output gear, center differential, hardened steel (2)
- 8690 Plate, motor
- 3965 Screws, 2.5x8mm cap-head machine (6)
- 2552 Screws, 3x12mm countersunk machine (6) (hex drive)
- 1647 Silicone grease

Traxxas Tools

- 3433X Body reamer (aluminum handle)
- 3433 Body reamer (plastic handle)
- 3436 Cap, body reamer
- 3432 Scissors, curved tip
- 3431 Scissors, straight tip
- 8712 Speed Bit Essentials Set, hex and nut driver, 7-piece, includes premium handle (medium), travel pouch, hex drivers (straight: 1.5mm, 2.0mm, 2.5mm) and nut drivers (5.0mm, 5.5mm, 7.0mm, and 8.0mm), 1/4" drive
- 8721 Speed bit handle, medium (one piece)
- 8720 Speed bit handle, premium, large (rubber overmold)
- 8722 Speed bit handle, premium, medium (rubber overmold)
- 8710 Speed Bit Master Set, hex and nut driver, 13-piece, includes premium handle (medium), travel pouch, hex drivers (straight: 1.5mm, 2.0mm, 2.5mm, 3.0mm), (ball-end: 2.0mm, 2.5mm, 3.0mm), and nut drivers (4.00mm, 4.50mm, 5.00mm, 5.50mm, 7.00mm, 8.00mm),
- 8711 Speed Bit Master Set, hex driver, 7-piece straight and ball end, includes premium handle (medium), travel pouch, hex drivers (straight: 1.5mm, 2.0mm, 2.5mm, 3.0mm) (ball end: 2.0mm, 2.5mm, 3.0mm), 1/4" drive
- 8719 Speed Bit Master Set, nut driver, 6-piece, includes premium handle (medium), travel pouch, and nut drivers (4.0mm, 4.5mm, 5.0mm, 5.5mm, 7.0mm, 8.0mm), 1/4" drive
- 8716 Speed Bit Set, hex driver, 2-piece ball-end (2.0mm, 2.5mm), 1/4" drive
- 8716X Speed Bit Set, hex driver, 3-piece ball-end (2.0mm, 2.5mm, 3.0mm), 1/4" drive
- 8715 Speed Bit Set, hex driver, 3-piece straight (1.5mm, 2.0mm, 2.5mm), 1/4" drive
- 8715X Speed Bit Set, hex driver, 4-piece straight (1.5mm, 2.0mm, 2.5mm, 3.0mm), 1/4" drive
- 3415 Tool set with pouch (includes 1.5mm, 2.0mm, 2.5mm, 3.0mm, 3.5mm, 4mm drivers/ 4mm, 5mm, 5.5mm, 7mm and 8mm nut drivers/ 2mm, 4mm, and 5mm slotted screwdrivers/ #00 Phillips, #0 Phillips, and #1 Phillips screwdrivers/ 4mm and 8mm wrench/ driver handle)

Turnbuckles & Threaded Rods

- 5477 Fiat wrench, 5mm (blue-anodized aluminum)
- 5341 Linkage, steering (Revo® 3.3) (3x50mm Turnbuckle) (2)/ rod ends (short) (4)/ hollow balls (4)
- 8618 Push rod (steel) (assembled with rod ends) (2)
- 8619 Push rod (steel) (assembled with rod ends) (2)
- 8618X Push rods, aluminum (blue-anodized) (2) (assembled with rod ends)
- 8619X Push rods, aluminum (blue-anodized) (2) (assembled with rod ends)
- 8618G Push rods, aluminum (green-anodized) (2) (assembled with rod ends)
- 8619G Push rods, aluminum (green-anodized) (2) (assembled with rod ends)
- 8618R Push rods, aluminum (red-anodized) (2) (assembled with rod ends)

4WD ELECTRIC MODELS

RUSTLER 4x4

MODEL 67064-1

1/10 SCALE 4WD
STADIUM TRUCK



WATERPROOF XL-5 ESC AND
TITAN 12T MOTOR



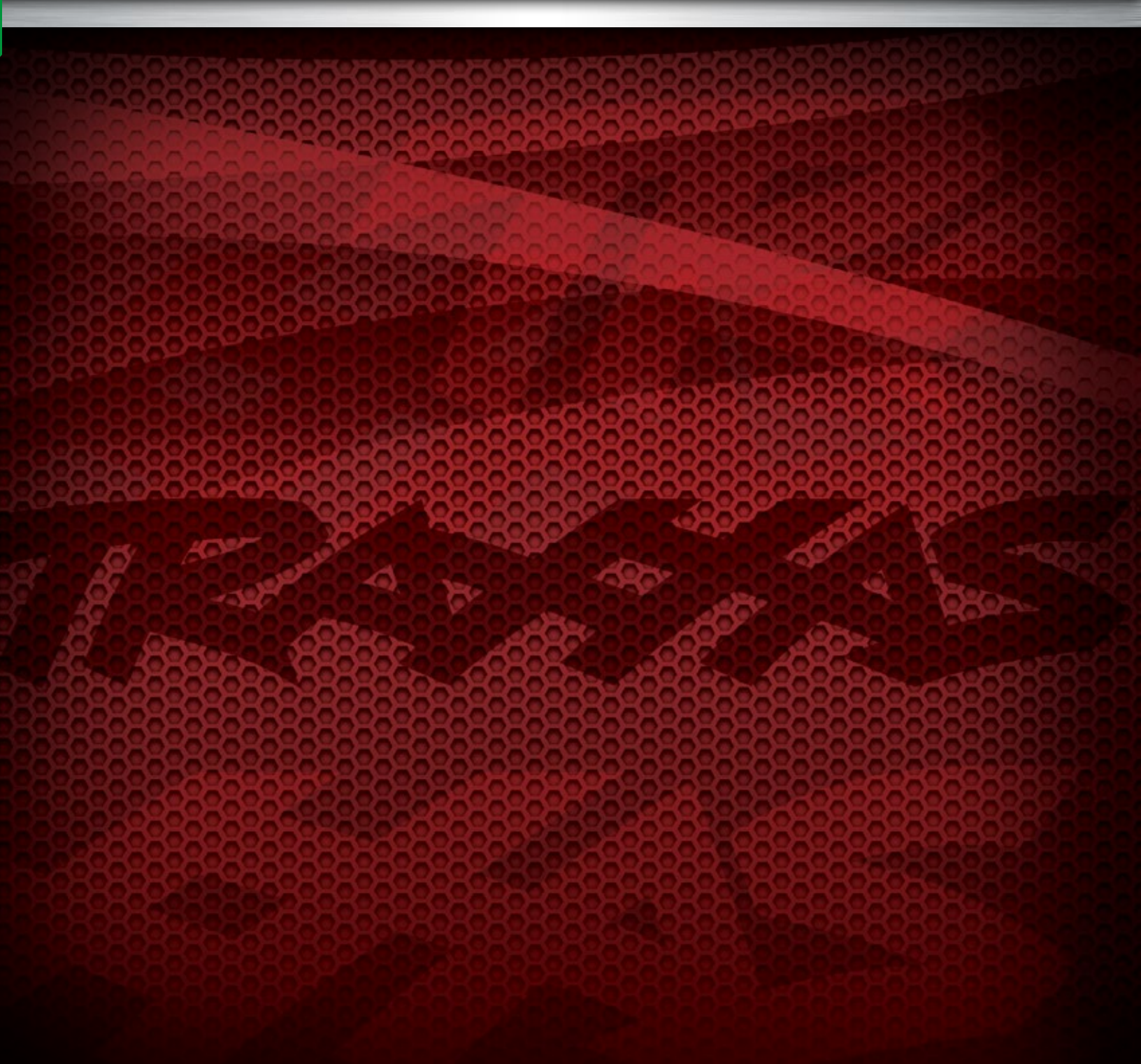
TQi 2.4GHz TRANSMITTER
COMPATIBLE WITH TRAXXAS
LINK WIRELESS MODULE



HIGH-CAPACITY 3000 MAH
7-CELL BATTERY AND
INCLUDED DC CHARGER

A NEW BREED OF STADIUM TRUCK

Rustler 4X4 infuses the speed and agility of the number-one-selling Rustler with 4-wheel drive performance, increased durability, and even more fun! Beneath the reinforced clipless body, the all-new chassis sits lower, wider, and longer than before for increased stability. The waterproof XL-5 electronic speed control and Titan[®] motor deliver high-octane horsepower and all-weather fun. Large Talon[™] EXT tires provide versatile grip on any terrain, from backyard trails to concrete skate parks. Rustler 4X4 destroys convention to become the new standard for 4x4 stadium trucks!

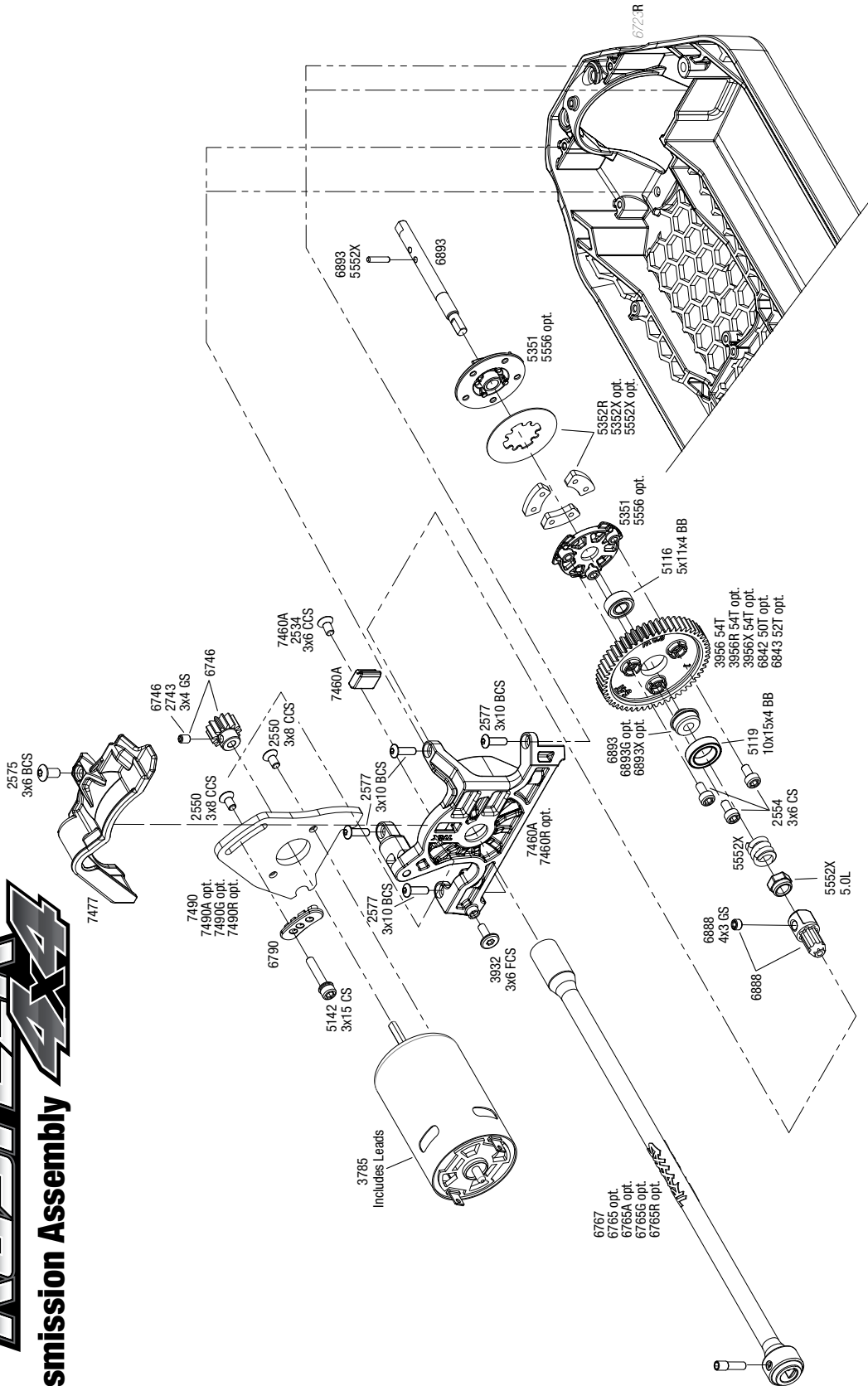


RUSTLER 4X4 (67064-1)

EXPLODED VIEWS

RUSTLER 4X4 Transmission Assembly

Questions? Call toll-free, 1-888-TRAXXAS



REV 200922-R18
Specifications on this page are subject to change without notice. Every attempt has been made to ensure the accuracy of this drawing; however, Traxxas cannot be held responsible for typographical or other errors.

See Parts List for a complete listing of optional accessories.

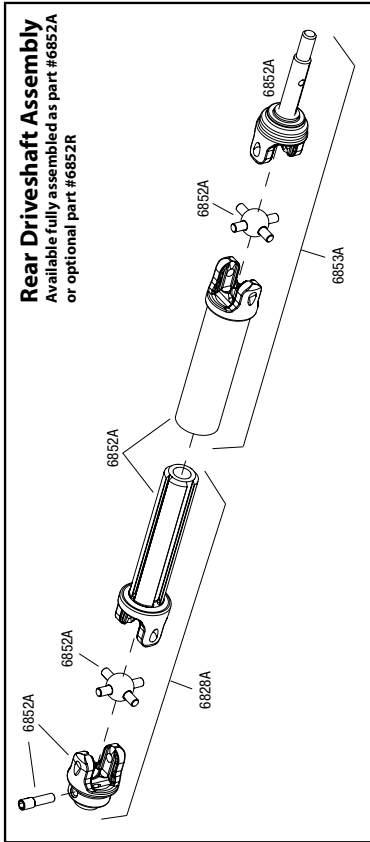
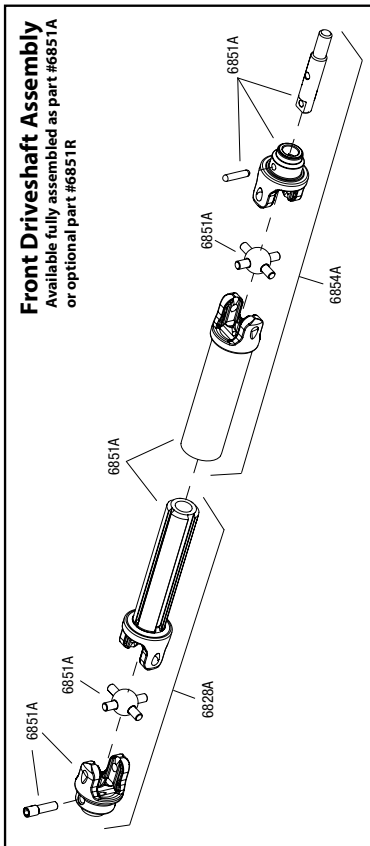


TRAXXAS

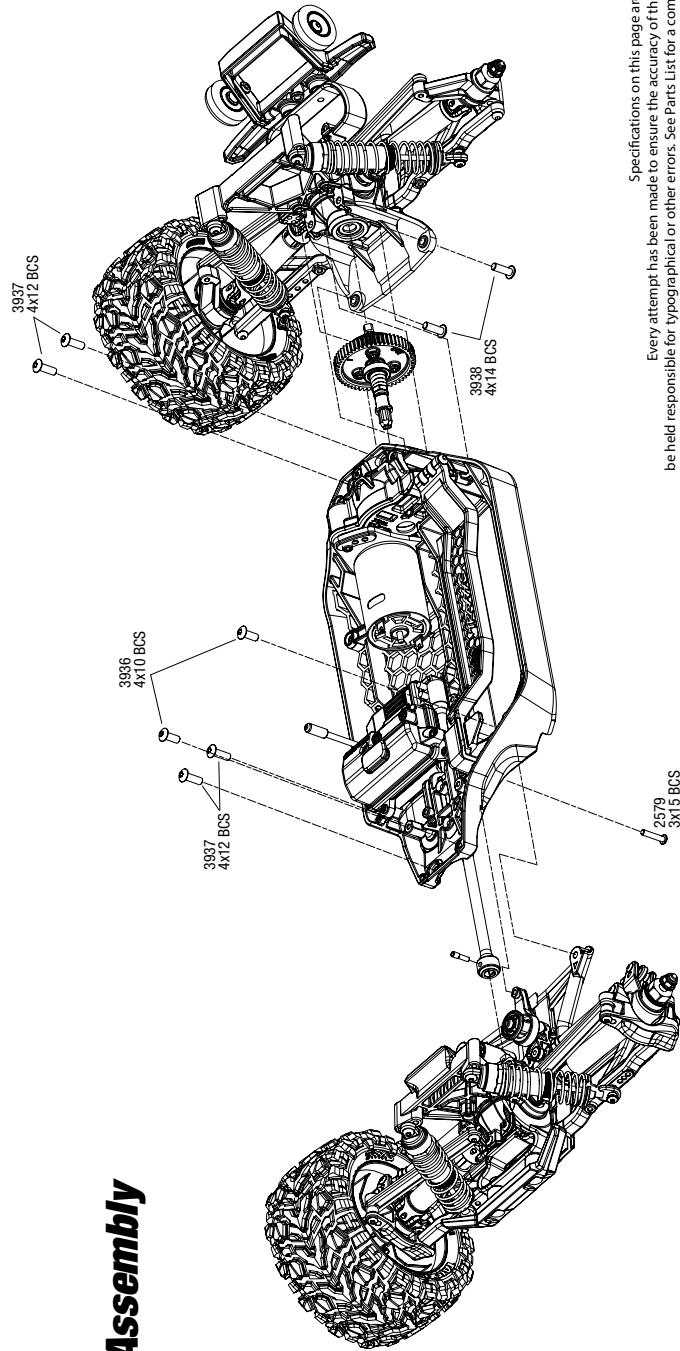
Driveshaft Assembly

RUSTLER 4x4

Driveshafts



Modular Assembly



Specifications on this page are subject to change without notice. Every attempt has been made to ensure the accuracy of this drawing, however Traxxas cannot be held responsible for typographical or other errors. See Parts List for a complete listing of optional accessories.

REV 200922-R18

Questions? Call toll-free, 1-888-TRAXXAS

EXPLODED VIEWS

PARTS SHOWN IN BOLD ARE OPTIONAL ACCESSORIES.

Part categories and individual part listings are arranged alphabetically.

Bearings & Bushings

4607	Ball bearings (5x11x4mm) (8)
4612	Ball bearings (10x15x4mm) (2)
2728	Ball bearings (5x8x2.5mm) (2)
5119A	Ball bearings, black rubber sealed (10x15x4mm) (2)
5119	Ball bearings, blue rubber sealed (10x15x4mm) (2)
5120	Ball bearings, blue rubber sealed (12x18x4mm) (2)
5116	Ball bearings, blue rubber sealed (5x11x4mm) (2)
5114	Ball bearings, blue rubber sealed (5x8x2.5mm) (2)
5117	Ball bearings, blue rubber sealed (6x12x4mm) (2)
5118	Ball bearings, blue rubber sealed (8x16x5mm) (2)
1985	PTFE-coated washers, 5x8x0.5mm (20) (use with ball bearings)

Body & Accessories

1926	Antenna caps, vinyl (2)/ antenna spool
1726	Antenna, tube (1)/ vinyl antenna cap (1)/ wire retainer (1)
6720	Body mounts, front & rear/ 3x12mm CS (4)/ 3x12mm shoulder screw (2)/ 3x10mm flat-head machine screw (8)/ 3x12mm BCS (1)
6710	Body reinforcement set (fits #6717 body)
6719	Body support/ 3x12mm CS (4)
6717	Body, Rustler® 4X4 (clear, requires painting)/ window, grille, lights decal sheet
6718X	Body, Rustler® 4X4, blue/ window, grille, lights decal sheet (assembled with front & rear body mounts and rear body support for clipless mounting)
6718	Body, Rustler® 4X4, red/ window, grille, lights decal sheet (assembled with front & rear body mounts and rear body support for clipless mounting)
6717X	Body, Rustler® 4X4, silver/ window, grille, lights decal sheet (assembled with front & rear body mounts and rear body support for clipless mounting)
2514	Decal sheet, racing sponsors
9950	Official Team Traxxas® racing decal set (flag logo/ 6-color)
6728X	Skid plate, roof (body) (blue)/ 3x12mm CS (4)
6728G	Skid plate, roof (body) (green)/ 3x12 CS (4)
6728T	Skid plate, roof (body) (orange)/ 3x12 CS (4)
6728R	Skid plate, roof (body) (red)/ 3x12mm CS (4)
6728A	Skid plate, roof (body) (white)/ 3x12 CS (4)
6728	Skid plate, roof (body)/ 3x12mm CS (4)
6721	Wing, Rustler® 4X4 (black)/ 3x8mm FCS (3)
6721X	Wing, Rustler® 4X4 (blue)/ 3x8 FCS (3)
6721G	Wing, Rustler® 4X4 (green)/ 3x8 FCS (3)
6721T	Wing, Rustler® 4X4 (orange)/ 3x8 FCS (3)
6721R	Wing, Rustler® 4X4 (red)/ 3x8 FCS (3)
6721A	Wing, Rustler® 4X4 (white)/ 3x8 FCS (3)

Center Driveline

5119A	Ball bearings, black rubber sealed (10x15x4mm) (2)
5119	Ball bearings, blue rubber sealed (10x15x4mm) (2)
5120	Ball bearings, blue rubber sealed (12x18x4mm) (2)
5116	Ball bearings, blue rubber sealed (5x11x4mm) (2)
5117	Ball bearings, blue rubber sealed (6x12x4mm) (2)
6893G	Bearing adapter, 6061-T6 aluminum (green-anodized) (1)/ 10x15x4mm ball bearing (black rubber sealed) (1) (for slipper shaft)
6893X	Bearing adapter, 6160-T6 aluminum (blue-anodized) (1)/ 10x15x4mm ball bearing (blue rubber sealed) (1) (for slipper shaft)
6741	Cover, center driveshaft (clear)
7477	Cover, gear/ wire retainer
6814	Differential kit, center (complete)
6888	Drive hub, center, rear (1)/ 4x3 GS (1)
6888X	Drive hub, front, hardened steel (1)/ screw pin (1)
6765	Driveshaft, center, 6061-T6 aluminum (blue-anodized) (189mm)
6765G	Driveshaft, center, 6061-T6 aluminum (green-anodized) (189mm)
6765A	Driveshaft, center, 6061-T6 aluminum (orange-anodized) (189mm)
6765R	Driveshaft, center, 6061-T6 aluminum (red-anodized) (189mm)
6767	Driveshaft, center, plastic, (black)/ screw pin
6883	Gear set, center differential (output gears (2)/ spider gears (2)/ spider gear shaft)
5148	Grease, white lithium
6884	Housing, center differential/ x-ring gaskets (2)/ ring gear gasket/ bushings (2)/ 5x10x0.5 TW (2)/ CCS 2.5x8 (4)
6893	Input shaft (slipper shaft)/ bearing adapter (1)/ pin (1)

7460A	Motor mount (assembled with 3x6 flat-head machine screw)/ 3.0mm NL (1)
7460R	Motor mount, 6061-T6 aluminum (blue-anodized)
7490	Plate, motor
7490G	Plate, motor, green
7490A	Plate, motor, orange
7490R	Plate, motor, red
5352R	Rebuild kit (heavy duty), slipper clutch (steel disc/ aluminum friction pads (3)/ spring (1)/ 2x9.8mm pin/ 5x8mm MW/ 5.0mm NL (1)/ 4.0mm NL (1))
5352X	Rebuild kit, slipper clutch (steel disc/ friction pads (3)/ spring (2)/ 2x9.8mm pin/ 5x8mm MW/ 5.0mm NL (1)/ 4.0mm NL (1))
5552X	Rebuild kit, slipper clutch (steel disc/ friction pads (3)/ spring (2)/ pin/ 4.0mm NL (1)/ 5.0mm NL (1))
2575	Screws, 3x6mm button-head machine (hex drive) (6)
2554	Screws, 3x6mm cap-head machine (hex drive) (6)
3932	Screws, 3x6mm flat-head machine (hex drive) (6)
1647	Silicone grease
6878	Slipper clutch, complete
5556	Slipper pressure plate & hub (aluminum alloy)
5351	Slipper pressure plate and hub (alloy)

Chassis & Attachments

6726X	Battery hold-down (3)/ battery clip/ hold-down post/ screw pin/ pivot post screw
6724	Box, receiver (sealed)/ foam pad/ 2.5x8mm CS (4)/ 3x10mm CS (2)
6736	Bumper, front/ bumper support
6737	Bumper, rear/ bumper mount, rear
6723R	Chassis (162mm long battery compartment) (fits flat style battery packs) (use only with #7430R front bulkhead & #6726X battery hold-down)
6730X	Chassis brace kit, blue (fits Rustler® 4X4 or Slash 4X4 models equipped with Low-CG chassis)
6730G	Chassis brace kit, green (fits Rustler® 4X4 or Slash 4X4 models equipped with Low-CG chassis)
6730A	Chassis brace kit, orange (fits Rustler® 4X4 or Slash 4X4 models equipped with Low-CG chassis)
6730R	Chassis brace kit, red (fits Rustler® 4X4 or Slash 4X4 models equipped with Low-CG chassis)
6725	Hold down, battery (for use with 30mm height and shorter battery packs)
6776	Wheelie bar

Differential Components

5119	Ball bearings, blue rubber sealed (10x15x4mm) (2)
5117	Ball bearings, blue rubber sealed (6x12x4mm) (2)
5118	Ball bearings, blue rubber sealed (8x16x5mm) (2)
5381	Carrier, differential/ x-ring gaskets (2)/ ring gear gasket/ 6x10x0.5 TW
6780	Differential kit, center (complete)
5136X	Differential oil kit (1 each: 10K, 30K, 50K weights)
6783	Gear set, center differential (output gears (2)/ spider gears (4)/ spider gear shaft (2))
6882X	Gear set, differential (output gears (2)/ spider gears (2)/ spider gear shaft, carrier support)
6781	Housing, center differential (aluminum)/ x-ring gaskets (2)/ ring gear gasket/ bushings (2)/ 5x10x0.5mm PTFE-coated washers (2)/ 2.5x8 CCS (4)
6881	Housings, differential, front
6880	Housings, differential, rear
6782	Output gears, center differential, hardened steel (2)
5379X	Ring gear, differential/ pinion gear, differential
6778	Ring gear, differential/ pinion gear, differential (12/47 ratio) (front)
6779	Ring gear, differential/ pinion gear, differential (12/47 ratio) (rear)
5379R	Ring gear, differential/ pinion gear, differential (machined, spiral cut) (front)
6879R	Ring gear, differential/ pinion gear, differential (machined, spiral cut) (rear)
6879	Ring gear, differential/ pinion gear, differential (rear)
3965	Screws, 2.5x8mm cap-head machine (6)
1647	Silicone grease

Driveline Components

5119A	Ball bearings, black rubber sealed (10x15x4mm) (2)
5119	Ball bearings, blue rubber sealed (10x15x4mm) (2)
5116	Ball bearings, blue rubber sealed (5x11x4mm) (2)
9059X	Cross pin (2)/ drive pin (2) (repairs 2 axle shafts)
6758	Differential output shaft (for steel constant-velocity driveshafts) (2)

RUSTLER 4X4 (67064-1)

9057X	Differential output shafts, steel-splined constant-velocity (2)	6739G	Shock tower, front, 7075-T6 aluminum (green-anodized) (1)/ body mount bracket (1)
6828A	Differential output yoke assembly, extreme heavy duty (2) (left or right, front or rear) (assembled with external-splined half shaft)	6739R	Shock tower, front, 7075-T6 aluminum (red-anodized) (1)/ body mount bracket (1)
6851A	Driveshaft assembly, front, extreme heavy duty (1) (left or right) (fully assembled, ready to install)/ screw pin (1)	6845X	Steering bellcranks/ servo saver/ servo saver spring/ servo spring retainer/servo horn, steering
6852A	Driveshaft assembly, rear, extreme heavy duty (1) (left or right) (fully assembled, ready to install)/ screw pin (1)	6837X	Steering blocks, 6061-T6 aluminum (blue-anodized), left & right
6765	Driveshaft, center, 6061-T6 aluminum (blue-anodized) (189mm)	6837R	Steering blocks, 6061-T6 aluminum (red-anodized), left & right
6765G	Driveshaft, center, 6061-T6 aluminum (green-anodized) (189mm)	6837	Steering blocks, left & right
6765A	Driveshaft, center, 6061-T6 aluminum (orange-anodized) (189mm)	6854A	Stub axle assembly, front, outer, extreme heavy duty (1) (left or right) (assembled with internal-splined half shaft)
6765R	Driveshaft, center, 6061-T6 aluminum (red-anodized) (189mm)	6754	Stub axle, front, 5mm (steel-splined constant-velocity driveshaft) (1)
6767	Driveshaft, center, plastic, (black)/ screw pin	6732	Suspension arm guards, front (2)/ guard spacers (2)/ hollow balls (2)/ 3X16mm BCS (8)
6851R	Driveshafts, front, steel-spline constant-velocity (complete assembly) (2)	3655P	Suspension arms, blue, front/rear (left & right), heavy duty (2)
9051X	Driveshafts, front, steel-spline constant-velocity (complete assembly) (2)	3655R	Suspension arms, front/rear (left & right), heavy duty (2)
6852R	Driveshafts, rear, steel-spline constant-velocity (complete assembly) (2)	3655G	Suspension arms, green, front/rear (left & right), heavy duty (2)
9052X	Driveshafts, rear, steel-spline constant-velocity (complete assembly) (2)	3655T	Suspension arms, orange, front/rear (left & right), heavy duty (2)
9055X	Half shaft, external splined (steel-spline constant velocity) (1)	3655L	Suspension arms, red, front/rear (left & right), heavy duty (2)
6750	Half shaft, external splined (steel-spline constant-velocity) (1)	3655A	Suspension arms, white, front/rear (left & right), heavy duty (2)
9056X	Half shaft, internal splined (steel-spline constant velocity) (1)	6834	Suspension pin set, complete (front and rear)
6751	Half shaft, internal splined (steel-spline constant-velocity) (1)	6898	Sway bar kit (front and rear) (includes front and rear sway bars and adjustable linkage)
6757	Rebuild kit, steel-splined constant-velocity driveshafts (includes pins, dustboots, lube, and hardware)	6742	Toe link, front & rear (molded composite) (2)/ hollow balls (4) (87mm center to center)
9058X	Rebuild kit, steel-splined constant-velocity driveshafts (includes pins, lube, and hardware for two axle shafts)	6742X	Toe links (TUBES blue-anodized, 7075-T6 aluminum, stronger than titanium) (87mm) (2)/ rod ends (4)/ aluminum wrench (1)
6854A	Stub axle assembly, front, outer, extreme heavy duty (1) (left or right) (assembled with internal-splined half shaft)	6742G	Toe links (TUBES green-anodized, 7075-T6 aluminum, stronger than titanium) (87mm) (2)/ rod ends (4)/ aluminum wrench (1)
6853A	Stub axle assembly, rear, outer, extreme heavy duty (1) (left or right) (assembled with internal-splined half shaft)	6742R	Toe links (TUBES red-anodized, 7075-T6 aluminum, stronger than titanium) (87mm) (2)/ rod ends (4)/ aluminum wrench (1)
6754	Stub axle, front, 5mm (steel-splined constant-velocity driveshaft) (1)	Hardware	
9054X	Stub axle, front, steel-splined constant velocity (1)	1926	Antenna caps, vinyl (2)/ antenna spool
6753	Stub axle, rear, 5mm (steel-splined constant-velocity driveshaft) (1)	1726	Antenna, tube (1)/ vinyl antenna cap (1)/ wire retainer (1)
9053X	Stub axle, rear, steel-splined constant velocity (1)	3642	Attachment screws, shock (3x12mm shoulder screws) (6)
Front Suspension & Steering		1552	Screws, 3x8mm cap-head machine (hex drive) (6)/ washers (6)/ wrench
2728	Ball bearings (5x8x2.5mm) (2)	3935	Body clip (mounting clip), angled, 90-degrees (10)
5114	Ball bearings, blue rubber sealed (5x8x2.5mm) (2)	3935A	Body clip (mounting clip), angled, 90-degrees (black) (10)
6823	Bulkhead tie bars, front & rear, aluminum (blue-anodized)	3934	Body clips, heavy duty (12)
6823G	Bulkhead tie bars, front & rear, aluminum (green-anodized)	1589	Double-sided adhesive tape (25mm x 25mm) (2)
6823R	Bulkhead tie bars, front & rear, aluminum (red-anodized)	2586	Screws, 3x15mm cap-head machine (hex drive) (6)
7430R	Bulkhead, front (for use only with #6723R chassis)	2745	Nuts, 3mm nylon locking (12)
3641A	Camber link set (plastic / non-adjustable) (front & rear) (grey)	3647	Nuts, 4mm flanged nylon locking (steel, serrated) (8)
3641	Camber link set (plastic/ non-adjustable) (front & rear) (black)	1747	Nuts, 4mm nylon locking (10)
3643X	Camber links, front (TUBES blue-anodized, 7075-T6 aluminum, stronger than titanium) (83mm) (2)/ rod ends (4)/ aluminum wrench (1) (#2579 3x15 BCS (4) required for installation)	1747R	Nuts, aluminum, flanged, serrated (4mm) (blue-anodized) (4)
3643G	Camber links, front (TUBES green-anodized, 7075-T6 aluminum, stronger than titanium) (83mm) (2)/ rod ends (4)/ aluminum wrench (1) (#2579 3x15 BCS (4) required for installation)	1747G	Nuts, aluminum, flanged, serrated (4mm) (green-anodized) (4)
3643R	Camber links, front (TUBES red-anodized, 7075-T6 aluminum, stronger than titanium) (83mm) (2)/ rod ends (4)/ aluminum wrench (1) (#2579 3x15 BCS (4) required for installation)	1747P	Nuts, aluminum, flanged, serrated (4mm) (pink-anodized) (4)
6832X	Caster blocks (c-hubs), 6061-T6 aluminum (blue-anodized), left & right	1747A	Nuts, aluminum, flanged, serrated (4mm) (red-anodized) (4)
6832G	Caster blocks (c-hubs), 6061-T6 aluminum (green-anodized), left & right	1985	PTFE-coated washers, 5x8x0.5mm (20) (use with ball bearings)
6832A	Caster blocks (c-hubs), 6061-T6 aluminum (orange-anodized), left & right	5525	Rod ends (12)/ hollow balls (12)
6832R	Caster blocks (c-hubs), 6061-T6 aluminum (red-anodized), left & right	2742X	Rod ends, short (6)/ hollow balls (6)
6832	Caster blocks (c-hubs), left & right	3347	Screws, 2.5x5mm button-head machine (hex drive) (6)
6845A	Drag link, machined 6061-T6 aluminum (blue-anodized)	3215	Screws, 2.5x6mm cap-head machine (hex drive) (6)
6845G	Drag link, machined 6061-T6 aluminum (green-anodized)	3965	Screws, 2.5x8mm cap-head machine (6)
6845T	Drag link, machined 6061-T6 aluminum (orange-anodized)	2577	Screws, 3x10mm button-head machine (hex drive) (6)
6845R	Drag link, machined 6061-T6 aluminum (red-anodized)	2578	Screws, 3x12mm button-head machine (hex drive) (6)
6851A	Driveshaft assembly, front, extreme heavy duty (1) (left or right) (fully assembled, ready to install)/ screw pin (1)	2552	Screws, 3x12mm countersunk machine (6) (hex drive)
6851R	Driveshafts, front, steel-spline constant-velocity (complete assembly) (2)	2579	Screws, 3x15mm button-head machine (hex drive) (6)
7438	Linkage, steering	3646	Screws, 3x15mm flat-head machine (hex drive) (6)
2742	Rod ends, long (6)/ hollow ball connectors (6)	2583	Screws, 3x18mm button-head machine (hex drive) (6)
5529	Shim set, 3x7x1mm (2), 3x6x0.5mm (4), 3x7x2mm (2)/ hollow balls, captured (4)	2580	Screws, 3x20mm button-head machine (hex drive) (6)
6739	Shock tower, front	2591	Screws, 3x23mm button-head machine (hex drive) (6)
6739X	Shock tower, front, 7075-T6 aluminum (blue-anodized) (1)/ body mount bracket (1)	2582	Screws, 3x30mm button-head machine (hex drive) (6)
		2592	Screws, 3x40mm button-head machine (hex drive) (6)
		2575	Screws, 3x6mm button-head machine (hex drive) (6)
		2554	Screws, 3x6mm cap-head machine (hex drive) (6)
		2534	Screws, 3x6mm countersunk machine (6) (hex drive)
		3932	Screws, 3x6mm flat-head machine (hex drive) (6)
		2576	Screws, 3x8mm button-head machine (hex drive) (6)
		3931	Screws, 3x8mm flat-head machine (hex drive) (6)
		3937	Screws, 4x12mm button-head machine (hex drive) (6)
		2542	Screws, 4x12mm countersunk machine (hex drive) (6)
		2546	Screws, 4x15mm countersunk machine (hex drive) (6)
		2743	Set (grub) screws, 3mm hardened (12)
		3642X	Shoulder screws, Ultra Shocks (3x12 hex drive) (6)
		2754	Stub axle pins (4)
		2746	Washers, 3x6mm metal (12)

Motors & Electronics

1726	Antenna, tube (1)/ vinyl antenna cap (1)/ wire retainer (1)
2260	BEC assembly (complete)
6790	Gear adapter, fixed, Rustler® 4X4
2072A	Gear set (for 2070, 2075 servos)
2252	Gear set, metal (for 2250, 2255 servos)
7460A	Motor mount (assembled with 3x6 flat-head machine screw)/ 3.0mm NL (1)
7460R	Motor mount, 6061-T6 aluminum (blue-anodized)
3785	Motor, Titan® 12T (12-Turn, 550 size)
3351R	Motor, Velineon® 3500, brushless (assembled with 12-gauge wire and gold-plated bullet connectors)
7490	Plate, motor
7490G	Plate, motor, green
7490A	Plate, motor, orange
7490R	Plate, motor, red
3347	Screws, 2.5x5mm button-head machine (hex drive) (6)
3932	Screws, 3x6mm flat-head machine (hex drive) (6)
2254	Servo case, aluminum (blue-anodized) (middle) (for 2250 servo)
2253	Servo case, aluminum (red-anodized) (middle) (for 2255 servo)
2251	Servo case, plastic (top, middle, bottom)/ gaskets/ hardware (for 2250, 2255 servos)
2074	Servo case/gaskets (for 2056 and 2075 waterproof servos)
2053	Servo gears (for 2055, 2056 servos)
2075R	Servo, digital high-speed, metal gear (ball bearing), waterproof
2075	Servo, digital high-torque (ball bearing), waterproof
2250	Servo, digital high-torque 330 coreless, metal gear (ball bearing), waterproof
2255	Servo, digital high-torque 400 brushless, metal gear (ball bearing), waterproof
2075X	Servo, digital high-torque, metal gear (ball bearing), waterproof
2056	Servo, high-torque, waterproof (blue case)
3350R	Velineon® VXL-3s Brushless Power System, waterproof (includes VXL-3s waterproof ESC, Velineon 3500 motor, and speed control mounting plate (part #3725R))
3355R	Velineon® VXL-3s Electronic Speed Control, waterproof (brushless) (fwd/rev/brake)
3018R	XL-5 Electronic Speed Control, waterproof (land version, low-voltage detection, fwd/rev/brake)

Radio System, Batteries & Chargers

2842X	5000mAh 7.4v 2-Cell 25C LiPo Battery
2843X	5800mAh 7.4v 2-Cell 25C LiPo Battery
2869X	7600mAh 7.4v 2-Cell 25C LiPo Battery
2976	AC to DC converter, 40W
2938X	Adapter, Traxxas® iD® LiPo battery (adapts Traxxas iD batteries to separate balance ports)
2943	Battery charge indicators (green (4), blue (4), grey (4))
6548	Battery door, transmitter (replacement for #6516, 6517, 6528, 6529, 6530 transmitters)
2914	Battery, Power Cell AA Alkaline (4)
2923X	Battery, Power Cell, 3000mAh (NiMH, 7-C flat, 8.4V)
2926X	Battery, Power Cell, 3000mAh (NiMH, 7-C hump, 8.4V)
2940X	Battery, Series 3 Power Cell, 3300mAh (NiMH, 7-C flat, 8.4V)
2941X	Battery, Series 3 Power Cell, 3300mAh (NiMH, 7-C hump, 8.4V)
2950X	Battery, Series 4 Power Cell, 4200mAh (NiMH, 7-C flat, 8.4V)
2951X	Battery, Series 4 Power Cell, 4200mAh (NiMH, 7-C hump, 8.4V)
2960X	Battery, Series 5 Power Cell, 5000mAh (NiMH, 7-C flat, 8.4V)
2961X	Battery, Series 5 Power Cell, 5000mAh (NiMH, 7-C hump, 8.4V)
2984	Battery/charger completer pack (includes #2969 2-amp NiMH peak detecting AC charger (1), #2926X 3000mAh 8.4V 7-cell NiMH battery (1))
2992	Battery/charger completer pack (includes #2970 iD® charger (1), #2843X 5800mAh 7.4V 2-cell 25C LiPo battery (1))
2260	BEC assembly (complete)
2975	Charger, DC, 4 amp (6 - 7 cell, 7.2 - 8.4 volt, NiMH)
2972	Charger, EZ-Peak® Dual, 100W, NiMH/LiPo with iD® Auto Battery Identification
2973	Charger, EZ-Peak® Live Dual, 200W, NiMH/LiPo with iD® Auto Battery Identification
2971	Charger, EZ-Peak® Live, 100W, NiMH/LiPo with iD® Auto Battery Identification
2970	Charger, EZ-Peak® Plus, 4 amp, NiMH/LiPo with iD® Auto Battery Identification
6525	Communication link, telemetry expander
6541	Connector, power tap (with cable) (long)/ wire tie
2978	Fuse, charger, 5A (2) (for #2974, 2975, 2977)
2072A	Gear set (for 2070, 2075 servos)
2252	Gear set, metal (for 2250, 2255 servos)
2968X	LiPo cell voltage checker/balancer (includes #2938X adapter for Traxxas® iD® batteries)

2968	LiPo cell voltage checker/balancer (requires #2938X adapter for Traxxas® iD® batteries)
6535	Mount, temperature sensor (electric motors)/ wire tie/ thermal pad
6519	Receiver, micro, TQ 2.4GHz (3-channel)
6518	Receiver, micro, TQi 2.4GHz with telemetry (5-channel)
3932	Screws, 3x6mm flat-head machine (hex drive) (6)
6552	Seal kit, expander box (includes o-ring, seals, and silicone grease)
6526	Sensor, auto-detectable, temperature
6527	Sensor, auto-detectable, voltage
6520	Sensor, RPM (long)/ 3x4mm BCS (2)/ 3x4 GS (1)
6521	Sensor, temperature and voltage (long)
2254	Servo case, aluminum (blue-anodized) (middle) (for 2250 servo)
2253	Servo case, aluminum (red-anodized) (middle) (for 2255 servo)
2251	Servo case, plastic (top, middle, bottom)/ gaskets/ hardware (for 2250, 2255 servos)
2074	Servo case/gaskets (for 2056 and 2075 waterproof servos)
2053	Servo gears (for 2055, 2056 servos)
2075R	Servo, digital high-speed, metal gear (ball bearing), waterproof
2075	Servo, digital high-torque (ball bearing), waterproof
2250	Servo, digital high-torque 330 coreless, metal gear (ball bearing), waterproof
2255	Servo, digital high-torque 400 brushless, metal gear (ball bearing), waterproof
2075X	Servo, digital high-torque, metal gear (ball bearing), waterproof
2056	Servo, high-torque, waterproof (blue case)
6553X	Telemetry expander 2.0 and GPS module 2.0, TQi radio system
6550X	Telemetry expander 2.0, TQi radio system (for use only with #6551X GPS module)
6551X	Telemetry GPS module 2.0, TQi radio system (for use only with #6550X telemetry expander)
6539	Telemetry trigger magnet holder, center differential/ magnet, 5x2mm (1)/ 3x8mm BCS (3)
6538	Telemetry trigger magnet holders, spur gear/ magnet, 5x2mm (1)/ 3x8mm CCS (3)/ 3x10mm CCS (3)
6540	Telemetry trigger magnet, 5X2mm (1)
6509R	TQi 2.4 GHz High Output radio system, 2-channel, Traxxas Link™ enabled, TSM (2-ch transmitter, 5-ch micro receiver)
6507R	TQi 2.4 GHz High Output radio system, 4-channel with Traxxas Link™ Wireless Module, TSM (4-ch transmitter, 5-ch micro receiver)
6516	Transmitter, TQ 2.4GHz, 2-channel (transmitter only)
6528	Transmitter, TQi Traxxas Link™ enabled, 2.4GHz high output, 2-channel (transmitter only)
6529	Transmitter, TQi Traxxas Link™ enabled, 2.4GHz high output, 3-channel (transmitter only)
6530	Transmitter, TQi Traxxas Link™ enabled, 2.4GHz high output, 4-channel (transmitter only)
6511	Traxxas Link™ Wireless Module

Ready-To-Race Model

67064-1	Rustler® 4X4: 1/10-scale 4WD Stadium Truck with TQ 2.4GHz radio system
---------	------------------------------------------------------------------------

Rear Suspension

6823	Bulkhead tie bars, front & rear, aluminum (blue-anodized)
6823G	Bulkhead tie bars, front & rear, aluminum (green-anodized)
6823R	Bulkhead tie bars, front & rear, aluminum (red-anodized)
7429	Bulkhead, rear
3641A	Camber link set (plastic / non-adjustable) (front & rear) (grey)
3641	Camber link set (plastic/ non-adjustable) (front & rear) (black)
3644X	Camber links, rear (TUBES blue-anodized, 7075-T6 aluminum, stronger than titanium) (73mm) (2)/ rod ends (4)/ aluminum wrench (1) (#2579 3x15 BCS (4) required for installation)
3644G	Camber links, rear (TUBES green-anodized 7075-T6 aluminum, stronger than titanium) (73mm) (2)/ rod ends (4)/ aluminum wrench (1) (#2579 3x15 BCS (4) required for installation)
3644R	Camber links, rear (TUBES red-anodized, 7075-T6 aluminum, stronger than titanium) (73mm) (2)/ rod ends (4)/ aluminum wrench (1) (#2579 3x15 BCS (4) required for installation)
1952X	Carriers, stub axle (blue-anodized 6061-T6 aluminum) (rear) (2)
1952G	Carriers, stub axle (green-anodized 6061-T6 aluminum) (rear) (2)
1952	Carriers, stub axle (rear) (2)
1952A	Carriers, stub axle (red-anodized 6061-T6 aluminum) (rear) (2)
6852A	Driveshaft assembly, rear, extreme heavy duty (1) (left or right) (fully assembled, ready to install)/ screw pin (1)
6852R	Driveshafts, rear, steel-spline constant-velocity (complete assembly) (2)
5529	Shim set, 3x7x1mm (2), 3x6x0.5mm (4), 3x7x2mm (2)/ hollow balls, captured (4)
6738	Shock tower, rear

RUSTLER 4X4 (67064-1)

6738X	Shock tower, rear, 7075-T6 aluminum (blue-anodized) (1)/ body mount bracket (1)
6738G	Shock tower, rear, 7075-T6 aluminum (green-anodized) (1)/ body mount bracket (1)
6738R	Shock tower, rear, 7075-T6 aluminum (red-anodized) (1)/ body mount bracket (1)
6853A	Stub axle assembly, rear, outer, extreme heavy duty (1) (left or right) (assembled with internal-splined half shaft)
3655P	Suspension arms, blue, front/rear (left & right), heavy duty (2)
3655R	Suspension arms, front/rear (left & right), heavy duty (2)
3655G	Suspension arms, green, front/rear (left & right), heavy duty (2)
3655T	Suspension arms, orange, front/rear (left & right), heavy duty (2)
3655L	Suspension arms, red, front/rear (left & right), heavy duty (2)
3655A	Suspension arms, white, front/rear (left & right), heavy duty (2)
6834	Suspension pin set, complete (front and rear)
6898	Sway bar kit (front and rear) (includes front and rear sway bars and adjustable linkage)

Shocks (GTR)

7466X	Body, GTR long (hard-anodized, PTFE-coated aluminum) (1)
7466	Body, GTR long shock, aluminum (blue-anodized) (PTFE-coated bodies) (1)
7466G	Body, GTR long shock, aluminum (green-anodized) (PTFE-coated bodies) (1)
7466A	Body, GTR long shock, aluminum (orange-anodized) (PTFE-coated bodies) (1)
7467X	Body, GTR xx-long (hard-anodized, PTFE-coated aluminum) (1)
7467	Body, GTR xx-long shock, aluminum (blue-anodized) (PTFE-coated bodies) (1)
7467G	Body, GTR xx-long shock, aluminum (green-anodized) (PTFE-coated bodies) (1)
7467A	Body, GTR xx-long shock, aluminum (orange-anodized) (PTFE-coated bodies) (1)
7468X	Caps & spring retainers, GTR shock (upper cap (2)/ hollow balls (4)/ bottom cap (2)/ upper retainer (2)/ lower retainer (2))
7468	Caps and spring retainers, GTR long/xx-long shock (upper cap (2)/ hollow balls (4)/ bottom cap (2)/ upper retainer (2)/ lower retainer (2))
5475	Multi-tool (plastic)
5158	Nuts, 2.5mm nylon locking (12)
7463	Rebuild kit, GTR long/xx-long shocks (x-rings, bladders, pistons, piston nuts, shock rod ends, hollow balls) (renews 2 shocks)
5469	Rod ends (GTR shocks) (6)
7464T	Shaft, GTR long, TiN-coated (2)
7461	Shocks, GTR long blue-anodized, PTFE-coated bodies with TiN shafts (fully assembled, without springs) (2)
7461G	Shocks, GTR long green-anodized, PTFE-coated bodies with TiN shafts (fully assembled, without springs) (2)
7461X	Shocks, GTR long hard-anodized, PTFE-coated bodies with TiN shafts (assembled) (2) (without springs)
7462	Shocks, GTR xx-long blue-anodized, PTFE-coated bodies with TiN shafts (fully assembled, without springs) (2)
7462G	Shocks, GTR xx-long green-anodized, PTFE-coated bodies with TiN shafts (fully assembled, without springs) (2)
7462X	Shocks, GTR xx-long hard-anodized, PTFE-coated bodies with TiN shafts (assembled) (2) (without springs)
8459	Spring retainers, lower (captured) (4)/ 2.5x10 CS (4)
7440	Spring, shock, white (GTR long) (0.623 rate orange) (1 pair)
7441	Spring, shock, white (GTR long) (0.653 rate green) (1 pair)
7444	Spring, shock, white (GTR long) (0.767 rate black) (1 pair)
7445	Spring, shock, white (GTR long) (0.810 rate pink) (1 pair)
7448	Spring, shock, white (GTR long) (0.892 rate blue) (1 pair)
7442	Spring, shock, white (GTR xx-long) (0.711 rate orange) (1 pair)
7443	Spring, shock, white (GTR xx-long) (0.762 rate green) (1 pair)
7446	Spring, shock, white (GTR xx-long) (0.874 rate black) (1 pair)
7447	Spring, shock, white (GTR xx-long) (0.884 rate pink) (1 pair)
7449	Spring, shock, white (GTR xx-long) (1.004 rate blue) (1 pair)

Shocks (Pro-Level Aluminum)

2664	Big Bore shock cylinder (long) (1)
2666	Big Bore shock cylinder (XX-long) (1)
5862	Big Bore shocks (hard-anodized & PTFE-coated T6 aluminum) (assembled with TiN shafts and springs) (front & rear) (4)
2660	Big Bore shocks (long) (hard-anodized & PTFE-coated T6 aluminum) (assembled with TiN shafts) w/o springs (front) (2)
2662	Big Bore shocks (XX-long) (hard-anodized & PTFE-coated T6 aluminum) (assembled with TiN shafts) w/o springs (rear) (2)
2669	Piston head set (2-hole (2)/ 3-hole (2)/) shock mounting bushings & washers (2) (Big Bore Shocks)
2362	Rebuild kit, Ultra shocks (for 2 shocks)
1942	Rod ends (16 long & 4 short)/ hollow ball connectors (18)/ ball screws (2)
2742X	Rod ends, short (6)/ hollow balls (6)

2667	Shock caps, aluminum (Big Bore Shocks) (2)
1664T	Shock shafts, hardened steel, titanium nitride coated (long) (2)
2656T	Shock shafts, hardened steel, titanium nitride coated (xx-long) (2)
1664	Shock shafts, steel, chrome finish (long) (2)
2656	Shock shafts, steel, chrome finish (xx-long) (2)
1765	Silicone diaphragms (4)
1666	Silicone shock oil (30 wt)
2668	Spring retainers, upper & lower (2)/ spring pre-load spacers: 1mm (4)/ 1.5mm (2)/ 2mm (2)/ 4mm (2)/ 8mm (2) (Big Bore Shocks)
6863	Springs, front (progressive, +10% rate, pink) (2)
6864	Springs, front (progressive, +20% rate, blue) (2)
6862	Springs, front (progressive, -10% rate, green) (2)
6861	Springs, front (progressive, -20% rate, orange) (2)
6867	Springs, front (white) (progressive rate) (2)
6867	Springs, rear (progressive, +10% rate, pink) (2)
6868	Springs, rear (progressive, +20% rate, blue) (2)
6866	Springs, rear (progressive, -10% rate, green) (2)
6865	Springs, rear (progressive, -20% rate, orange) (2)
6858	Springs, rear (white) (progressive rate) (2)

Shocks (Ultra Shocks)

3642	Attachment screws, shock (3x12mm shoulder screws) (6)
3765A	Body, Ultra Shock(s) (long) (grey) (2)
3766A	Body, Ultra Shock(s) (XXL) (grey) (2)
5475	Multi-tool (plastic)
2362	Rebuild kit, Ultra shocks (for 2 shocks)
1942	Rod ends (16 long & 4 short)/ hollow ball connectors (18)/ ball screws (2)
2742X	Rod ends, short (6)/ hollow balls (6)
3767	Shock caps (2)/ shock bottoms (2)
8361	Shock caps (black) (4) (assembled with hollow balls)
3767A	Shock caps, aluminum (blue-anodized) (4) (fits all Ultra Shocks)
3767G	Shock caps, aluminum (green-anodized) (4) (fits all Ultra Shocks)
3767P	Shock caps, aluminum (pink-anodized) (4) (fits all Ultra Shocks)
3767X	Shock caps, aluminum (red-anodized) (4) (fits all Ultra Shocks)
1664T	Shock shafts, hardened steel, titanium nitride coated (long) (2)
2656T	Shock shafts, hardened steel, titanium nitride coated (xx-long) (2)
1765	Silicone diaphragms (4)
1666	Silicone shock oil (30 wt)
3769	Spring pre-load spacers: 1mm (4)/ 2mm (2)/ 4mm (2)/ 8mm (2)
3768	Spring retainers, upper & lower (2)/ piston head set (2-hole (2)/ 3-hole (2))
3759	Springs, front (2)
6863	Springs, front (progressive, +10% rate, pink) (2)
6864	Springs, front (progressive, +20% rate, blue) (2)
6862	Springs, front (progressive, -10% rate, green) (2)
6861	Springs, front (progressive, -20% rate, orange) (2)
6857	Springs, front (white) (progressive rate) (2)
6867	Springs, rear (progressive, +10% rate, pink) (2)
6868	Springs, rear (progressive, +20% rate, blue) (2)
6866	Springs, rear (progressive, -10% rate, green) (2)
6865	Springs, rear (progressive, -20% rate, orange) (2)
3757X	Springs, rear (white) (2)
6858	Springs, rear (white) (progressive rate) (2)
3760	Ultra Shocks (black) (long) (complete w/ spring pre-load spacers & springs) (front) (2)
3762	Ultra Shocks (black) (xx-long) (complete w/ spring pre-load spacers & springs) (rear) (2)
3760A	Ultra Shocks (grey) (long) (complete w/ spring pre-load spacers & springs) (2)
3762A	Ultra Shocks (grey) (xx-long) (complete w/ spring pre-load spacers & springs) (rear) (2)

Slipper Clutch Components

5119A	Ball bearings, black rubber sealed (10x15x4mm) (2)
6893G	Bearing adapter, 6061-T6 aluminum (green-anodized) (1)/ 10x15x4mm ball bearing (black rubber sealed) (1) (for slipper shaft)
6893X	Bearing adapter, 6160-T6 aluminum (blue-anodized) (1)/ 10x15x4mm ball bearing (blue rubber sealed) (1) (for slipper shaft)
6888	Drive hub, center, rear (1)/ 4x3 GS (1)
6883	Gear set, center differential (output gears (2)/ spider gears (2)/ spider gear shaft)
6884	Housing, center differential/ x-ring gaskets (2)/ ring gear gasket/ bushings (2)/ 5x10x0.5 TW (2)/ CCS 2.5x8 (4)
6893	Input shaft (slipper shaft)/ bearing adapter (1)/ pin (1)

5352R	Rebuild kit (heavy duty), slipper clutch (steel disc/ aluminum friction pads (3)/ spring (1)/ 2x9.8mm pin/ 5x8mm MW/ 5.0mm NL (1)/ 4.0mm NL (1))
5352X	Rebuild kit, slipper clutch (steel disc/ friction pads (3)/ spring (2)/ 2x9.8mm pin/ 5x8mm MW/ 5.0mm NL (1)/ 4.0mm NL (1))
5552X	Rebuild kit, slipper clutch (steel disc/ friction pads (3)/ spring (2)/ pin/ 4.0mm NL (1)/ 5.0mm NL (1))
2554	Screws, 3x6mm cap-head machine (hex drive) (6)
6878	Slipper clutch, complete
5556	Slipper pressure plate & hub (aluminum alloy)
5351	Slipper pressure plate and hub (alloy)

Spur Gears & Pinion Gears

7477	Cover, gear/ wire retainer
6790	Gear adapter, fixed, Rustler® 4X4
6746	Gear, 10-T pinion (32-p) (steel)/ set screw
6747	Gear, 11-T pinion (32-p) (steel)/ set screw
3942X	Gear, 12-T pinion (32-p), heavy duty (machined, hardened steel)/ set screw
3943X	Gear, 13-T pinion (32-p), heavy duty (machined, hardened steel)/ set screw
3944X	Gear, 14-T pinion (32-p), heavy duty (machined, hardened steel)/ set screw
3945X	Gear, 15-T pinion (32-p), heavy duty (machined, hardened steel)/ set screw
3946X	Gear, 16-T pinion (32-p), heavy duty (machined, hardened steel)/ set screw
3947X	Gear, 17-T pinion (32-p), heavy duty (machined, hardened steel)/ set screw
3948X	Gear, 18-T pinion (32-p), heavy duty (machined, hardened steel)/ set screw
3949X	Gear, 19-T pinion (32-p), heavy duty (machined, hardened steel)/ set screw
3950X	Gear, 20-T pinion (32-p), heavy duty (machined, hardened steel)/ set screw
3951X	Gear, 21-T pinion (32-p), heavy duty (machined, hardened steel)/ set screw
3952X	Gear, 22-T pinion (32-p), heavy duty (machined, hardened steel)/ set screw
6745	Gear, 9-T pinion (32-p) (steel)/ set screw
6842	Spur gear, 50-tooth (0.8 metric pitch, compatible with 32-pitch)
6842R	Spur gear, 50-tooth (0.8 metric pitch, compatible with 32-pitch) (for center differential)
6843	Spur gear, 52-tooth (0.8 metric pitch, compatible with 32-pitch)
6843R	Spur gear, 52-tooth (0.8 metric pitch, compatible with 32-pitch) (for center differential)
3956	Spur gear, 54-tooth (0.8 metric pitch, compatible with 32-pitch)
3956R	Spur gear, 54-tooth (0.8 metric pitch, compatible with 32-pitch) (requires #6814 center differential)
3956X	Spur gear, steel, 54-tooth (0.8 metric pitch, compatible with 32-pitch) (requires #6780 center differential)

Steering Components

1552	Screws, 3x8mm cap-head machine (hex drive) (6)/washers (6)/ wrench
2728	Ball bearings (5x8x2.5mm) (2)
5114	Ball bearings, blue rubber sealed (5x8x2.5mm) (2)
6845A	Drag link, machined 6061-T6 aluminum (blue-anodized)
6845G	Drag link, machined 6061-T6 aluminum (green-anodized)
6845T	Drag link, machined 6061-T6 aluminum (orange-anodized)
6845R	Drag link, machined 6061-T6 aluminum (red-anodized)
7438	Linkage, steering
2742X	Rod ends, short (6)/ hollow balls (6)
6845X	Steering bellcranks/ servo saver/ servo saver spring/ servo spring retainer/servo horn, steering
6742	Toe link, front & rear (molded composite) (2)/ hollow balls (4) (87mm center to center)
6742X	Toe links (TUBES blue-anodized, 7075-T6 aluminum, stronger than titanium) (87mm) (2)/ rod ends (4)/ aluminum wrench (1)
6742G	Toe links (TUBES green-anodized, 7075-T6 aluminum, stronger than titanium) (87mm) (2)/ rod ends (4)/ aluminum wrench (1)
6742R	Toe links (TUBES red-anodized, 7075-T6 aluminum, stronger than titanium) (87mm) (2)/ rod ends (4)/ aluminum wrench (1)
2746	Washers, 3x6mm metal (12)

Suspension Linkage

3641A	Camber link set (plastic / non-adjustable) (front & rear) (grey)
3641	Camber link set (plastic/ non-adjustable) (front & rear) (black)
3643X	Camber links, front (TUBES blue-anodized, 7075-T6 aluminum, stronger than titanium) (83mm) (2)/ rod ends (4)/ aluminum wrench (1) (#2579 3x15 BCS (4) required for installation)
3643G	Camber links, front (TUBES green-anodized, 7075-T6 aluminum, stronger than titanium) (83mm) (2)/ rod ends (4)/ aluminum wrench (1) (#2579 3x15 BCS (4) required for installation)

3643R	Camber links, front (TUBES red-anodized, 7075-T6 aluminum, stronger than titanium) (83mm) (2)/ rod ends (4)/ aluminum wrench (1) (#2579 3x15 BCS (4) required for installation)
3644X	Camber links, rear (TUBES blue-anodized, 7075-T6 aluminum, stronger than titanium) (73mm) (2)/ rod ends (4)/ aluminum wrench (1) (#2579 3x15 BCS (4) required for installation)
3644G	Camber links, rear (TUBES green-anodized 7075-T6 aluminum, stronger than titanium) (73mm) (2)/ rod ends (4)/ aluminum wrench (1) (#2579 3x15 BCS (4) required for installation)
3644R	Camber links, rear (TUBES red-anodized, 7075-T6 aluminum, stronger than titanium) (73mm) (2)/ rod ends (4)/ aluminum wrench (1) (#2579 3x15 BCS (4) required for installation)
5525	Rod ends (12)/ hollow balls (12)
3739	Screw pin set (Rustler®/ Bandit/ Stampede®)
6834	Suspension pin set, complete (front and rear)
2537	Threaded rods (20/25/44mm 1 ea./) (1) 12mm set screw
3644	Turnbuckles, camber link, 39mm (69mm center to center) (assembled with rod ends and hollow balls) (1 left, 1 right)
3643	Turnbuckles, camber link, 49mm (82mm center to center) (assembled with rod ends and hollow balls) (1 left, 1 right)
5539	Turnbuckles, camber links, 58mm (assembled with rod ends and hollow balls) (2)

Team Traxxas Items

2514	Decal sheet, racing sponsors
6160X	DVD, Maxx® Power! Full Throttle Action (sleeve)
9950	Official Team Traxxas® racing decal set (flag logo/ 6-color)
9909	Traxxas® racing banner, red & black (3x7 feet)

Tires & Wheels

5116	Ball bearings, blue rubber sealed (5x11x4mm) (2)
5854	Hub retainer, 17mm hubs, M4 X 0.7 (4) (use with #5853X, #6856X, #6469)
3647	Nuts, 4mm flanged nylon locking (steel, serrated) (8)
1747R	Nuts, aluminum, flanged, serrated (4mm) (blue-anodized) (4)
1747G	Nuts, aluminum, flanged, serrated (4mm) (green-anodized) (4)
1747P	Nuts, aluminum, flanged, serrated (4mm) (pink-anodized) (4)
1985	PTFE-coated washers, 5x8x0.5mm (20) (use with ball bearings)
1647	Silicone grease
2754	Stub axle pins (4)
4175	Tires & wheels, assembled, glued (2.8") (All-Star black chrome wheels, paddle tires, foam inserts) (nitro rear/ 4WD electric front/rear) (2) (TSM rated)
3669A	Tires & wheels, assembled, glued (2.8") (All-Star black chrome wheels, Talon tires, foam inserts) (front/rear, Stampede 4x4) (2)
3669	Tires & wheels, assembled, glued (2.8") (All-Star chrome wheels, Talon tires, foam inserts) (front/rear, Stampede 4x4) (2)
6773G	Tires & wheels, assembled, glued (2.8") (RXT 4X4 green wheels, Talon Extreme tires, foam inserts) (4WD electric front/rear, 2WD electric front only) (2) (TSM rated)
6773X	Tires & wheels, assembled, glued (2.8") (RXT black chrome wheels, Talon Extreme tires, foam inserts) (4WD electric front/rear, 2WD electric front only) (2) (TSM rated)
6773	Tires & wheels, assembled, glued (2.8") (RXT black wheels, Talon Extreme tires, foam inserts) (4WD electric front/rear, 2WD electric front only) (2) (TSM rated)
6773A	Tires & wheels, assembled, glued (2.8") (RXT orange wheels, Talon Extreme tires, foam inserts) (4WD electric front/rear, 2WD electric front only) (2) (TSM rated)
6773R	Tires & wheels, assembled, glued (2.8") (RXT satin chrome wheels, Talon Extreme tires, foam inserts) (4WD electric front/rear, 2WD electric front only) (2) (TSM rated)
6792	Tires & wheels, assembled, glued (black 2.8" wheels, Sledgehammer™ tires, foam inserts) (2) (TSM® rated)
6771	Tires and wheels, assembled, glued 2.8" (All-Star chrome wheels, Maxx® tires, foam inserts) (2)
6770	Tires, Maxx® 2.8" (2)/ foam inserts (2)
3671	Tires, Talon 2.8" (2)/ foam inserts (2)
6769	Tires, Talon EXT 2.8" (2)/ foam inserts (2)
1654	Wheel hubs, hex (rear) (2)/ stub axle pins (2)
1654X	Wheel hubs, hex (blue-anodized, lightweight aluminum) (2)/ axle pins (4)
6856X	Wheel hubs, splined, 17mm, short (4)/ wheel nuts, splined, 17mm (4) (blue-anodized)/ hub retainer M4 X 0.7 (4)/ axle pin (4)/ wrench, 5mm
5353	Wheel nuts, splined, 17mm (blue-anodized) (4)
5480X	Wheel wrench, splined, 17mm
5576A	Wheels, All-Star 2.8" (black chrome) (front/rear, Stampede 4x4) (2)
5576	Wheels, All-Star 2.8" (chrome) (Stampede 4x4 front or rear) (2)
6772	Wheels, RXT 2.8" (black) (2)
5572	Wheels, Twin-Spoke 2.8" (chrome) (front/rear, Stampede 4x4) (2)

RUSTLER 4X4 (67064-1)**Traxxas Tools**

3433X	Body reamer (aluminum handle)
3433	Body reamer (plastic handle)
3436	Cap, body reamer
3432	Scissors, curved tip
3431	Scissors, straight tip
8712	Speed Bit Essentials Set, hex and nut driver, 7-piece, includes premium handle (medium), travel pouch, hex drivers (straight: 1.5mm, 2.0mm, 2.5mm) and nut drivers (5.0mm, 5.5mm, 7.0mm, and 8.0mm), 1/4" drive
8721	Speed bit handle, medium (one piece)
8720	Speed bit handle, premium, large (rubber overmold)
8722	Speed bit handle, premium, medium (rubber overmold)
8710	Speed Bit Master Set, hex and nut driver, 13-piece, includes premium handle (medium), travel pouch, hex drivers (straight: 1.5mm, 2.0mm, 2.5mm, 3.0mm), (ball-end: 2.0mm, 2.5mm, 3.0mm), and nut drivers (4.00mm, 4.50mm, 5.00mm, 5.50mm, 7.00mm, 8.00mm),
8711	Speed Bit Master Set, hex driver, 7-piece straight and ball end, includes premium handle (medium), travel pouch, hex drivers (straight: 1.5mm, 2.0mm, 2.5mm, 3.0mm) (ball end: 2.0mm, 2.5mm, 3.0mm), 1/4" drive
8719	Speed Bit Master Set, nut driver, 6-piece, includes premium handle (medium), travel pouch, and nut drivers (4.0mm, 4.5mm, 5.0mm, 5.5mm, 7.0mm, 8.0mm), 1/4" drive
8716	Speed Bit Set, hex driver, 2-piece ball-end (2.0mm, 2.5mm), 1/4" drive
8716X	Speed Bit Set, hex driver, 3-piece ball-end (2.0mm, 2.5mm, 3.0mm), 1/4" drive
8715	Speed Bit Set, hex driver, 3-piece straight (1.5mm, 2.0mm, 2.5mm), 1/4" drive
8715X	Speed Bit Set, hex driver, 4-piece straight (1.5mm, 2.0mm, 2.5mm, 3.0mm), 1/4" drive
3415	Tool set with pouch (includes 1.5mm, 2.0mm, 2.5mm, 3.0mm, 3.5mm, 4mm drivers/ 4mm, 5mm, 5.5mm, 7mm and 8mm nut drivers/ 2mm, 4mm, and 5mm slotted screwdrivers/ #00 Phillips, #0 Phillips, and #1 Phillips screwdrivers/ 4mm and 8mm wrench/ driver handle

Turnbuckles & Threaded Rods

3643X	Camber links, front (TUBES blue-anodized, 7075-T6 aluminum, stronger than titanium) (83mm) (2)/ rod ends (4)/ aluminum wrench (1) (#2579 3x15 BCS (4) required for installation)
3643G	Camber links, front (TUBES green-anodized, 7075-T6 aluminum, stronger than titanium) (83mm) (2)/ rod ends (4)/ aluminum wrench (1) (#2579 3x15 BCS (4) required for installation)
3643R	Camber links, front (TUBES red-anodized, 7075-T6 aluminum, stronger than titanium) (83mm) (2)/ rod ends (4)/ aluminum wrench (1) (#2579 3x15 BCS (4) required for installation)
3644X	Camber links, rear (TUBES blue-anodized, 7075-T6 aluminum, stronger than titanium) (73mm) (2)/ rod ends (4)/ aluminum wrench (1) (#2579 3x15 BCS (4) required for installation)
3644G	Camber links, rear (TUBES green-anodized 7075-T6 aluminum, stronger than titanium) (73mm) (2)/ rod ends (4)/ aluminum wrench (1) (#2579 3x15 BCS (4) required for installation)
3644R	Camber links, rear (TUBES red-anodized, 7075-T6 aluminum, stronger than titanium) (73mm) (2)/ rod ends (4)/ aluminum wrench (1) (#2579 3x15 BCS (4) required for installation)
5525	Rod ends (12)/ hollow balls (12)
3644	Turnbuckles, camber link, 39mm (69mm center to center) (assembled with rod ends and hollow balls) (1 left, 1 right)
3643	Turnbuckles, camber link, 49mm (82mm center to center) (assembled with rod ends and hollow balls) (1 left, 1 right)
5539	Turnbuckles, camber links, 58mm (assembled with rod ends and hollow balls) (2)

If you have questions or need technical assistance, call Traxxas at:

1-888-TRAXXAS

(1-888-872-9927) (U.S. residents only)

For orders, calls outside the U.S., and other information, call 972-549-3000, or fax to 972-549-3011 e-mail Traxxas at support@Traxxas.com

TRAXXAS.COM

4WD ELECTRIC MODELS

RUSTLER 4x4 VXL

MODEL 67076-4

1/10 SCALE 4WD
STADIUM TRUCK



VELINEON 3500
BRUSHLESS MOTOR



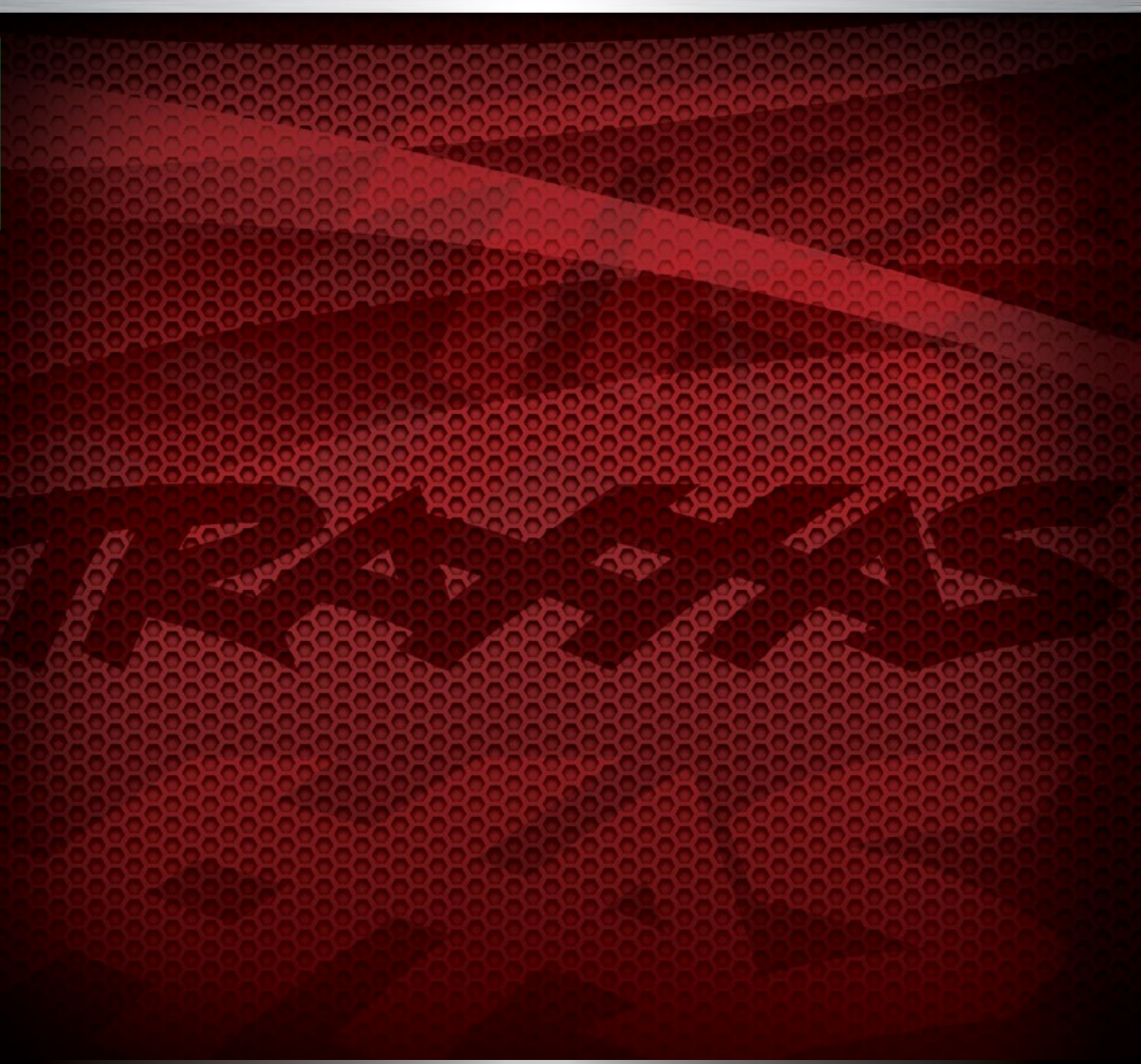
WATERPROOF
VXL-3S ESC

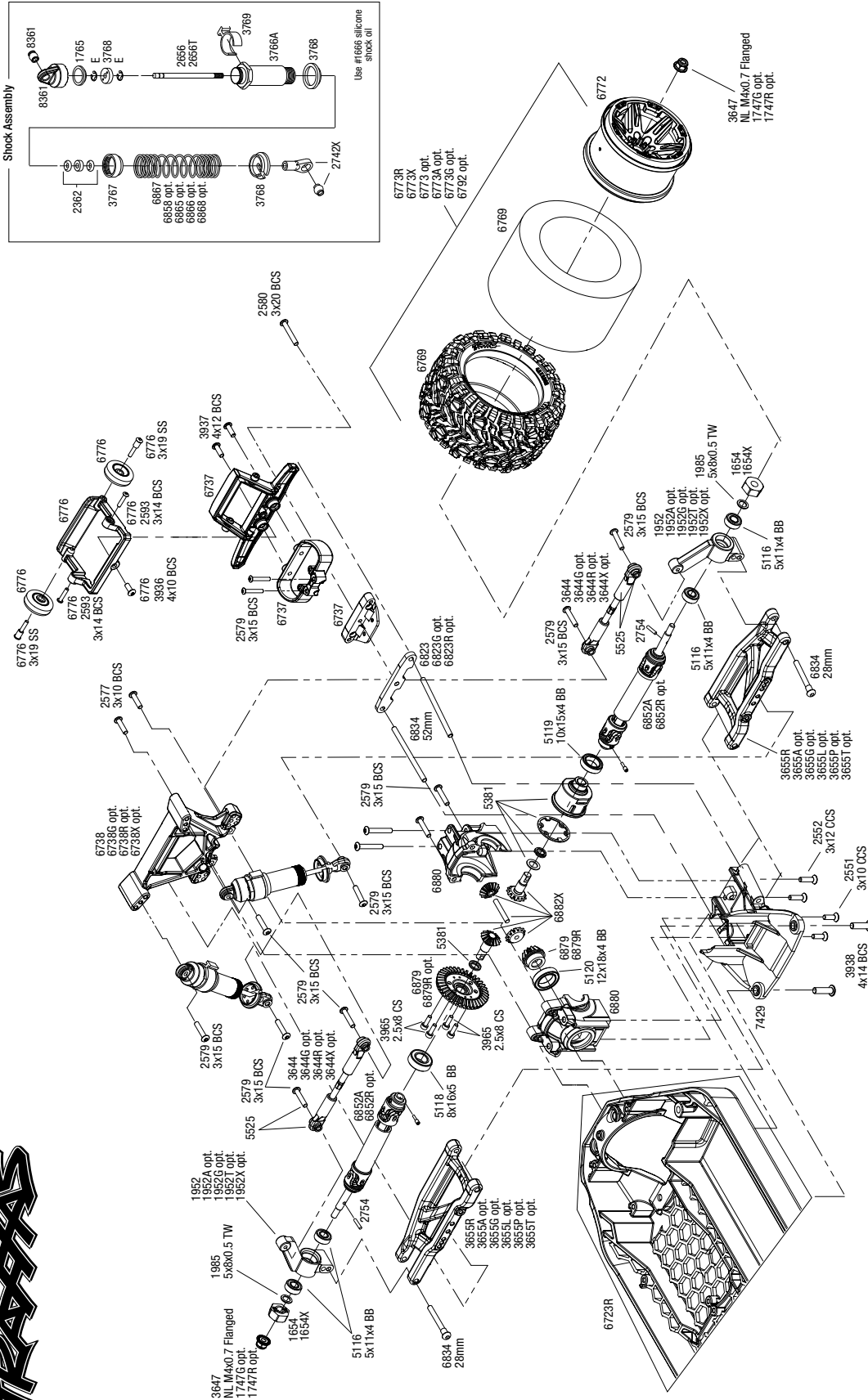


TQi 2.4GHz TRANSMITTER
COMPATIBLE WITH TRAXXAS
LINK WIRELESS MODULE

THE STADIUM TRUCK REDEFINED

The all-new Rustler® 4x4 VXL is a hard-charging wheelie machine that captures the speed and classic style of the number-one-selling Rustler and injects it with brutal 4-wheel drive performance, increased durability, and even more fun! Bury the throttle and the Rustler 4x4 launches its front wheels skyward as it shreds the ground underneath. Beneath the sleek clipless body, the heavy duty driveline delivers extreme Velineon® brushless horsepower. The larger Talon™ EXT wheels and tires provide versatility and grip for any terrain, from backyard trails to concrete skate parks. Rustler 4x4 VXL destroys convention to become the new performance and fun standard for 4x4 stadium trucks!





REV 200922-R17
 Specifications on this page are subject to change without notice. Every attempt has been made to ensure the accuracy of this drawing; however, Traxxas cannot be held responsible for typographical or other errors.

See Parts List for a complete listing of optional accessories.



Rear Assembly

Questions? Call toll-free, 1-888-TRAXXAS

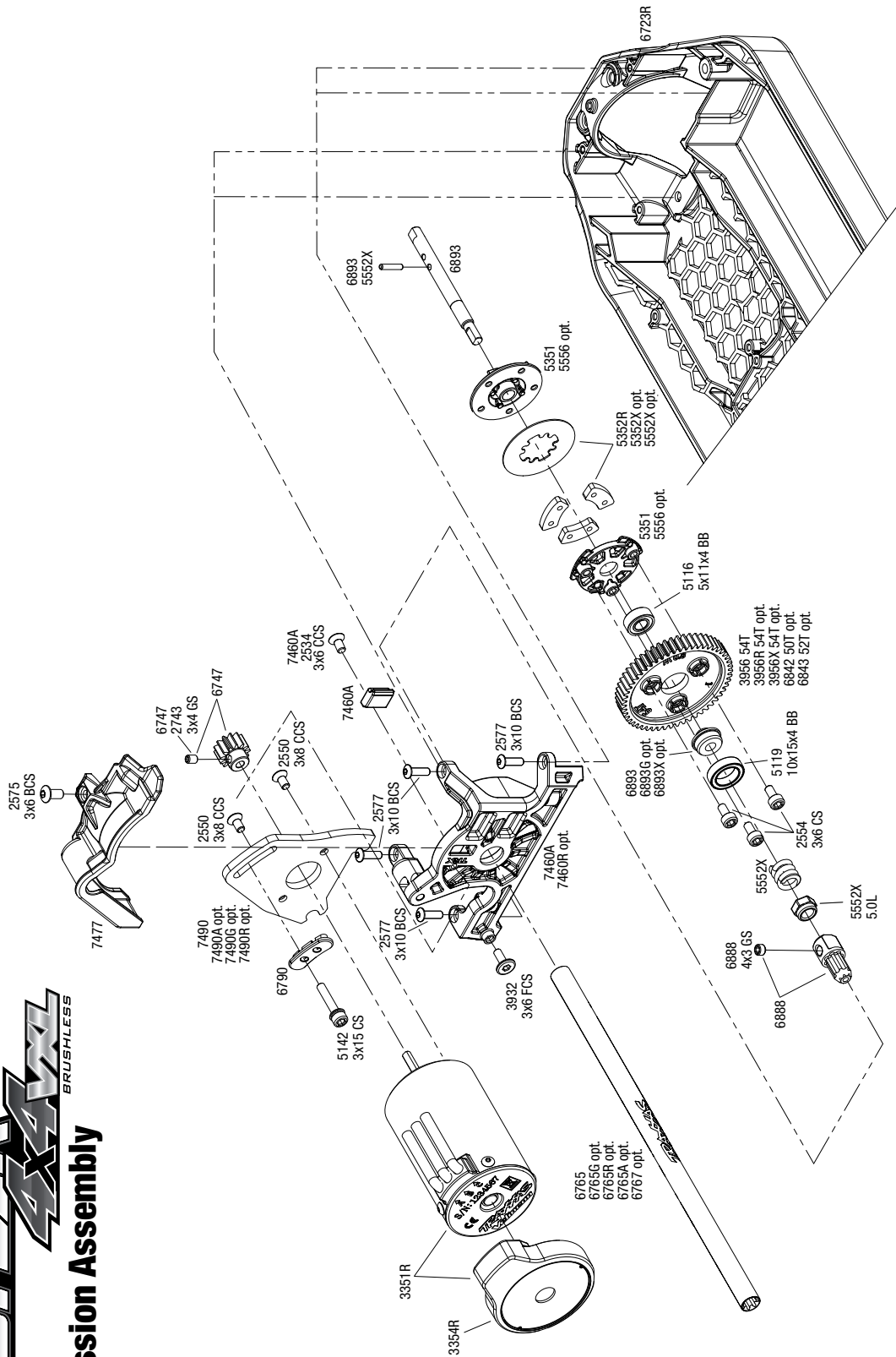
EXPLODED VIEWS

RUSTLER 4X4 VXL (67076-4)

EXPLODED VIEWS

RUSTLER 4X4 VXL BRUSHLESS Transmission Assembly

Questions? Call toll-free, 1-888-TRAXXAS



REV 20092-R17
Specifications on this page are subject to change without notice. Every attempt has been made to ensure the accuracy of this drawing; however, Traxxas cannot be held responsible for typographical or other errors.

See Parts List for a complete listing of optional accessories.

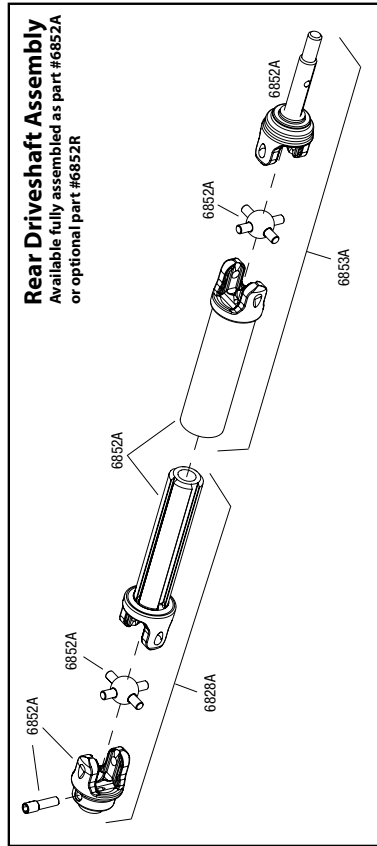
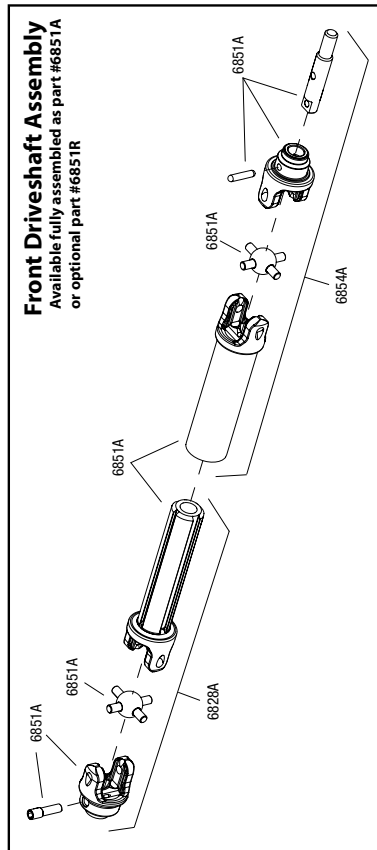


TRAXXAS

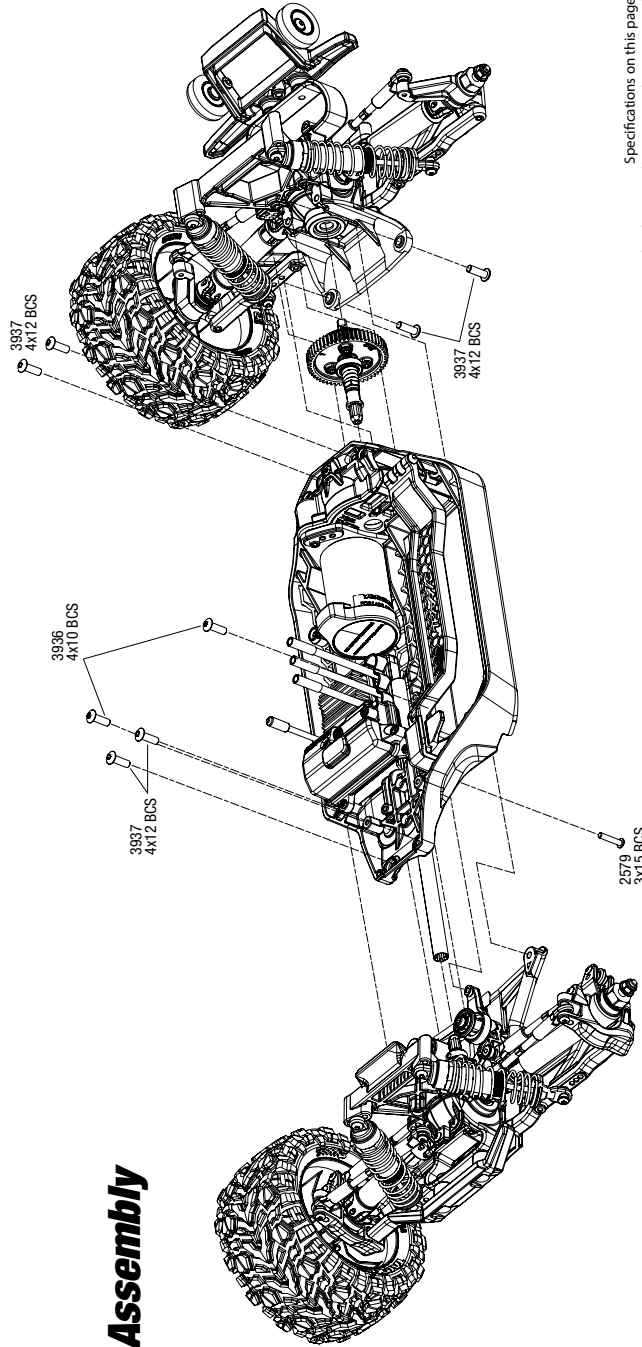
Driveshaft Assembly

RUSTLER 4x4x
BRUSHLESS

Driveshafts



Modular Assembly



Specifications on this page are subject to change without notice. Every attempt has been made to ensure the accuracy of this drawing, however Traxxas cannot be held responsible for typographical or other errors. See Parts List for a complete listing of optional accessories.

REV 200922-R17

Questions? Call toll-free, 1-888-TRAXXAS

EXPLODED VIEWS

PARTS SHOWN IN BOLD ARE OPTIONAL ACCESSORIES.

Part categories and individual part listings are arranged alphabetically.

Bearings & Bushings

4607	Ball bearings (5x11x4mm) (8)
4612	Ball bearings (10x15x4mm) (2)
2728	Ball bearings (5x8x2.5mm) (2)
5119A	Ball bearings, black rubber sealed (10x15x4mm) (2)
5119	Ball bearings, blue rubber sealed (10x15x4mm) (2)
5120	Ball bearings, blue rubber sealed (12x18x4mm) (2)
5116	Ball bearings, blue rubber sealed (5x11x4mm) (2)
5114	Ball bearings, blue rubber sealed (5x8x2.5mm) (2)
5117	Ball bearings, blue rubber sealed (6x12x4mm) (2)
5118	Ball bearings, blue rubber sealed (8x16x5mm) (2)
1985	PTFE-coated washers, 5x8x0.5mm (20) (use with ball bearings)

Body & Accessories

1926	Antenna caps, vinyl (2)/ antenna spool
1726	Antenna, tube (1)/ vinyl antenna cap (1)/ wire retainer (1)
6720	Body mounts, front & rear/ 3x12mm CS (4)/ 3x12mm shoulder screw (2)/ 3x10mm flat-head machine screw (8)/ 3x12mm BCS (1)
6710	Body reinforcement set (fits #6717 body)
6719	Body support/ 3x12mm CS (4)
6717	Body, Rustler® 4X4 (clear, requires painting)/ window, grille, lights decal sheet
6717G	Body, Rustler® 4X4 VXL, green/ window, grille, lights decal sheet (assembled with front & rear body mounts and rear body support for clipless mounting)
6717R	Body, Rustler® 4X4 VXL, red/ window, grille, lights decal sheet (assembled with front & rear body mounts and rear body support for clipless mounting)
6717X	Body, Rustler® 4X4, silver/ window, grille, lights decal sheet (assembled with front & rear body mounts and rear body support for clipless mounting)
2514	Decal sheet, racing sponsors
9950	Official Team Traxxas® racing decal set (flag logo/ 6-color)
6728X	Skid plate, roof (body) (blue)/ 3x12mm CS (4)
6728G	Skid plate, roof (body) (green)/ 3x12 CS (4)
6728T	Skid plate, roof (body) (orange)/ 3x12 CS (4)
6728R	Skid plate, roof (body) (red)/ 3x12mm CS (4)
6728A	Skid plate, roof (body) (white)/ 3x12 CS (4)
6728	Skid plate, roof (body)/ 3x12mm CS (4)
6721	Wing, Rustler® 4X4 (black)/ 3x8mm FCS (3)
6721X	Wing, Rustler® 4X4 (blue)/ 3x8 FCS (3)
6721G	Wing, Rustler® 4X4 (green)/ 3x8 FCS (3)
6721T	Wing, Rustler® 4X4 (orange)/ 3x8 FCS (3)
6721R	Wing, Rustler® 4X4 (red)/ 3x8 FCS (3)
6721A	Wing, Rustler® 4X4 (white)/ 3x8 FCS (3)

Center Driveline

5119A	Ball bearings, black rubber sealed (10x15x4mm) (2)
5119	Ball bearings, blue rubber sealed (10x15x4mm) (2)
5120	Ball bearings, blue rubber sealed (12x18x4mm) (2)
5116	Ball bearings, blue rubber sealed (5x11x4mm) (2)
5117	Ball bearings, blue rubber sealed (6x12x4mm) (2)
6893G	Bearing adapter, 6061-T6 aluminum (green-anodized) (1)/ 10x15x4mm ball bearing (black rubber sealed) (1) (for slipper shaft)
6893X	Bearing adapter, 6160-T6 aluminum (blue-anodized) (1)/ 10x15x4mm ball bearing (blue rubber sealed) (1) (for slipper shaft)
7477	Cover, gear/ wire retainer
6814	Differential kit, center (complete)
6888	Drive hub, center, rear (1)/ 4x3 GS (1)
6888X	Drive hub, front, hardened steel (1)/ screw pin (1)
6883	Gear set, center differential (output gears (2)/ spider gears (2)/ spider gear shaft)
5148	Grease, white lithium
6884	Housing, center differential/ x-ring gaskets (2)/ ring gear gasket/ bushings (2)/ 5x10x0.5 TW (2)/ CCS 2.5x8 (4)
6893	Input shaft (slipper shaft)/ bearing adapter (1)/ pin (1)
7460A	Motor mount (assembled with 3x6 flat-head machine screw)/ 3.0mm NL (1)
7460R	Motor mount, 6061-T6 aluminum (blue-anodized)
7490	Plate, motor
7490G	Plate, motor, green
7490A	Plate, motor, orange
7490R	Plate, motor, red

5352R	Rebuild kit (heavy duty), slipper clutch (steel disc/ aluminum friction pads (3)/ spring (1)/ 2x9.8mm pin/ 5x8mm MW/ 5.0mm NL (1)/ 4.0mm NL (1))
5352X	Rebuild kit, slipper clutch (steel disc/ friction pads (3)/ spring (2)/ 2x9.8mm pin/ 5x8mm MW/ 5.0mm NL (1)/ 4.0mm NL (1))
5552X	Rebuild kit, slipper clutch (steel disc/ friction pads (3)/ spring (2)/ pin/ 4.0mm NL (1)/ 5.0mm NL (1))
2575	Screws, 3x6mm button-head machine (hex drive) (6)
2554	Screws, 3x6mm cap-head machine (hex drive) (6)
3932	Screws, 3x6mm flat-head machine (hex drive) (6)
1647	Silicone grease
6878	Slipper clutch, complete
5556	Slipper pressure plate & hub (aluminum alloy)
5351	Slipper pressure plate and hub (alloy)

Chassis & Attachments

6726X	Battery hold-down (3)/ battery clip/ hold-down post/ screw pin/ pivot post screw
6724	Box, receiver (sealed)/ foam pad/ 2.5x8mm CS (4)/ 3x10mm CS (2)
6736	Bumper, front/ bumper support
6737	Bumper, rear/ bumper mount, rear
6723R	Chassis (162mm long battery compartment) (fits flat style battery packs) (use only with #7430R front bulkhead & #6726X battery hold-down)
6730X	Chassis brace kit, blue (fits Rustler® 4X4 or Slash 4X4 models equipped with Low-CG chassis)
6730G	Chassis brace kit, green (fits Rustler® 4X4 or Slash 4X4 models equipped with Low-CG chassis)
6730A	Chassis brace kit, orange (fits Rustler® 4X4 or Slash 4X4 models equipped with Low-CG chassis)
6730R	Chassis brace kit, red (fits Rustler® 4X4 or Slash 4X4 models equipped with Low-CG chassis)
6725	Hold down, battery (for use with 30mm height and shorter battery packs)
6776	Wheelie bar

Differential Components

5119	Ball bearings, blue rubber sealed (10x15x4mm) (2)
5117	Ball bearings, blue rubber sealed (6x12x4mm) (2)
5118	Ball bearings, blue rubber sealed (8x16x5mm) (2)
5381	Carrier, differential/ x-ring gaskets (2)/ ring gear gasket/ 6x10x0.5 TW
6780	Differential kit, center (complete)
5136X	Differential oil kit (1 each: 10K, 30K, 50K weights)
6783	Gear set, center differential (output gears (2)/ spider gears (4)/ spider gear shaft (2))
6882X	Gear set, differential (output gears (2)/ spider gears (2)/ spider gear shaft, carrier support)
6781	Housing, center differential (aluminum)/ x-ring gaskets (2)/ ring gear gasket/ bushings (2)/ 5x10x0.5mm PTFE-coated washers (2)/ 2.5x8 CCS (4)
6881	Housings, differential, front
6880	Housings, differential, rear
6782	Output gears, center differential, hardened steel (2)
5379X	Ring gear, differential/ pinion gear, differential
5379R	Ring gear, differential/ pinion gear, differential (machined, spiral cut) (front)
6879R	Ring gear, differential/ pinion gear, differential (machined, spiral cut) (rear)
6879	Ring gear, differential/ pinion gear, differential (rear)
3965	Screws, 2.5x8mm cap-head machine (6)
1647	Silicone grease

Driveline Components

5119A	Ball bearings, black rubber sealed (10x15x4mm) (2)
5119	Ball bearings, blue rubber sealed (10x15x4mm) (2)
5116	Ball bearings, blue rubber sealed (5x11x4mm) (2)
9059X	Cross pin (2)/ drive pin (2) (repairs 2 axle shafts)
6758	Differential output shaft (for steel constant-velocity driveshafts) (2)
9057X	Differential output shafts, steel-splined constant-velocity (2)
6828A	Differential output yoke assembly, extreme heavy duty (2) (left or right, front or rear) (assembled with external-splined half shaft)
6851A	Driveshaft assembly, front, extreme heavy duty (1) (left or right) (fully assembled, ready to install)/ screw pin (1)
6852A	Driveshaft assembly, rear, extreme heavy duty (1) (left or right) (fully assembled, ready to install)/ screw pin (1)
6765	Driveshaft, center, 6061-T6 aluminum (blue-anodized) (189mm)
6765G	Driveshaft, center, 6061-T6 aluminum (green-anodized) (189mm)

RUSTLER 4X4 VXL (67076-4)

6765A	Driveshaft, center, 6061-T6 aluminum (orange-anodized) (189mm)
6765R	Driveshaft, center, 6061-T6 aluminum (red-anodized) (189mm)
6767	Driveshaft, center, plastic, (black)/ screw pin
6851R	Driveshafts, front, steel-spline constant-velocity (complete assembly) (2)
9051X	Driveshafts, front, steel-spline constant-velocity (complete assembly) (2)
6852R	Driveshafts, rear, steel-spline constant-velocity (complete assembly) (2)
9052X	Driveshafts, rear, steel-spline constant-velocity (complete assembly) (2)
9055X	Half shaft, external splined (steel-spline constant velocity) (1)
6750	Half shaft, external splined (steel-spline constant-velocity) (1)
9056X	Half shaft, internal splined (steel-spline constant velocity) (1)
6751	Half shaft, internal splined (steel-spline constant-velocity) (1)
6757	Rebuild kit, steel-splined constant-velocity driveshafts (includes pins, dustboots, lube, and hardware)
9058X	Rebuild kit, steel-splined constant-velocity driveshafts (includes pins, lube, and hardware for two axle shafts)
6854A	Stub axle assembly, front, outer, extreme heavy duty (1) (left or right) (assembled with internal-splined half shaft)
6853A	Stub axle assembly, rear, outer, extreme heavy duty (1) (left or right) (assembled with internal-splined half shaft)
6754	Stub axle, front, 5mm (steel-splined constant-velocity driveshaft) (1)
9054X	Stub axle, front, steel-splined constant velocity (1)
6753	Stub axle, rear, 5mm (steel-splined constant-velocity driveshaft) (1)
9053X	Stub axle, rear, steel-splined constant velocity (1)

Front Suspension & Steering

2728	Ball bearings (5x8x2.5mm) (2)
5114	Ball bearings, blue rubber sealed (5x8x2.5mm) (2)
6823	Bulkhead tie bars, front & rear, aluminum (blue-anodized)
7430R	Bulkhead, front (for use only with #6723R chassis)
3643X	Camber links, front (TUBES blue-anodized, 7075-T6 aluminum, stronger than titanium) (83mm) (2)/ rod ends (4)/ aluminum wrench (1) (#2579 3x15 BCS (4) required for installation)
3643G	Camber links, front (TUBES green-anodized, 7075-T6 aluminum, stronger than titanium) (83mm) (2)/ rod ends (4)/ aluminum wrench (1) (#2579 3x15 BCS (4) required for installation)
3643R	Camber links, front (TUBES red-anodized, 7075-T6 aluminum, stronger than titanium) (83mm) (2)/ rod ends (4)/ aluminum wrench (1) (#2579 3x15 BCS (4) required for installation)
6832X	Caster blocks (c-hubs), 6061-T6 aluminum (blue-anodized), left & right
6832G	Caster blocks (c-hubs), 6061-T6 aluminum (green-anodized), left & right
6832A	Caster blocks (c-hubs), 6061-T6 aluminum (orange-anodized), left & right
6832R	Caster blocks (c-hubs), 6061-T6 aluminum (red-anodized), left & right
6832	Caster blocks (c-hubs), left & right
6845A	Drag link, machined 6061-T6 aluminum (blue-anodized)
6845G	Drag link, machined 6061-T6 aluminum (green-anodized)
6845T	Drag link, machined 6061-T6 aluminum (orange-anodized)
6845R	Drag link, machined 6061-T6 aluminum (red-anodized)
6851A	Driveshaft assembly, front, extreme heavy duty (1) (left or right) (fully assembled, ready to install)/ screw pin (1)
6851R	Driveshafts, front, steel-spline constant-velocity (complete assembly) (2)
7438	Linkage, steering
6739	Shock tower, front
6739X	Shock tower, front, 7075-T6 aluminum (blue-anodized) (1)/ body mount bracket (1)
6739G	Shock tower, front, 7075-T6 aluminum (green-anodized) (1)/ body mount bracket (1)
6739R	Shock tower, front, 7075-T6 aluminum (red-anodized) (1)/ body mount bracket (1)
6845X	Steering bellcranks/ servo saver/ servo saver spring/ servo spring retainer/servo horn, steering
6837X	Steering blocks, 6061-T6 aluminum (blue-anodized), left & right
6837	Steering blocks, left & right
6854A	Stub axle assembly, front, outer, extreme heavy duty (1) (left or right) (assembled with internal-splined half shaft)
6754	Stub axle, front, 5mm (steel-splined constant-velocity driveshaft) (1)
3655P	Suspension arms, blue, front/rear (left & right), heavy duty (2)
3655R	Suspension arms, front/rear (left & right), heavy duty (2)
3655G	Suspension arms, green, front/rear (left & right), heavy duty (2)
3655T	Suspension arms, orange, front/rear (left & right), heavy duty (2)
3655L	Suspension arms, red, front/rear (left & right), heavy duty (2)

3655A	Suspension arms, white, front/rear (left & right), heavy duty (2)
6834	Suspension pin set, complete (front and rear)
6898	Sway bar kit (front and rear) (includes front and rear sway bars and adjustable linkage)
3643	Turnbuckles, camber link, 49mm (82mm center to center) (assembled with rod ends and hollow balls) (1 left, 1 right)
5539	Turnbuckles, camber links, 58mm (assembled with rod ends and hollow balls) (2)

Hardware

1926	Antenna caps, vinyl (2)/ antenna spool
1726	Antenna, tube (1)/ vinyl antenna cap (1)/ wire retainer (1)
1552	Screws, 3x8mm cap-head machine (hex drive) (6)/washers (6)/ wrench
3935	Body clip (mounting clip), angled, 90-degrees (10)
3935A	Body clip (mounting clip), angled, 90-degrees (black) (10)
3934	Body clips, heavy duty (12)
1589	Double-sided adhesive tape (25mm x 25mm) (2)
2586	Screws, 3x15mm cap-head machine (hex drive) (6)
2745	Nuts, 3mm nylon locking (12)
3647	Nuts, 4mm flanged nylon locking (steel, serrated) (8)
1747	Nuts, 4mm nylon locking (10)
1747A	Nuts, aluminum, flanged, serrated (4mm) (red-anodized) (4)
1985	PTFE-coated washers, 5x8x0.5mm (20) (use with ball bearings)
5525	Rod ends (12)/ hollow balls (12)
2742X	Rod ends, short (6)/ hollow balls (6)
3347	Screws, 2.5x5mm button-head machine (hex drive) (6)
3215	Screws, 2.5x6mm cap-head machine (hex drive) (6)
3965	Screws, 2.5x8mm cap-head machine (6)
2577	Screws, 3x10mm button-head machine (hex drive) (6)
2578	Screws, 3x12mm button-head machine (hex drive) (6)
2552	Screws, 3x12mm countersunk machine (6) (hex drive)
2579	Screws, 3x15mm button-head machine (hex drive) (6)
3646	Screws, 3x15mm flat-head machine (hex drive) (6)
2583	Screws, 3x18mm button-head machine (hex drive) (6)
2580	Screws, 3x20mm button-head machine (hex drive) (6)
2591	Screws, 3x23mm button-head machine (hex drive) (6)
2582	Screws, 3x30mm button-head machine (hex drive) (6)
2592	Screws, 3x40mm button-head machine (hex drive) (6)
2575	Screws, 3x6mm button-head machine (hex drive) (6)
2534	Screws, 3x6mm countersunk machine (6) (hex drive)
3932	Screws, 3x6mm flat-head machine (hex drive) (6)
2576	Screws, 3x8mm button-head machine (hex drive) (6)
3931	Screws, 3x8mm flat-head machine (hex drive) (6)
3936	Screws, 4x10mm button-head machine (hex drive) (6)
3937	Screws, 4x12mm button-head machine (hex drive) (6)
2542	Screws, 4x12mm countersunk machine (hex drive) (6)
3938	Screws, 4x14mm button-head machine (hex drive) (6)
2546	Screws, 4x15mm countersunk machine (hex drive) (6)
2743	Set (grub) screws, 3mm hardened (12)
3642X	Shoulder screws, Ultra Shocks (3x12 hex drive) (6)
2754	Stub axle pins (4)
2748X	Tool Set (1.5mm & 2.5mm allen/ 4-way lug, 8mm & 4mm wrench & U-joint wrenches)
2746	Washers, 3x6mm metal (12)

Motors & Electronics

1726	Antenna, tube (1)/ vinyl antenna cap (1)/ wire retainer (1)
2260	BEC assembly (complete)
3340	Cooling fan, Velineon® VXL-3s ESC
6790	Gear adapter, fixed, Rustler® 4X4
2072A	Gear set (for 2070, 2075 servos)
2072X	Gear set, metal (for 2070, 2075 servos)
2252	Gear set, metal (for 2250, 2255 servos)
2072R	Gear set, metal, high speed (for 2070, 2075 servos)
3354R	Motor cover, endbell (Velineon® 3500)
7460A	Motor mount (assembled with 3x6 flat-head machine screw)/ 3.0mm NL (1)
7460R	Motor mount, 6061-T6 aluminum (blue-anodized)
3351R	Motor, Velineon® 3500, brushless (assembled with 12-gauge wire and gold-plated bullet connectors)
7490	Plate, motor
7490G	Plate, motor, green
7490A	Plate, motor, orange
7490R	Plate, motor, red
3352R	Rebuild kit, Velineon® 3500 (includes plastic endbell, 5x11x4mm ball bearings (2), 2.5x5mm BCS (with threadlock) (4), rear bushing)
3347	Screws, 2.5x5mm button-head machine (hex drive) (6)
3932	Screws, 3x6mm flat-head machine (hex drive) (6)
2254	Servo case, aluminum (blue-anodized) (middle) (for 2250 servo)
2253	Servo case, aluminum (red-anodized) (middle) (for 2255 servo)

- 2251 Servo case, plastic (top, middle, bottom)/ gaskets/ hardware (for 2250, 2255 servos)
 2074 Servo case/gaskets (for 2056 and 2075 waterproof servos)
 2075R Servo, digital high-speed, metal gear (ball bearing), waterproof
 2075 Servo, digital high-torque (ball bearing), waterproof
 2250 Servo, digital high-torque 330 coreless, metal gear (ball bearing), waterproof
 2255 Servo, digital high-torque 400 brushless, metal gear (ball bearing), waterproof
 2075X Servo, digital high-torque, metal gear (ball bearing), waterproof
 3350R Velineon® VXL-3s Brushless Power System, waterproof (includes VXL-3s waterproof ESC, Velineon 3500 motor, and speed control mounting plate (part #3725R))
 3355R Velineon® VXL-3s Electronic Speed Control, waterproof (brushless) (fwd/rev/brake)

Radio System, Batteries & Chargers

- 2849X 4000mAh 11.1v 3-Cell 25C LiPo Battery
 2872X 5000mAh 11.1v 3-Cell 25C LiPo Battery
 2842X 5000mAh 7.4v 2-Cell 25C LiPo Battery
 2843X 5800mAh 7.4v 2-Cell 25C LiPo Battery
 2857X 6400mAh 11.1v 3-Cell 25C LiPo Battery
 2869X 7600mAh 7.4v 2-Cell 25C LiPo Battery
 2976 AC to DC converter, 40W
 2938X Adapter, Traxxas® iD® LiPo battery (adapts Traxxas iD batteries to separate balance ports)
 2943 Battery charge indicators (green (4), blue (4), grey (4))
 6548 Battery door, transmitter (replacement for #6516, 6517, 6528, 6529, 6530 transmitters)
 2914 Battery, Power Cell AA Alkaline (4)
 2923X Battery, Power Cell, 3000mAh (NiMH, 7-C flat, 8.4V)
 2926X Battery, Power Cell, 3000mAh (NiMH, 7-C hump, 8.4V)
 2940X Battery, Series 3 Power Cell, 3300mAh (NiMH, 7-C flat, 8.4V)
 2941X Battery, Series 3 Power Cell, 3300mAh (NiMH, 7-C hump, 8.4V)
 2950X Battery, Series 4 Power Cell, 4200mAh (NiMH, 7-C flat, 8.4V)
 2951X Battery, Series 4 Power Cell, 4200mAh (NiMH, 7-C hump, 8.4V)
 2960X Battery, Series 5 Power Cell, 5000mAh (NiMH, 7-C flat, 8.4V)
 2961X Battery, Series 5 Power Cell, 5000mAh (NiMH, 7-C hump, 8.4V)
 2983 Battery/charger completer pack (includes #2969 2-amp NiMH peak detecting AC charger (1), #2923X 3000mAh 8.4V 7-cell NiMH battery (1))
 2992 Battery/charger completer pack (includes #2970 iD® charger (1), #2843X 5800mAh 7.4V 2-cell 25C LiPo battery (1))
 2994 Battery/charger completer pack (includes #2970 iD® charger (1), #2849X 4000mAh 11.1v 3-Cell 25C LiPo Battery (1))
 2260 BEC assembly (complete)
 2975 Charger, DC, 4 amp (6 - 7 cell, 7.2 - 8.4 volt, NiMH)
 2972 Charger, EZ-Peak® Dual, 100W, NiMH/LiPo with iD® Auto Battery Identification
 2973 Charger, EZ-Peak® Live Dual, 200W, NiMH/LiPo with iD® Auto Battery Identification
 2971 Charger, EZ-Peak® Live, 100W, NiMH/LiPo with iD® Auto Battery Identification
 2970 Charger, EZ-Peak® Plus, 4 amp, NiMH/LiPo with iD® Auto Battery Identification
 6525 Communication link, telemetry expander
 6541 Connector, power tap (with cable) (long)/ wire tie
 2978 Fuse, charger, 5A (2) (for #2974, 2975, 2977)
 2072A Gear set (for 2070, 2075 servos)
 2072X Gear set, metal (for 2070, 2075 servos)
 2252 Gear set, metal (for 2250, 2255 servos)
 2072R Gear set, metal, high speed (for 2070, 2075 servos)
 2968X LiPo cell voltage checker/balancer (includes #2938X adapter for Traxxas® iD® batteries)
 2968 LiPo cell voltage checker/balancer (requires #2938X adapter for Traxxas® iD® batteries)
 6535 Mount, temperature sensor (electric motors)/ wire tie/ thermal pad
 6533 Receiver, micro, TQi 2.4GHz with telemetry & TSM (5-channel)
 3932 Screws, 3x6mm flat-head machine (hex drive) (6)
 6552 Seal kit, expander box (includes o-ring, seals, and silicone grease)
 6526 Sensor, auto-detectable, temperature
 6527 Sensor, auto-detectable, voltage
 6520 Sensor, RPM (long)/ 3x4mm BCS (2)/ 3x4 GS (1)
 6521 Sensor, temperature and voltage (long)
 2254 Servo case, aluminum (blue-anodized) (middle) (for 2250 servo)
 2253 Servo case, aluminum (red-anodized) (middle) (for 2255 servo)
 2251 Servo case, plastic (top, middle, bottom)/ gaskets/ hardware (for 2250, 2255 servos)
 2074 Servo case/gaskets (for 2056 and 2075 waterproof servos)
 2075R Servo, digital high-speed, metal gear (ball bearing), waterproof
 2075 Servo, digital high-torque (ball bearing), waterproof

- 2250 Servo, digital high-torque 330 coreless, metal gear (ball bearing), waterproof
 2255 Servo, digital high-torque 400 brushless, metal gear (ball bearing), waterproof
 2075X Servo, digital high-torque, metal gear (ball bearing), waterproof
 6553X Telemetry expander 2.0 and GPS module 2.0, TQi radio system
 6550X Telemetry expander 2.0, TQi radio system (for use only with #6551X GPS module)
 6551X Telemetry GPS module 2.0, TQi radio system (for use only with #6550X telemetry expander)
 6538 Telemetry trigger magnet holders, spur gear/ magnet, 5x2mm (1)/ 3x8mm CCS (3)/ 3x10mm CCS (3)
 6540 Telemetry trigger magnet, 5X2mm (1)
 6509R TQi 2.4 GHz High Output radio system, 2-channel, Traxxas Link™ enabled, TSM (2-ch transmitter, 5-ch micro receiver)
 6507R TQi 2.4 GHz High Output radio system, 4-channel with Traxxas Link™ Wireless Module, TSM (4-ch transmitter, 5-ch micro receiver)
 6528 Transmitter, TQi Traxxas Link™ enabled, 2.4GHz high output, 2-channel (transmitter only)
 6529 Transmitter, TQi Traxxas Link™ enabled, 2.4GHz high output, 3-channel (transmitter only)
 6530 Transmitter, TQi Traxxas Link™ enabled, 2.4GHz high output, 4-channel (transmitter only)
 6511 Traxxas Link™ Wireless Module
 3355R Velineon® VXL-3s Electronic Speed Control, waterproof (brushless) (fwd/rev/brake)

Ready-To-Race Model

- 67076-4 Rustler® 4X4 VXL: 1/10 Scale Stadium Truck with TQi Traxxas Link™ Enabled 2.4GHz Radio System & Traxxas Stability Management (TSM)®

Rear Suspension

- 6823 Bulkhead tie bars, front & rear, aluminum (blue-anodized)
 7429 Bulkhead, rear
 3644X Camber links, rear (TUBES blue-anodized, 7075-T6 aluminum, stronger than titanium) (73mm) (2)/ rod ends (4)/ aluminum wrench (1) (#2579 3x15 BCS (4) required for installation)
 3644G Camber links, rear (TUBES green-anodized 7075-T6 aluminum, stronger than titanium) (73mm) (2)/ rod ends (4)/ aluminum wrench (1) (#2579 3x15 BCS (4) required for installation)
 3644R Camber links, rear (TUBES red-anodized, 7075-T6 aluminum, stronger than titanium) (73mm) (2)/ rod ends (4)/ aluminum wrench (1) (#2579 3x15 BCS (4) required for installation)
 1952X Carriers, stub axle (blue-anodized 6061-T6 aluminum) (rear) (2)
 1952G Carriers, stub axle (green-anodized 6061-T6 aluminum) (rear) (2)
 1952T Carriers, stub axle (orange-anodized 6061-T6 aluminum) (rear) (2)
 1952 Carriers, stub axle (rear) (2)
 1952A Carriers, stub axle (red-anodized 6061-T6 aluminum) (rear) (2)
 6852A Driveshaft assembly, rear, extreme heavy duty (1) (left or right) (fully assembled, ready to install)/ screw pin (1)
 6852R Driveshafts, rear, steel-spline constant-velocity (complete assembly) (2)
 6738 Shock tower, rear
 6738X Shock tower, rear, 7075-T6 aluminum (blue-anodized) (1)/ body mount bracket (1)
 6738G Shock tower, rear, 7075-T6 aluminum (green-anodized) (1)/ body mount bracket (1)
 6738R Shock tower, rear, 7075-T6 aluminum (red-anodized) (1)/ body mount bracket (1)
 6853A Stub axle assembly, rear, outer, extreme heavy duty (1) (left or right) (assembled with internal-splined half shaft)
 3655P Suspension arms, blue, front/rear (left & right), heavy duty (2)
 3655R Suspension arms, front/rear (left & right), heavy duty (2)
 3655G Suspension arms, green, front/rear (left & right), heavy duty (2)
 3655T Suspension arms, orange, front/rear (left & right), heavy duty (2)
 3655L Suspension arms, red, front/rear (left & right), heavy duty (2)
 3655A Suspension arms, white, front/rear (left & right), heavy duty (2)
 6834 Suspension pin set, complete (front and rear)
 6898 Sway bar kit (front and rear) (includes front and rear sway bars and adjustable linkage)
 3644 Turnbuckles, camber link, 39mm (69mm center to center) (assembled with rod ends and hollow balls) (1 left, 1 right) (fits front & rear on Slash, rear on Slash 4X4)

Shocks (GTR)

- 7466X Body, GTR long (hard-anodized, PTFE-coated aluminum) (1)
 7466 Body, GTR long shock, aluminum (blue-anodized) (PTFE-coated bodies) (1)
 7466G Body, GTR long shock, aluminum (green-anodized) (PTFE-coated bodies) (1)

RUSTLER 4X4 VXL (67076-4)

7466A	Body, GTR long shock, aluminum (orange-anodized) (PTFE-coated bodies) (1)	1942	Rod ends (16 long & 4 short)/ hollow ball connectors (18)/ ball screws (2)
7467X	Body, GTR xx-long (hard-anodized, PTFE-coated aluminum) (1)	2742X	Rod ends, short (6)/ hollow balls (6)
7467	Body, GTR xx-long shock, aluminum (blue-anodized) (PTFE-coated bodies) (1)	3767	Shock caps (2)/ shock bottoms (2)
7467G	Body, GTR xx-long shock, aluminum (green-anodized) (PTFE-coated bodies) (1)	8361	Shock caps (black) (4) (assembled with hollow balls)
7467A	Body, GTR xx-long shock, aluminum (orange-anodized) (PTFE-coated bodies) (1)	3767A	Shock caps, aluminum (blue-anodized) (4) (fits all Ultra Shocks)
7468	Caps and spring retainers, GTR long/xx-long shock (upper cap (2)/ hollow balls (4)/ bottom cap (2)/ upper retainer (2)/ lower retainer (2))	3767G	Shock caps, aluminum (green-anodized) (4) (fits all Ultra Shocks)
7463	Rebuild kit, GTR long/xx-long shocks (x-rings, bladders, pistons, piston nuts, shock rod ends, hollow balls) (renews 2 shocks)	3767P	Shock caps, aluminum (pink-anodized) (4) (fits all Ultra Shocks)
5469	Rod ends (GTR shocks) (6)	3767X	Shock caps, aluminum (red-anodized) (4) (fits all Ultra Shocks)
7464T	Shaft, GTR long, TiN-coated (2)	1664T	Shock shafts, hardened steel, titanium nitride coated (long) (2)
7465T	Shaft, GTR xx-long, TiN-coated (2)	2656T	Shock shafts, hardened steel, titanium nitride coated (xx-long) (2)
7461	Shocks, GTR long blue-anodized, PTFE-coated bodies with TiN shafts (fully assembled, without springs) (2)	1664	Shock shafts, steel, chrome finish (long) (2)
7461G	Shocks, GTR long green-anodized, PTFE-coated bodies with TiN shafts (fully assembled, without springs) (2)	2656	Shock shafts, steel, chrome finish (xx-long) (2)
7461X	Shocks, GTR long hard-anodized, PTFE-coated bodies with TiN shafts (assembled) (2) (without springs)	1765	Silicone diaphragms (4)
7462	Shocks, GTR xx-long blue-anodized, PTFE-coated bodies with TiN shafts (fully assembled, without springs) (2)	1666	Silicone shock oil (30 wt)
7462G	Shocks, GTR xx-long green-anodized, PTFE-coated bodies with TiN shafts (fully assembled, without springs) (2)	3769	Spring pre-load spacers: 1mm (4)/ 2mm (2)/ 4mm (2)/ 8mm (2)
7462X	Shocks, GTR xx-long hard-anodized, PTFE-coated bodies with TiN shafts (assembled) (2) (without springs)	3768	Spring retainers, upper & lower (2)/ piston head set (2-hole (2)/ 3-hole (2))
7440	Spring, shock, white (GTR long) (0.623 rate orange) (1 pair)	6863	Springs, front (progressive, +10% rate, pink) (2)
7441	Spring, shock, white (GTR long) (0.653 rate green) (1 pair)	6864	Springs, front (progressive, +20% rate, blue) (2)
7444	Spring, shock, white (GTR long) (0.767 rate black) (1 pair)	6862	Springs, front (progressive, -10% rate, green) (2)
7445	Spring, shock, white (GTR long) (0.810 rate pink) (1 pair)	6861	Springs, front (progressive, -20% rate, orange) (2)
7448	Spring, shock, white (GTR long) (0.892 rate blue) (1 pair)	6857	Springs, front (white) (progressive rate) (2)
7442	Spring, shock, white (GTR xx-long) (0.711 rate orange) (1 pair)	6867	Springs, rear (progressive, +10% rate, pink) (2)
7443	Spring, shock, white (GTR xx-long) (0.762 rate green) (1 pair)	6868	Springs, rear (progressive, +20% rate, blue) (2)
7446	Spring, shock, white (GTR xx-long) (0.874 rate black) (1 pair)	6866	Springs, rear (progressive, -10% rate, green) (2)
7447	Spring, shock, white (GTR xx-long) (0.884 rate pink) (1 pair)	6865	Springs, rear (progressive, -20% rate, orange) (2)
7449	Spring, shock, white (GTR xx-long) (1.004 rate blue) (1 pair)	6858	Springs, rear (white) (progressive rate) (2)

Shocks (Pro-level Aluminum)

2664	Big Bore shock cylinder (long) (1)
2666	Big Bore shock cylinder (XX-long) (1)
5862	Big Bore shocks (hard-anodized & PTFE-coated T6 aluminum) (assembled with TiN shafts and springs) (front & rear) (4)
2660	Big Bore shocks (long) (hard-anodized & PTFE-coated T6 aluminum) (assembled with TiN shafts) w/o springs (front) (2)
2662	Big Bore shocks (XX-long) (hard-anodized & PTFE-coated T6 aluminum) (assembled with TiN shafts) w/o springs (rear) (2)
2669	Piston head set (2-hole (2)/ 3-hole (2))/ shock mounting bushings & washers (2) (Big Bore Shocks)
2362	Rebuild kit, Ultra shocks (for 2 shocks)
1942	Rod ends (16 long & 4 short)/ hollow ball connectors (18)/ ball screws (2)
2742X	Rod ends, short (6)/ hollow balls (6)
2667	Shock caps, aluminum (Big Bore Shocks) (2)
1664T	Shock shafts, hardened steel, titanium nitride coated (long) (2)
2656T	Shock shafts, hardened steel, titanium nitride coated (xx-long) (2)
1664	Shock shafts, steel, chrome finish (long) (2)
2656	Shock shafts, steel, chrome finish (xx-long) (2)
1765	Silicone diaphragms (4)
1666	Silicone shock oil (30 wt)
2668	Spring retainers, upper & lower (2)/ spring pre-load spacers: 1mm (4)/ 1.5mm (2)/ 2mm (2)/ 4mm (2)/ 8mm (2) (Big Bore Shocks)
6863	Springs, front (progressive, +10% rate, pink) (2)
6864	Springs, front (progressive, +20% rate, blue) (2)
6862	Springs, front (progressive, -10% rate, green) (2)
6861	Springs, front (progressive, -20% rate, orange) (2)
6857	Springs, front (white) (progressive rate) (2)
6867	Springs, rear (progressive, +10% rate, pink) (2)
6868	Springs, rear (progressive, +20% rate, blue) (2)
6866	Springs, rear (progressive, -10% rate, green) (2)
6865	Springs, rear (progressive, -20% rate, orange) (2)
6858	Springs, rear (white) (progressive rate) (2)

Shocks (Ultra Shocks)

3642	Attachment screws, shock (3x12mm shoulder screws) (6)
3765A	Body, Ultra Shock(s) (long) (grey) (2)
3766A	Body, Ultra Shock(s) (XXL) (grey) (2)
5475	Multi-tool (plastic)
2362	Rebuild kit, Ultra shocks (for 2 shocks)

3762	Ultra Shocks (black) (long) (complete w/ spring pre-load spacers & springs) (front) (2)
3762	Ultra Shocks (black) (xx-long) (complete w/ spring pre-load spacers & springs) (rear) (2)
3760A	Ultra Shocks (grey) (long) (complete w/ spring pre-load spacers & springs) (2)
3762A	Ultra Shocks (grey) (xx-long) (complete w/ spring pre-load spacers & springs) (rear) (2)

Slipper Clutch Components

5119A	Ball bearings, black rubber sealed (10x15x4mm) (2)
6893G	Bearing adapter, 6061-T6 aluminum (green-anodized) (1)/ 10x15x4mm ball bearing (black rubber sealed) (1) (for slipper shaft)
6893X	Bearing adapter, 6160-T6 aluminum (blue-anodized) (1)/ 10x15x4mm ball bearing (blue rubber sealed) (1) (for slipper shaft)
6888	Drive hub, center, rear (1)/ 4x3 GS (1)
6888X	Drive hub, front, hardened steel (1)/ screw pin (1)
6883	Gear set, center differential (output gears (2)/ spider gears (2)/ spider gear shaft)
6884	Housing, center differential/ x-ring gaskets (2)/ ring gear gasket/ bushings (2)/ 5x10x0.5 TW (2)/ CCS 2.5x8 (4)
6893	Input shaft (slipper shaft)/ bearing adapter (1)/ pin (1)
5352R	Rebuild kit (heavy duty), slipper clutch (steel disc/ aluminum friction pads (3)/ spring (1)/ 2x9.8mm pin/ 5x8mm MW/ 5.0mm NL (1)/ 4.0mm NL (1))
5352X	Rebuild kit, slipper clutch (steel disc/ friction pads (3)/ spring (2)/ 2x9.8mm pin/ 5x8mm MW/ 5.0mm NL (1)/ 4.0mm NL (1))
5552X	Rebuild kit, slipper clutch (steel disc/ friction pads (3)/ spring (2)/ pin/ 4.0mm NL (1)/ 5.0mm NL (1))
2554	Screws, 3x6mm cap-head machine (hex drive) (6)
6878	Slipper clutch, complete
5556	Slipper pressure plate & hub (aluminum alloy)
5351	Slipper pressure plate and hub (alloy)

Spur Gears & Pinion Gears

7477	Cover, gear/ wire retainer
6790	Gear adapter, fixed, Rustler® 4X4
6747	Gear, 11-T pinion (32-p) (steel)/ set screw
3942X	Gear, 12-T pinion (32-p), heavy duty (machined, hardened steel)/ set screw
3943X	Gear, 13-T pinion (32-p), heavy duty (machined, hardened steel)/ set screw
3944X	Gear, 14-T pinion (32-p), heavy duty (machined, hardened steel)/ set screw
3945X	Gear, 15-T pinion (32-p), heavy duty (machined, hardened steel)/ set screw
3946X	Gear, 16-T pinion (32-p), heavy duty (machined, hardened steel)/ set screw
3947X	Gear, 17-T pinion (32-p), heavy duty (machined, hardened steel)/ set screw

3948X	Gear, 18-T pinion (32-p), heavy duty (machined, hardened steel)/ set screw
3949X	Gear, 19-T pinion (32-p), heavy duty (machined, hardened steel)/ set screw
3950X	Gear, 20-T pinion (32-p), heavy duty (machined, hardened steel)/ set screw
3951X	Gear, 21-T pinion (32-p), heavy duty (machined, hardened steel)/ set screw
3952X	Gear, 22-T pinion (32-p), heavy duty (machined, hardened steel)/ set screw
6745	Gear, 9-T pinion (32-p) (steel)/ set screw
6842	Spur gear, 50-tooth (0.8 metric pitch, compatible with 32-pitch)
6842R	Spur gear, 50-tooth (0.8 metric pitch, compatible with 32-pitch) (for center differential)
6843	Spur gear, 52-tooth (0.8 metric pitch, compatible with 32-pitch)
6843R	Spur gear, 52-tooth (0.8 metric pitch, compatible with 32-pitch) (for center differential)
3956	Spur gear, 54-tooth (0.8 metric pitch, compatible with 32-pitch)
3956R	Spur gear, 54-tooth (0.8 metric pitch, compatible with 32-pitch) (requires #6814 center differential)
3956X	Spur gear, steel, 54-tooth (0.8 metric pitch, compatible with 32-pitch) (requires #6780 center differential)

Steering Components

1552	Screws, 3x8mm cap-head machine (hex drive) (6)/washers (6)/ wrench
2728	Ball bearings (5x8x2.5mm) (2)
5114	Ball bearings, blue rubber sealed (5x8x2.5mm) (2)
6845A	Drag link, machined 6061-T6 aluminum (blue-anodized)
6845G	Drag link, machined 6061-T6 aluminum (green-anodized)
6845T	Drag link, machined 6061-T6 aluminum (orange-anodized)
6845R	Drag link, machined 6061-T6 aluminum (red-anodized)
7438	Linkage, steering
2742X	Rod ends, short (6)/ hollow balls (6)
6845X	Steering bellcranks/ servo saver/ servo spring/ servo spring retainer/servo horn, steering
6742	Toe link, front & rear (molded composite) (2)/ hollow balls (4) (87mm center to center)
6742X	Toe links (TUBES blue-anodized, 7075-T6 aluminum, stronger than titanium) (87mm) (2)/ rod ends (4)/ aluminum wrench (1)
6742G	Toe links (TUBES green-anodized, 7075-T6 aluminum, stronger than titanium) (87mm) (2)/ rod ends (4)/ aluminum wrench (1)
6742R	Toe links (TUBES red-anodized, 7075-T6 aluminum, stronger than titanium) (87mm) (2)/ rod ends (4)/ aluminum wrench (1)
2746	Washers, 3x6mm metal (12)

Suspension Linkage

3643X	Camber links, front (TUBES blue-anodized, 7075-T6 aluminum, stronger than titanium) (83mm) (2)/ rod ends (4)/ aluminum wrench (1) (#2579 3x15 BCS (4) required for installation)
3643G	Camber links, front (TUBES green-anodized, 7075-T6 aluminum, stronger than titanium) (83mm) (2)/ rod ends (4)/ aluminum wrench (1) (#2579 3x15 BCS (4) required for installation)
3643R	Camber links, front (TUBES red-anodized, 7075-T6 aluminum, stronger than titanium) (83mm) (2)/ rod ends (4)/ aluminum wrench (1) (#2579 3x15 BCS (4) required for installation)
3644X	Camber links, rear (TUBES blue-anodized, 7075-T6 aluminum, stronger than titanium) (73mm) (2)/ rod ends (4)/ aluminum wrench (1) (#2579 3x15 BCS (4) required for installation)
3644G	Camber links, rear (TUBES green-anodized 7075-T6 aluminum, stronger than titanium) (73mm) (2)/ rod ends (4)/ aluminum wrench (1) (#2579 3x15 BCS (4) required for installation)
3644R	Camber links, rear (TUBES red-anodized, 7075-T6 aluminum, stronger than titanium) (73mm) (2)/ rod ends (4)/ aluminum wrench (1) (#2579 3x15 BCS (4) required for installation)
5525	Rod ends (12)/ hollow balls (12)
3739	Screw pin set (Rustler®/ Bandit/ Stampede®)
6834	Suspension pin set, complete (front and rear)
2537	Threaded rods (20/25/44mm 1 ea.)/ (1) 12mm set screw
6742	Toe link, front & rear (molded composite) (2)/ hollow balls (4) (87mm center to center)
6742X	Toe links (TUBES blue-anodized, 7075-T6 aluminum, stronger than titanium) (87mm) (2)/ rod ends (4)/ aluminum wrench (1)
6742G	Toe links (TUBES green-anodized, 7075-T6 aluminum, stronger than titanium) (87mm) (2)/ rod ends (4)/ aluminum wrench (1)
6742R	Toe links (TUBES red-anodized, 7075-T6 aluminum, stronger than titanium) (87mm) (2)/ rod ends (4)/ aluminum wrench (1)
3644	Turnbuckles, camber link, 39mm (69mm center to center) (assembled with rod ends and hollow balls) (1 left, 1 right) (fits front & rear on Slash)
3643	Turnbuckles, camber link, 49mm (82mm center to center) (assembled with rod ends and hollow balls) (1 left, 1 right)
5539	Turnbuckles, camber links, 58mm (assembled with rod ends and hollow balls) (2)

Team Traxxas Items

2514	Decal sheet, racing sponsors
6160X	DVD, Maxx® Power! Full Throttle Action (sleeve)
9950	Official Team Traxxas® racing decal set (flag logo/ 6-color)
9909	Traxxas® racing banner, red & black (3x7 feet)

Tires & Wheels

5116	Ball bearings, blue rubber sealed (5x11x4mm) (2)
3647	Nuts, 4mm flanged nylon locking (steel, serrated) (8)
1747R	Nuts, aluminum, flanged, serrated (4mm) (blue-anodized) (4)
1985	PTFE-coated washers, 5x8x0.5mm (20) (use with ball bearings)
1647	Silicone grease
2754	Stub axle pins (4)
4175	Tires & wheels, assembled, glued (2.8") (All-Star black chrome wheels, paddle tires, foam inserts) (nitro rear/ 4WD electric front/rear) (2) (TSM rated)
6773G	Tires & wheels, assembled, glued (2.8") (RXT 4X4 green wheels, Talon Extreme tires, foam inserts) (4WD electric front/rear, 2WD electric front only) (2) (TSM rated)
6773X	Tires & wheels, assembled, glued (2.8") (RXT black chrome wheels, Talon Extreme tires, foam inserts) (4WD electric front/rear, 2WD electric front only) (2) (TSM rated)
6773	Tires & wheels, assembled, glued (2.8") (RXT black wheels, Talon Extreme tires, foam inserts) (4WD electric front/rear, 2WD electric front only) (2) (TSM rated)
6773A	Tires & wheels, assembled, glued (2.8") (RXT orange wheels, Talon Extreme tires, foam inserts) (4WD electric front/rear, 2WD electric front only) (2) (TSM rated)
6773R	Tires & wheels, assembled, glued (2.8") (RXT satin chrome wheels, Talon Extreme tires, foam inserts) (4WD electric front/rear, 2WD electric front only) (2) (TSM rated)
6792	Tires & wheels, assembled, glued (black 2.8" wheels, Sledgehammer™ tires, foam inserts) (2) (TSM® rated)
6769	Tires, Talon EXT 2.8" (2)/ foam inserts (2)
1654	Wheel hubs, hex (rear) (2)/ stub axle pins (2)
1654X	Wheel hubs, hex (blue-anodized, lightweight aluminum) (2)/ axle pins (4)
6772	Wheels, RXT 2.8" (black) (2)

Traxxas Tools

3433X	Body reamer (aluminum handle)
3433	Body reamer (plastic handle)
3436	Cap, body reamer
3432	Scissors, curved tip
3431	Scissors, straight tip
8712	Speed Bit Essentials Set, hex and nut driver, 7-piece, includes premium handle (medium), travel pouch, hex drivers (straight: 1.5mm, 2.0mm, 2.5mm) and nut drivers (5.0mm, 5.5mm, 7.0mm, and 8.0mm), 1/4" drive
8721	Speed bit handle, medium (one piece)
8720	Speed bit handle, premium, large (rubber overmold)
8722	Speed bit handle, premium, medium (rubber overmold)
8710	Speed Bit Master Set, hex and nut driver, 13-piece, includes premium handle (medium), travel pouch, hex drivers (straight: 1.5mm, 2.0mm, 2.5mm, 3.0mm), (ball-end: 2.0mm, 2.5mm, 3.0mm), and nut drivers (4.00mm, 4.50mm, 5.00mm, 5.50mm, 7.00mm, 8.00mm),
8711	Speed Bit Master Set, hex driver, 7-piece straight and ball end, includes premium handle (medium), travel pouch, hex drivers (straight: 1.5mm, 2.0mm, 2.5mm, 3.0mm) (ball end: 2.0mm, 2.5mm, 3.0mm), 1/4" drive
8719	Speed Bit Master Set, nut driver, 6-piece, includes premium handle (medium), travel pouch, and nut drivers (4.0mm, 4.5mm, 5.0mm, 5.5mm, 7.0mm, 8.0mm), 1/4" drive
8716	Speed Bit Set, hex driver, 2-piece ball-end (2.0mm, 2.5mm), 1/4" drive
8716X	Speed Bit Set, hex driver, 3-piece ball-end (2.0mm, 2.5mm, 3.0mm), 1/4" drive
8715	Speed Bit Set, hex driver, 3-piece straight (1.5mm, 2.0mm, 2.5mm), 1/4" drive
8715X	Speed Bit Set, hex driver, 4-piece straight (1.5mm, 2.0mm, 2.5mm, 3.0mm), 1/4" drive
3415	Tool set with pouch (includes 1.5mm, 2.0mm, 2.5mm, 3.0mm, 3.5mm, 4mm drivers/ 4mm, 5mm, 5.5mm, 7mm and 8mm nut drivers/ 2mm, 4mm, and 5mm slotted screwdrivers/ #00 Phillips, #0 Phillips, and #1 Phillips screwdrivers/ 4mm and 8mm wrench/ driver handle)

Turnbuckles & Threaded Rods

3643X	Camber links, front (TUBES blue-anodized, 7075-T6 aluminum, stronger than titanium) (83mm) (2)/ rod ends (4)/ aluminum wrench (1) (#2579 3x15 BCS (4) required for installation)
-------	----------------------------------------------------------------------------------------------------------------------------------------------------------------------------------

RUSTLER 4X4 VXL (67076-4)

PARTS LIST

- 3643G Camber links, front (TUBES green-anodized, 7075-T6 aluminum, stronger than titanium) (83mm) (2)/ rod ends (4)/ aluminum wrench (1) (#2579 3x15 BCS (4) required for installation)
- 3643R Camber links, front (TUBES red-anodized, 7075-T6 aluminum, stronger than titanium) (83mm) (2)/ rod ends (4)/ aluminum wrench (1) (#2579 3x15 BCS (4) required for installation)
- 3644X Camber links, rear (TUBES blue-anodized, 7075-T6 aluminum, stronger than titanium) (73mm) (2)/ rod ends (4)/ aluminum wrench (1) (#2579 3x15 BCS (4) required for installation)
- 3644G Camber links, rear (TUBES green-anodized 7075-T6 aluminum, stronger than titanium) (73mm) (2)/ rod ends (4)/ aluminum wrench (1) (#2579 3x15 BCS (4) required for installation)
- 3644R Camber links, rear (TUBES red-anodized, 7075-T6 aluminum, stronger than titanium) (73mm) (2)/ rod ends (4)/ aluminum wrench (1) (#2579 3x15 BCS (4) required for installation)
- 5525 Rod ends (12)/ hollow balls (12)
- 6742 Toe link, front & rear (molded composite) (2)/ hollow balls (4) (87mm center to center)
- 6742X Toe links (TUBES blue-anodized, 7075-T6 aluminum, stronger than titanium) (87mm) (2)/ rod ends (4)/ aluminum wrench (1)
- 6742G Toe links (TUBES green-anodized, 7075-T6 aluminum, stronger than titanium) (87mm) (2)/ rod ends (4)/ aluminum wrench (1)
- 6742R Toe links (TUBES red-anodized, 7075-T6 aluminum, stronger than titanium) (87mm) (2)/ rod ends (4)/ aluminum wrench (1)
- 3644 Turnbuckles, camber link, 39mm (69mm center to center) (assembled with rod ends and hollow balls) (1 left, 1 right) (fits front & rear on Slash)
- 3643 Turnbuckles, camber link, 49mm (82mm center to center) (assembled with rod ends and hollow balls) (1 left, 1 right)
- 5539 Turnbuckles, camber links, 58mm (assembled with rod ends and hollow balls) (2)

If you have questions or need technical assistance, call Traxxas at:

1-888-TRAXXAS

(1-888-872-9927) (U.S. residents only)

For orders, calls outside the U.S., and other information, call 972-549-3000, or fax to 972-549-3011 e-mail Traxxas at support@Traxxas.com

TRAXXAS.COM

Questions? Call toll-free, 1-888-TRAXXAS

4WD ELECTRIC MODELS

MAXX[®]

MODEL 89076-4

1/10 SCALE MAXX
MONSTER TRUCK



VELINEON VXL-4S ESC



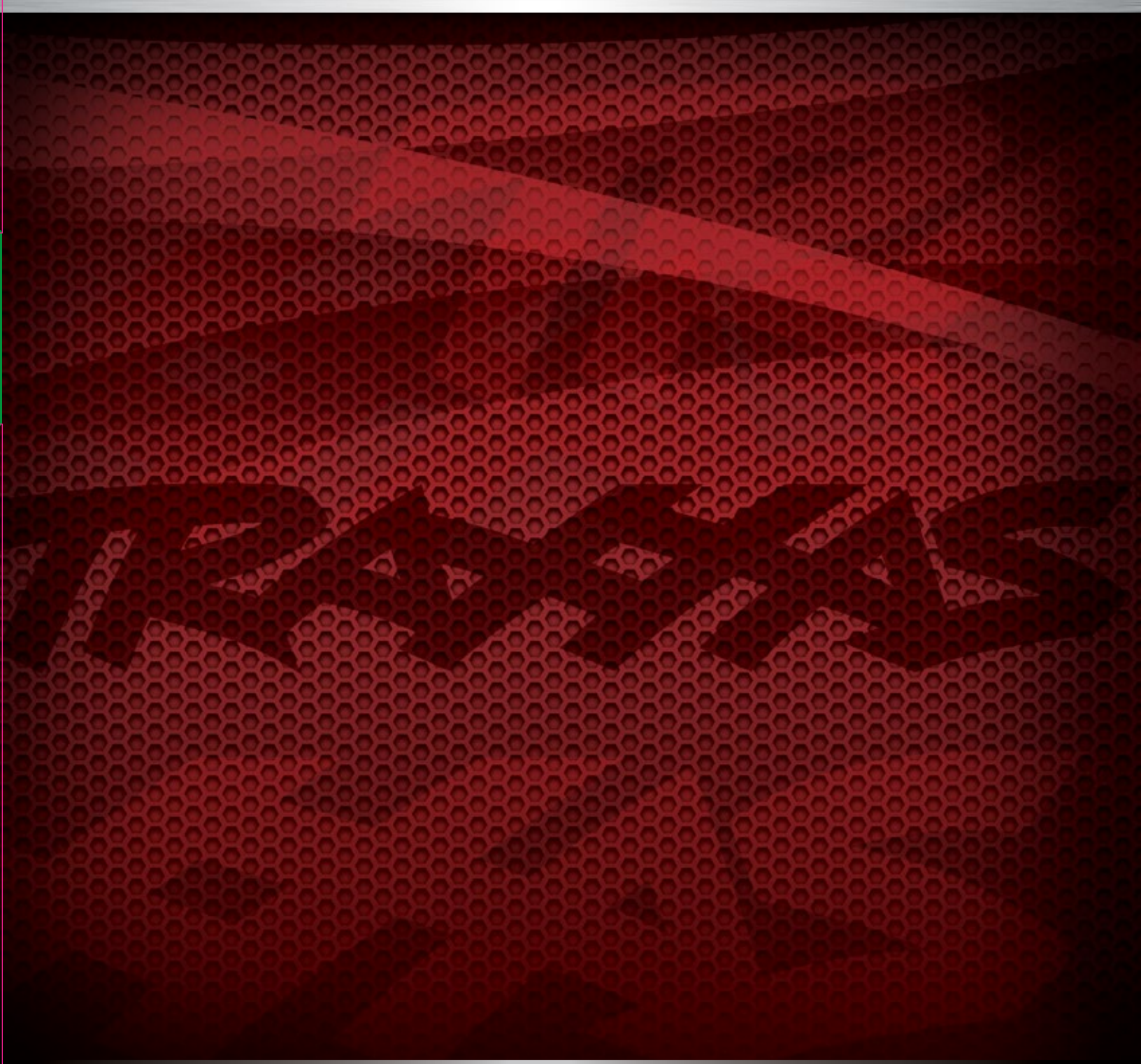
VELINEON 540XL 2400KV
70MM BRUSHLESS MOTOR



TQi 2.4GHz TRANSMITTER
COMPATIBLE WITH TRAXXAS
LINK WIRELESS MODULE

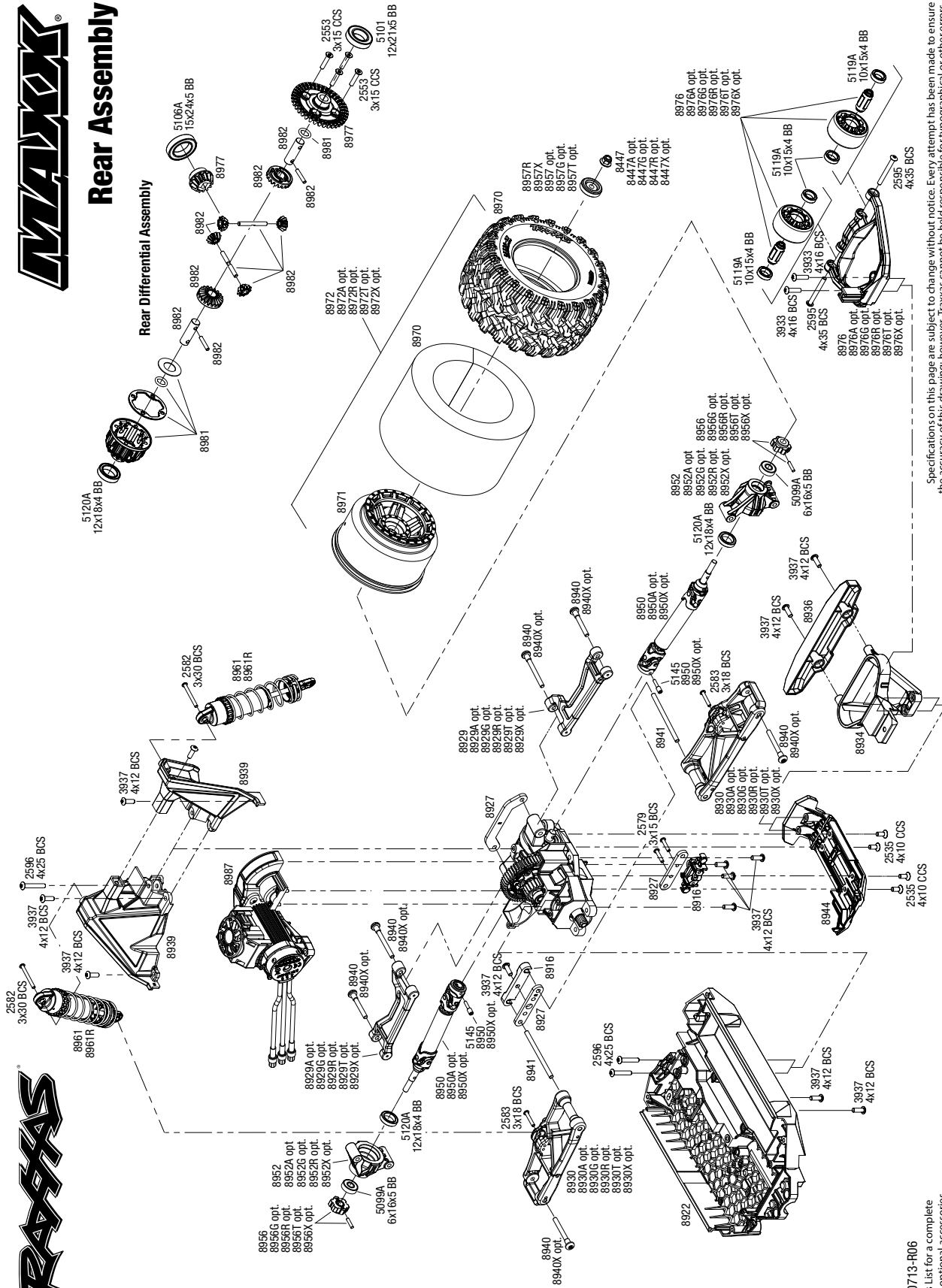
THE MAXX EXPERIENCE

The Traxxas X-Maxx forever changed the face of RC monster trucks. Its radical new design, massive size, brutal strength, and unmatched power transformed X-Maxx into the stuff of legends. There is really nothing else like it... until now. Meet the all-new 1/10 Traxxas Maxx. Maxx expertly packages X-Maxx's innovative design elements into a lighter, more compact, more ferocious beast that is ready to take speed and strength to new levels of extreme intensity. Let the fun begin!





Rear Assembly



Specifications on this page are subject to change without notice. Every attempt has been made to ensure the accuracy of this drawing; however, Traxxas cannot be held responsible for typographical or other errors.

REV 200713-R06

See Parts List for a complete listing of optional accessories.

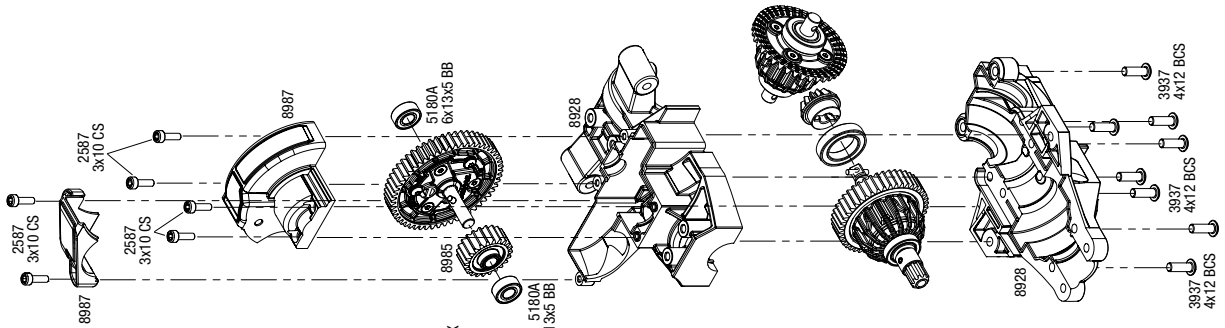
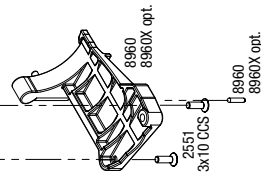
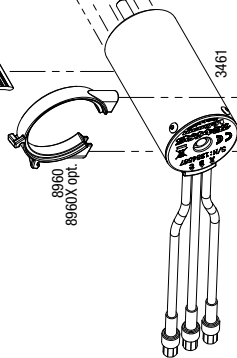
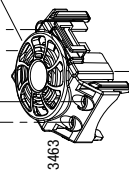
Questions? Call toll-free, 1-888-TRAXXAS

EXPLODED VIEWS



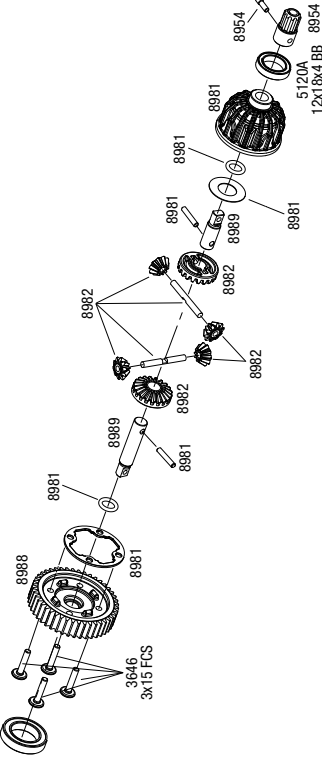
Transmission Assembly

- 3463 2.3x15 BCS (self-tapping)
- 3463 2.3x15 BCS (self-tapping)
- 3475 Cooling Fan

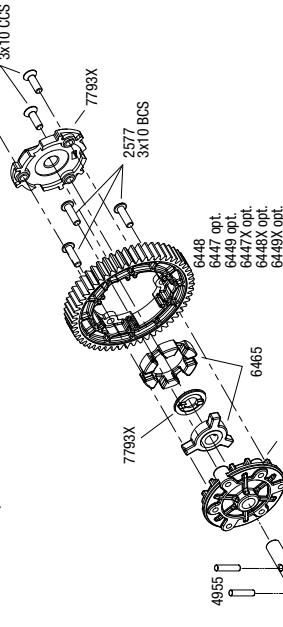


Center Differential Assembly

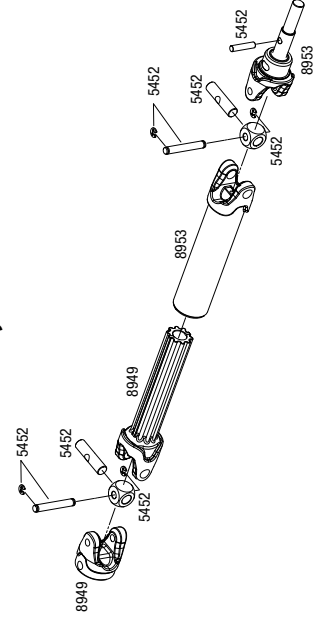
- 5106A 15x24x5 BB



Cush Drive Assembly



Front & Rear Driveshaft Assembly

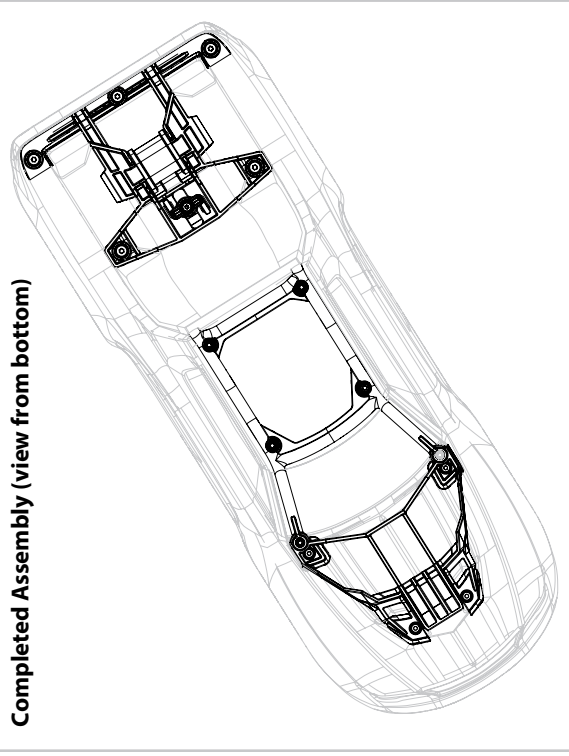
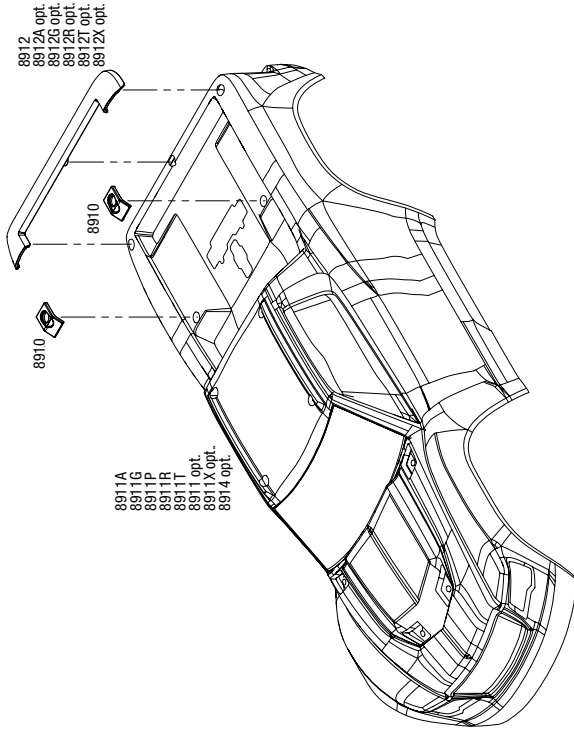


Questions? Call toll-free, 1-888-TRAXXAS

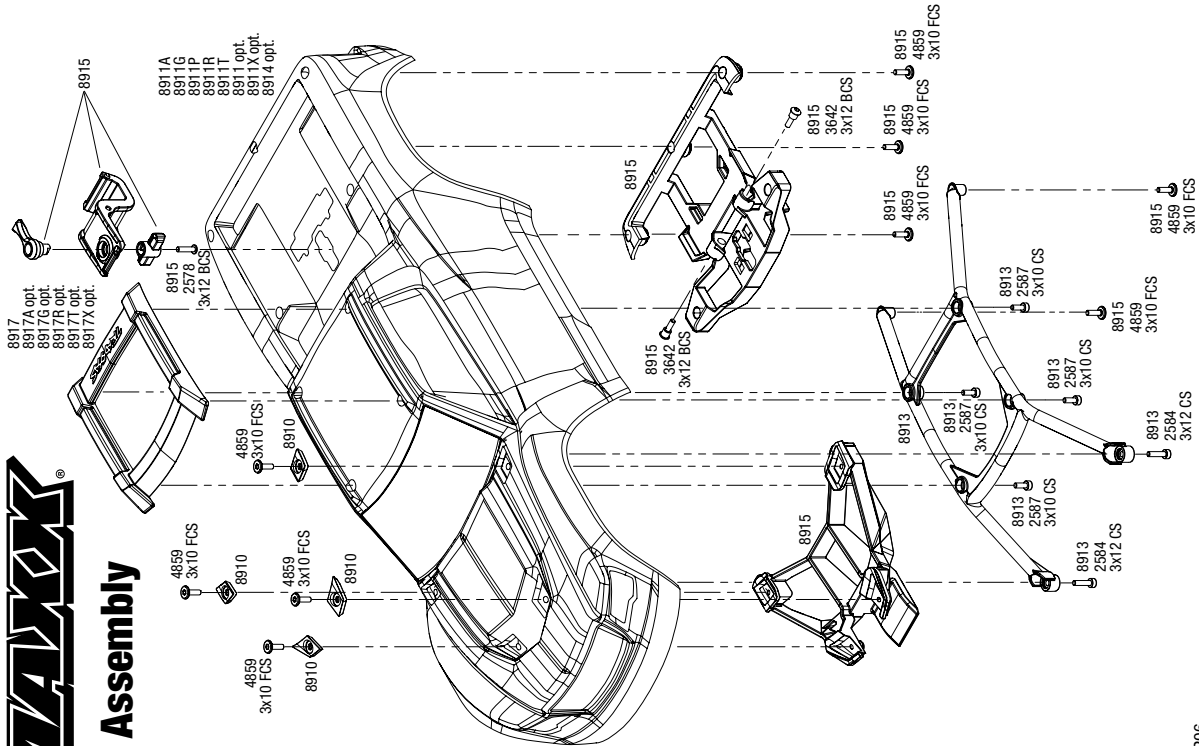


See Parts List for a complete listing of optional accessories.

REV 200713-R06
Specifications on this page are subject to change without notice. Every attempt has been made to ensure the accuracy of this drawing; however, Traxxas cannot be held responsible for typographical or other errors.



See Parts List for a complete listing of optional accessories.



MAXX
Body Assembly

Questions? Call toll-free, 1-888-TRAXXAS

REV 200713-R06
Specifications on this page are subject to change without notice. Every attempt has been made to ensure the accuracy of this drawing; however, Traxxas cannot be held responsible for typographical or other errors. See Parts List for a complete listing of optional accessories.

PARTS SHOWN IN BOLD ARE OPTIONAL ACCESSORIES.

Part categories and individual part listings are arranged alphabetically.

Bearings & Bushings

5106A	Ball bearing, black rubber sealed (15x24x5mm) (2)
5107A	Ball bearing, black rubber sealed (17x26x5mm) (2)
5196A	Ball bearing, black rubber sealed (20x32x7mm) (2)
5099A	Ball bearing, black rubber sealed (6x16x5mm) (2)
2728	Ball bearings (5x8x2.5mm) (2)
5119A	Ball bearings, black rubber sealed (10x15x4mm) (2)
5120A	Ball bearings, black rubber sealed (12x18x4mm) (2)
5101A	Ball bearings, black rubber sealed (12x21x5mm) (2)
5098A	Ball bearings, black rubber sealed (17x23x4mm) (2)
5180A	Ball bearings, black rubber sealed (6x13x5mm) (2)
5118A	Ball bearings, black rubber sealed (8x16x5mm) (2)
5101	Ball bearings, blue rubber sealed (12x21x5mm) (2)
7020	Ball bearings, blue rubber sealed (8x12x3.5mm) (2)

Body & Accessories

8915	Body mounts, front & rear/ 3x12mm BCS (1)/ 3x12mm shoulder screw (2)/ 3x8mm CS (2)/ 3x15mm flat-head machine screw (9)
8910	Body reinforcement set, Maxx® (fits #8911 body)
8913	Body support, rear/ 3x10mm CS (4) (fits #8911 body)
8911	Body, Maxx® (clear, requires painting)/ window masks/ decal sheet
8911G	Body, Maxx®, green (painted)/ decal sheet
8914	Body, Maxx®, heavy duty (clear, requires painting)/ window masks/ decal sheet
8911T	Body, Maxx®, orange (painted)/ decal sheet
8911X	Body, Maxx®, ProGraphix® (graphics are printed, requires paint & final color application)/ decal sheet
8911P	Body, Maxx®, red-x (painted)/ decal sheet
8917	Skid plate, roof (body) (black)/ 3x10mm CS (4)
8917X	Skid plate, roof (body) (blue)/ 3x12mm CS (4)
8917G	Skid plate, roof (body) (green)/ 3x12mm CS (4)
8917T	Skid plate, roof (body) (orange)/ 3x12mm CS (4)
8917R	Skid plate, roof (body) (red)/ 3x12mm CS (4)
8917A	Skid plate, roof (body) (white)/ 3x12mm CS (4)
8912X	Tailgate protector, blue/ 3x15mm flat-head screw (4)
8912G	Tailgate protector, green/ 3x15mm flat-head screw (4)
8912T	Tailgate protector, orange/ 3x15mm flat-head screw (4)
8912R	Tailgate protector, red/ 3x15mm flat-head screw (4)
8912A	Tailgate protector, white/ 3x15mm flat-head screw (4)
8912	Tailgate protector/ 3x15mm flat-head screw (4)

Bumpers & Skidplates

8933	Bumper mount, front
8934	Bumper mount, rear
8935	Bumper, front
8935X	Bumper, front (for use with #8990 LED light kit)
8936	Bumper, rear
8936X	Bumper, rear (for use with #8990 LED light kit)
8945	Skidplate, center
8944	Skidplate, front (1), rear (1)

Chassis & Attachments

8919X	Battery expansion kit, Maxx® (allows for installation of taller battery packs)
8919	Battery hold-down/ mounts (front & rear)/ battery compartment spacers/ foam pads
8915	Body mounts, front & rear/ 3x12mm BCS (1)/ 3x12mm shoulder screw (2)/ 3x8mm CS (2)/ 3x15mm flat-head machine screw (9)
8924	Box, receiver (sealed)/ wire cover/ foam pads/ silicone grease/ 2.5x10 CS (2)/ 3x15 CCS (3)
8933	Bumper mount, front
8934	Bumper mount, rear
8935	Bumper, front
8936	Bumper, rear
8922	Chassis
8921	Chassis brace, front
8987	Covers, gear (2)
8923	Nerf bars, chassis (2)
8925	Seal kit, receiver box (includes o-ring, seals, and silicone grease)
8938	Shock tower, front (left & right halves)
8939	Shock tower, rear (left & right halves)
8945	Skidplate, center
8944	Skidplate, front (1), rear (1)
8976	Wheelie bar
8976X	Wheelie bar, blue
8976G	Wheelie bar, green

8976T	Wheelie bar, orange
8976R	Wheelie bar, red
8976A	Wheelie bar, white

Cush Drive Components

6465	Cush drive key/ pin/ elastomer damper
7793X	Housing, cush drive (front & rear halves)
6447	Spur gear, 46-tooth (1.0 metric pitch)
6448	Spur gear, 50-tooth (1.0 metric pitch)
6449	Spur gear, 54-tooth (1.0 metric pitch)
6449X	Spur gear, 54-tooth, steel (1.0 metric pitch)

Differential Components

8981	Carrier, differential/ x-ring gasket/ o-ring (2)/ 10x19.5x0.5 TW
8980	Differential kit, center (complete)
5136X	Differential oil kit (1 each: 10K, 30K, 50K weights)
8949	Differential output yoke assembly, front or rear (assembled with external-splined half shaft)
8982	Gear set, differential (output gears (2)/ spider gears (4)/ spider gear shaft (2)/ output shaft (2)/ 2.5X13.8 pin (2))
8988	Gear, center differential, 44-tooth
5041	Grease, premium high performance (20cc)
8985	Input gear, transmission, 22-tooth/ 2.5x12mm pin
8986	Input shaft, transmission
5130	Oil, differential (100K wt) (0.7 oz (20cc))
5135	Oil, differential (10K wt)
5040	Oil, differential (20M wt) (standard)
5136	Oil, differential (30K wt)
5137	Oil, differential (50K wt)
8989	Output gear, center differential, hardened steel (2)
8978	Ring gear, differential/ pinion gear, differential (front)
8977	Ring gear, differential/ pinion gear, differential (rear)
8953	Stub axle assembly, outer (front or rear) (assembled with internal-splined half shaft)

Driveline Components

8952X	Carriers, stub axle (blue-anodized 6061-T6 aluminum) (rear) (2)
8952G	Carriers, stub axle (green-anodized 6061-T6 aluminum) (rear) (2)
8952	Carriers, stub axle (left & right)
8952A	Carriers, stub axle (orange-anodized 6061-T6 aluminum) (rear) (2)
8952R	Carriers, stub axle (red-anodized 6061-T6 aluminum) (rear) (2)
8951	Drive cup (1)/ 4x15.8mm screw pin (for use only with #8950X, 8950A driveshaft)
8954	Drive hub, front (1)/ 3x10 screw pin (1)
8950	Driveshaft assembly, front or rear, Maxx® Duty (1) (left or right) (fully assembled, ready to install)/ screw pin (1)
8955	Driveshaft, center, aluminum
8950A	Driveshaft, steel constant-velocity (shaft only, 89.5mm) (1) (for use only with #8951 drive cup)
8950X	Driveshafts, steel constant-velocity (assembled), front or rear (4) (#8654, 8654G, or 8654R and #7758, 7758G, or 7758R required for a complete set)
8447A	Nuts, 5mm flanged nylon locking (aluminum, black-anodized, serrated) (4)
8447X	Nuts, 5mm flanged nylon locking (aluminum, blue-anodized, serrated) (4)
8447G	Nuts, 5mm flanged nylon locking (aluminum, green-anodized, serrated) (4)
8447R	Nuts, 5mm flanged nylon locking (aluminum, red-anodized, serrated) (4)
8447	Nuts, 5mm flanged nylon locking (steel, black serrated) (8)
5040	Oil, differential (20M wt) (standard)
8953	Stub axle assembly, outer (front or rear) (assembled with internal-splined half shaft)
8956	Wheel hubs, hex (2)/ 2.5x14 pins (2)
8956X	Wheel hubs, hex, aluminum (blue-anodized) (4)/ 4x13mm screw pins (4)
8956G	Wheel hubs, hex, aluminum (green-anodized) (4)/ 4x13mm screw pins (4)
8956T	Wheel hubs, hex, aluminum (orange-anodized) (4)/ 4x13mm screw pins (4)
8956R	Wheel hubs, hex, aluminum (red-anodized) (4)/ 4x13mm screw pins (4)
8654	Wheel hubs, splined, 17mm (blue-anodized) (4)/ 4x5 GS (4)/ 3x14mm pin (4)
8654G	Wheel hubs, splined, 17mm (green-anodized) (4)/ 4x5 GS (4)/ 3x14mm pin (4)

8654A	Wheel hubs, splined, 17mm (orange-anodized) (4)/ 4x5 GS (4)/ 3x14mm pin (4)
8654R	Wheel hubs, splined, 17mm (red-anodized) (4)/ 4x5 GS (4)/ 3x14mm pin (4)
8957	Wheel washers, black (4)
8957X	Wheel washers, blue (4)
8957G	Wheel washers, green (4)
8957T	Wheel washers, orange (4)
8957R	Wheel washers, red (4)

Front Suspension & Steering

8926	Bulkhead tie bar, front, upper (1)/ lower (2) (steel)
8920	Bulkhead, front (upper and lower)
8932X	Caster blocks (c-hubs), 6061-T6 aluminum (blue-anodized), left & right/ 4x22mm pin (4)/ 3x6mm BCS (4)/ retainers (4)
8932G	Caster blocks (c-hubs), 6061-T6 aluminum (green-anodized), left & right/ 4x22mm pin (4)/ 3x6mm BCS (4)/ retainers (4)
8932A	Caster blocks (c-hubs), 6061-T6 aluminum (orange-anodized), left & right/ 4x22mm pin (4)/ 3x6mm BCS (4)/ retainers (4)
8932R	Caster blocks (c-hubs), 6061-T6 aluminum (red-anodized), left & right/ 4x22mm pin (4)/ 3x6mm BCS (4)/ retainers (4)
8932	Caster blocks (c-hubs), left & right
8916	Mount, tie bar, front (1)/ rear (1)/ suspension pin retainer, front or rear (2)
8958	Rod ends (4) (assembled with steel pivot balls) (replacement ends for #8547A, 8547R, 8547X, 8948A, 8948G, 8948R, 8948X, 8997A, 8997G, 8997R, 8997X)
8947	Servo horn, steering/ linkage, steering (46mm, assembled with pivot balls)
8938	Shock tower, front (left & right halves)
8946	Steering bellcranks/ bellcrank support/ servo saver/ servo saver spring/ draglink/ 3x20mm shoulder screws (2)
8937X	Steering blocks, 6061-T6 aluminum (blue-anodized), left & right
8937G	Steering blocks, 6061-T6 aluminum (green-anodized), left & right
8937A	Steering blocks, 6061-T6 aluminum (orange-anodized), left & right
8937R	Steering blocks, 6061-T6 aluminum (red-anodized), left & right
8937	Steering blocks, left & right
8930	Suspension arm, lower, black (left or right, front or rear) (2)
8930X	Suspension arm, lower, blue (left and right, front or rear) (2)
8930G	Suspension arm, lower, green (left and right, front or rear) (2)
8930T	Suspension arm, lower, orange (left and right, front or rear) (2)
8930R	Suspension arm, lower, red (left and right, front or rear) (2)
8930A	Suspension arm, lower, white (left and right, front or rear) (2)
8929	Suspension arms, upper, black (left or right, front or rear) (2)
8929X	Suspension arms, upper, blue (left or right, front or rear) (2)
8929G	Suspension arms, upper, green (left or right, front or rear) (2)
8929T	Suspension arms, upper, orange (left or right, front or rear) (2)
8929R	Suspension arms, upper, red (left or right, front or rear) (2)
8929A	Suspension arms, upper, white (left or right, front or rear) (2)
8940X	Suspension pin set, complete (hardened steel), 4x64mm (4), 4x22mm (4), 4x38mm (4), 4x33mm (4), 4x47mm (4)/ 3x8mm BCS (14)/ 3x6mm BCS (4)/ retainers (8)
8942	Suspension pin set, front (left or right) (hardened steel), 4x64mm (1), 4x22mm (2), 4x38mm (1), 4x33mm (1), 4x47mm (1)
8941	Suspension pins, lower, inner (front or rear), 4x64mm (2) (hardened steel)
8940	Suspension screw pin set, front or rear (hardened steel), 4x18mm (4), 4x38mm (2), 4x33mm (2), 4x43mm (2)

Hardware

3642	Attachment screws, shock (3x12mm shoulder screws) (6)
1552	Backplate screws (3x8mm cap-head machine) (6)/ washers (6)/ wrench
2584	Head screws, 3x12mm cap-head machine (hex drive) (6) (TRX 2.5, 2.5R, 3.3)
8447A	Nuts, 5mm flanged nylon locking (aluminum, black-anodized, serrated) (4)
8447X	Nuts, 5mm flanged nylon locking (aluminum, blue-anodized, serrated) (4)
8447G	Nuts, 5mm flanged nylon locking (aluminum, green-anodized, serrated) (4)
8447R	Nuts, 5mm flanged nylon locking (aluminum, red-anodized, serrated) (4)
8447	Nuts, 5mm flanged nylon locking (steel, black serrated) (8)
5147X	Nuts, 5mm flanged nylon locking (steel, serrated) (8)
3236	Screws, 2.5x12mm cap-head machine (6)
2577	Screws, 3x10mm button-head machine (hex drive) (6)
2587	Screws, 3x10mm cap-head machine (6) (no washer)
2551	Screws, 3x10mm countersunk machine (6) (hex drive)
4859	Screws, 3x10mm flat-head machine (hex drive) (4)
2578	Screws, 3x12mm button-head machine (hex drive) (6)
2579	Screws, 3x15mm button-head machine (hex drive) (6)

2553	Screws, 3x15mm countersunk machine (6) (hex drive)
3646	Screws, 3x15mm flat-head machine (hex drive) (6)
2583	Screws, 3x18mm button-head machine (hex drive) (6)
2581	Screws, 3x25mm button-head machine (hex drive) (6)
2582	Screws, 3x30mm button-head machine (hex drive) (6)
2550	Screws, 3x8mm countersunk machine (6) (hex drive)
3936	Screws, 4x10mm button-head machine (hex drive) (6)
2535	Screws, 4x10mm countersunk machine (hex drive) (6)
3937	Screws, 4x12mm button-head machine (hex drive) (6)
3938	Screws, 4x14mm button-head machine (hex drive) (6)
3933	Screws, 4x16mm button-head machine (hex drive) (6)
2589	Screws, 4x20mm button-head machine (hex drive) (6)
2596	Screws, 4x25mm button-head machine (hex drive) (6)
2595	Screws, 4x35mm button-head machine (hex drive) (6)
8940X	Suspension pin set, complete (hardened steel), 4x64mm (4), 4x22mm (4), 4x38mm (4), 4x33mm (4), 4x47mm (4)/ 3x8mm BCS (14)/ 3x6mm BCS (4)/ retainers (8)
8942	Suspension pin set, front (left or right) (hardened steel), 4x64mm (1), 4x22mm (2), 4x38mm (1), 4x33mm (1), 4x47mm (1)
8943	Suspension pin set, rear (left or right) (hardened steel), 4x64mm (1), 4x38mm (1), 4x33mm (1), 4x47mm (1)

LED Lights

6590	High-Voltage Power Amplifier
7884	LED light bar, front (high-voltage) (40 white LEDs (double row), 82mm wide) (fits X-Maxx® or Maxx®)
7883	LED light bar, rear, red (with white reverse light) (high-voltage) (24 red LEDs, 24 white LEDs, 100mm wide)/ light bar mount (fits X-Maxx® or Maxx®)
8990	LED light kit, Maxx®, complete (includes #6590 high-voltage power amplifier)

Motors & Electronics

7749	Adapter, standard servo (adapts standard servo to fit in X-Maxx® or Maxx®)
3463	Cooling fan kit (with shroud), Velineon® 540XL motor
3475	Cooling fan, Velineon® VXL ESC (fits VXL-6s & VXL-8s)
8987	Covers, gear (2)
2092	Gear set (for 2090 servo)
3462	Heat sink, Velineon® 540XL motor
8960	Motor mounts (front and rear)/ pin (1)
8960X	Motor mounts (front and rear)/ pin (1) (for installation of #3481 motor into Maxx®)
3461	Motor, Velineon® 540XL, 2400Kv 70mm, brushless (assembled with 12-gauge wire and gold-plated bullet connectors) (for Maxx®/Hoss™)
3464	Mount, motor cooling fan (fits #3461 motor)
2091	Servo case/ gaskets (for 2090 waterproof servo)
8947X	Servo horn, steel
8947	Servo horn, steering/ linkage, steering (46mm, assembled with pivot balls)
2090	Servo, digital high-torque (ball bearing), waterproof
2085	Servo, digital high-torque (ball bearing), waterproof (X-Maxx®/Maxx® mount)
2085X	Servo, digital high-torque, metal gear (ball bearing), waterproof/ servo saver spring/ steering link
3465	Velineon® VXL-4s High Output Electronic Speed Control, waterproof (brushless) (fwd/rev/brake)

Radio System, Batteries & Chargers

2849X	4000mAh 11.1v 3-Cell 25C LiPo Battery
2872X	5000mAh 11.1v 3-Cell 25C LiPo Battery
2889X	5000mAh 14.8v 4-Cell 25C LiPo Battery
2857X	6400mAh 11.1v 3-Cell 25C LiPo Battery
2938X	Adapter, Traxxas® iD® LiPo battery (adapts Traxxas iD batteries to separate balance ports)
1926	Antenna caps, vinyl (2)/ antenna spool
1726	Antenna, tube (1)/ vinyl antenna cap (1)/ wire retainer (1)
1726A	Antenna, tube, black (1)/ vinyl antenna cap (1)/ wire retainer (1)
2943	Battery charge indicators (green (4), blue (4), grey (4))
6548	Battery door, transmitter (replacement for #6516, 6517, 6528, 6529, 6530 transmitters)
8919X	Battery expansion kit, Maxx® (allows for installation of taller battery packs)
2914	Battery, Power Cell AA Alkaline (4)
2996X	Battery/charger completer pack (includes #2971 iD charger (1), #2889X 5000mAh 14.8V 4-cell 25C LiPo battery (1))
2990	Battery/charger completer pack (includes #2972 Dual iD® charger (1), #2872X 5000mAh 11.1V 3-cell 25C LiPo battery (2))
2972	Charger, EZ-Peak® Dual, 100W, NiMH/LiPo with iD® Auto Battery Identification
2973	Charger, EZ-Peak® Live Dual, 200W, NiMH/LiPo with iD® Auto Battery Identification
2971	Charger, EZ-Peak® Live, 100W, NiMH/LiPo with iD® Auto Battery Identification

2970	Charger, EZ-Peak® Plus, 4 amp, NiMH/LiPo with iD® Auto Battery Identification
6525	Communication link, telemetry expander
6541	Connector, power tap (with cable) (long)/ wire tie
2092	Gear set (for 2090 servo)
2968X	LiPo cell voltage checker/balancer (includes #2938X adapter for Traxxas® iD® batteries)
2968	LiPo cell voltage checker/balancer (requires #2938X adapter for Traxxas® iD® batteries)
6535	Mount, temperature sensor (electric motors)/ wire tie/ thermal pad
6533	Receiver, micro, TQi 2.4GHz with telemetry & TSM (5-channel)
6552	Seal kit, expander box (includes o-ring, seals, and silicone grease)
6526	Sensor, auto-detectable, temperature
6527	Sensor, auto-detectable, voltage
6521	Sensor, temperature and voltage (long)
2091	Servo case/ gaskets (for 2090 waterproof servo)
2090	Servo, digital high-torque (ball bearing), waterproof
6553X	Telemetry expander 2.0 and GPS module 2.0, TQi radio system
6550X	Telemetry expander 2.0, TQi radio system (for use only with #6551X GPS module)
6551X	Telemetry GPS module 2.0, TQi radio system (for use only with #6550X telemetry expander)
6509R	TQi 2.4 GHz High Output radio system, 2-channel, Traxxas Link™ enabled, TSM (2-ch transmitter, 5-ch micro receiver)
6507R	TQi 2.4 GHz High Output radio system, 4-channel with Traxxas Link™ Wireless Module, TSM (4-ch transmitter, 5-ch micro receiver)
6528	Transmitter, TQi Traxxas Link™ enabled, 2.4GHz high output, 2-channel (transmitter only)
6529	Transmitter, TQi Traxxas Link™ enabled, 2.4GHz high output, 3-channel (transmitter only)
6530	Transmitter, TQi Traxxas Link™ enabled, 2.4GHz high output, 4-channel (transmitter only)
6511	Traxxas Link™ Wireless Module

Ready-To-Race Model

89076-4	Maxx®: 1/10 Scale 4WD Brushless Electric Monster Truck with TQi Traxxas Link™ Enabled 2.4GHz Radio System & Traxxas Stability Management (TSM)®
---------	-------------------------------------------------------------------------------------------------------------------------------------------------

Rear Suspension

8927	Bulkhead tie bar, rear, upper (1)/ lower front (1)/ lower rear (1) (steel)
8928	Bulkhead, rear (upper and lower)
8952X	Carriers, stub axle (blue-anodized 6061-T6 aluminum) (rear) (2)
8952G	Carriers, stub axle (green-anodized 6061-T6 aluminum) (rear) (2)
8952	Carriers, stub axle (left & right)
8952A	Carriers, stub axle (orange-anodized 6061-T6 aluminum) (rear) (2)
8952R	Carriers, stub axle (red-anodized 6061-T6 aluminum) (rear) (2)
8916	Mount, tie bar, front (1)/ rear (1)/ suspension pin retainer, front or rear (2)
8958	Rod ends (4) (assembled with steel pivot balls) (replacement ends for #8547A, 8547R, 8547X, 8948A, 8948G, 8948R, 8948X, 8997A, 8997G, 8997R, 8997X)
8939	Shock tower, rear (left & right halves)
8930	Suspension arm, lower, black (left or right, front or rear) (2)
8930X	Suspension arm, lower, blue (left and right, front or rear) (2)
8930G	Suspension arm, lower, green (left and right, front or rear) (2)
8930T	Suspension arm, lower, orange (left and right, front or rear) (2)
8930R	Suspension arm, lower, red (left and right, front or rear) (2)
8930A	Suspension arm, lower, white (left and right, front or rear) (2)
8929	Suspension arms, upper, black (left or right, front or rear) (2)
8929X	Suspension arms, upper, blue (left or right, front or rear) (2)
8929G	Suspension arms, upper, green (left or right, front or rear) (2)
8929T	Suspension arms, upper, orange (left or right, front or rear) (2)
8929R	Suspension arms, upper, red (left or right, front or rear) (2)
8929A	Suspension arms, upper, white (left or right, front or rear) (2)
8940X	Suspension pin set, complete (hardened steel), 4x64mm (4), 4x22mm (4), 4x38mm (4), 4x33mm (4), 4x47mm (4)/ 3x8mm BCS (14)/ 3x6mm BCS (4)/ retainers (8)
8943	Suspension pin set, rear (left or right) (hardened steel), 4x64mm (1), 4x38mm (1), 4x33mm (1), 4x47mm (1)
8941	Suspension pins, lower, inner (front or rear), 4x64mm (2) (hardened steel)
8940	Suspension screw pin set, front or rear (hardened steel), 4x18mm (4), 4x38mm (2), 4x33mm (2), 4x43mm (2)

Shocks (GT-Maxx®)

8965X	Body, GT-Maxx® shock (aluminum, blue-anodized) (1)
8965G	Body, GT-Maxx® shock (aluminum, green-anodized) (1)
8965T	Body, GT-Maxx® shock (aluminum, orange-anodized) (1)
8965R	Body, GT-Maxx® shock (aluminum, red-anodized) (1)

8962	Rebuild kit, GT-Maxx® shocks (lower cartridge, assembled, pistons, piston nuts, bladders) (renews 2 shocks)
8964X	Shock caps, aluminum (blue-anodized), GT-Maxx® shocks (4)
8964G	Shock caps, aluminum (green-anodized), GT-Maxx® shocks (4)
8964T	Shock caps, aluminum (orange-anodized), GT-Maxx® shocks (4)
8964R	Shock caps, aluminum (red-anodized), GT-Maxx® shocks (4)
8964	Shock caps, GT-Maxx® shocks/ spring perch/ adjusters/ 2.5x14 CS (2) (for 2 shocks)
8963	Shock shaft, 72mm (GT-Maxx®) (steel, chrome finish) (2)/ rod ends (2)/ hollow balls (2)
8961	Shocks, GT-Maxx®, aluminum (blue-anodized) (fully assembled w/o springs) (2)
8961G	Shocks, GT-Maxx®, aluminum (green-anodized) (fully assembled w/o springs) (2)
8961T	Shocks, GT-Maxx®, aluminum (orange-anodized) (fully assembled w/o springs) (2)
8961R	Shocks, GT-Maxx®, aluminum (red-anodized) (fully assembled w/o springs) (2)
1667	Silicone shock oil (30 wt), 60cc
8968X	Spring retainer (adjuster), blue-anodized aluminum, GT-Maxx® shocks (4) (assembled with o-ring)
8968G	Spring retainer (adjuster), green-anodized aluminum, GT-Maxx® shocks (4) (assembled with o-ring)
8968A	Spring retainer (adjuster), orange-anodized aluminum, GT-Maxx® shocks (4) (assembled with o-ring)
8968R	Spring retainer (adjuster), red-anodized aluminum, GT-Maxx® shocks (4) (assembled with o-ring)
8966	Springs, shock (natural finish) (GT-Maxx®) (1.210 rate) (2)
8967	Springs, shock (natural finish) (GT-Maxx®) (1.450 rate) (2)
8969	Springs, shock (natural finish) (GT-Maxx®) (1.725 rate) (2)

Spur Gears & Pinion Gears

6487X	Gear, 15-T pinion (1.0 metric pitch) (fits 5mm shaft)/ set screw (for use only with steel spur gears)
6489X	Gear, 16-T pinion (1.0 metric pitch) (fits 5mm shaft)/ set screw (for use only with steel spur gears)
6490X	Gear, 17-T pinion (1.0 metric pitch) (fits 5mm shaft)/ set screw (for use only with steel spur gears)
6491X	Gear, 18-T pinion (1.0 metric pitch) (fits 5mm shaft)/ set screw (for use only with steel spur gears)
6491R	Gear, 18-T pinion (machined) (1.0 metric pitch) (fits 5mm shaft)/ set screw (for use only with steel spur gears)
6494X	Gear, 20-T pinion (1.0 metric pitch) (fits 5mm shaft)/ set screw (for use only with steel spur gears)
6495X	Gear, 22-T pinion (1.0 metric pitch) (fits 5mm shaft)/ set screw (for use only with steel spur gears)
6496X	Gear, 24-T pinion (1.0 metric pitch) (fits 5mm shaft)/ set screw (for use only with steel spur gears)
6447	Spur gear, 46-tooth (1.0 metric pitch)
6447R	Spur gear, 46-tooth, steel (wide-face, 1.0 metric pitch)
6448	Spur gear, 50-tooth (1.0 metric pitch)
6448R	Spur gear, 50-tooth, steel (wide-face, 1.0 metric pitch)
6449	Spur gear, 54-tooth (1.0 metric pitch)
6449X	Spur gear, 54-tooth, steel (1.0 metric pitch)

Steering Components

2728	Ball bearings (5x8x2.5mm) (2)
7020	Ball bearings, blue rubber sealed (8x12x3.5mm) (2)
8947X	Servo horn, steel
8947	Servo horn, steering/ linkage, steering (46mm, assembled with pivot balls)
8946	Steering bellcranks/ bellcrank support/ servo saver/ servo saver spring/ draglink/ 3x20mm shoulder screws (2)
8948X	Toe links, front (TUBES blue-anodized, 7075-T6 aluminum, stronger than titanium) (88mm) (2)/ rod ends, rear (4)/ rod ends, front (4)/ aluminum wrench (1)
8948G	Toe links, front (TUBES green-anodized, 7075-T6 aluminum, stronger than titanium) (88mm) (2)/ rod ends, rear (4)/ rod ends, front (4)/ aluminum wrench (1)
8948A	Toe links, front (TUBES orange-anodized, 7075-T6 aluminum, stronger than titanium) (88mm) (2)/ rod ends, rear (4)/ rod ends, front (4)/ aluminum wrench (1)
8948R	Toe links, front (TUBES red-anodized, 7075-T6 aluminum, stronger than titanium) (88mm) (2)/ rod ends, rear (4)/ rod ends, front (4)/ aluminum wrench (1)
8948	Toe links, molded composite, 100mm (89mm center to center) (black) (2)

Suspension Linkage

8958	Rod ends (4) (assembled with steel pivot balls) (replacement ends for #8547A, 8547R, 8547X, 8948A, 8948G, 8948R, 8948X, 8997A, 8997G, 8997R, 8997X)
8942	Suspension pin set, front (left or right) (hardened steel), 4x64mm (1), 4x22mm (2), 4x38mm (1), 4x33mm (1), 4x47mm (1)

MAXX (89076-4)

- 8943 Suspension pin set, rear (left or right) (hardened steel), 4x64mm (1), 4x38mm (1), 4x33mm (1), 4x47mm (1)
 8941 Suspension pins, lower, inner (front or rear), 4x64mm (2) (hardened steel)
 8940 Suspension screw pin set, front or rear (hardened steel), 4x18mm (4), 4x38mm (2), 4x33mm (2), 4x43mm (2)
 8948X Toe links, front (TUBES blue-anodized, 7075-T6 aluminum, stronger than titanium) (88mm) (2)/ rod ends, rear (4)/ rod ends, front (4)/ aluminum wrench (1)
 8948G Toe links, front (TUBES green-anodized, 7075-T6 aluminum, stronger than titanium) (88mm) (2)/ rod ends, rear (4)/ rod ends, front (4)/ aluminum wrench (1)
 8948A Toe links, front (TUBES orange-anodized, 7075-T6 aluminum, stronger than titanium) (88mm) (2)/ rod ends, rear (4)/ rod ends, front (4)/ aluminum wrench (1)
 8948R Toe links, front (TUBES red-anodized, 7075-T6 aluminum, stronger than titanium) (88mm) (2)/ rod ends, rear (4)/ rod ends, front (4)/ aluminum wrench (1)
 8948 Toe links, molded composite, 100mm (89mm center to center) (black) (2)

Team Traxxas Items

- 2514 Decal sheet, racing sponsors
 9950 Official Team Traxxas® racing decal set (flag logo/ 6-color)
 9909 Traxxas® racing banner, red & black (3x7 feet)

Tires & Wheels

- 8447A Nuts, 5mm flanged nylon locking (aluminum, black-anodized, serrated) (4)
 8447X Nuts, 5mm flanged nylon locking (aluminum, blue-anodized, serrated) (4)
 8447G Nuts, 5mm flanged nylon locking (aluminum, green-anodized, serrated) (4)
 8447R Nuts, 5mm flanged nylon locking (aluminum, red-anodized, serrated) (4)
 8447 Nuts, 5mm flanged nylon locking (steel, black serrated) (8)
 5147X Nuts, 5mm flanged nylon locking (steel, serrated) (8)
 8973 Tires & wheels, assembled, glued (black wheels, dual profile (2.8" outer, 3.6" inner), Sledgehammer™ tires, foam inserts) (2) (17mm splined) (TSM® rated)
 8972 Tires & wheels, assembled, glued (black wheels, Maxx® All-Terrain tires, foam inserts) (2) (17mm splined) (TSM® rated)
 8972A Tires & wheels, assembled, glued (black, blue beadlock style wheels, Maxx® MT tires, foam inserts) (2) (17mm splined) (TSM® rated)
 8972T Tires & wheels, assembled, glued (black, orange beadlock style wheels, Maxx® MT tires, foam inserts) (2) (17mm splined) (TSM® rated)
 8972R Tires & wheels, assembled, glued (black, red beadlock style wheels, Maxx® MT tires, foam inserts) (2) (17mm splined) (TSM® rated)
 8972X Tires & wheels, assembled, glued (black, satin chrome beadlock style wheels, Maxx® MT tires, foam inserts) (2) (17mm splined) (TSM® rated)
 8970 Tires, Maxx® All-Terrain 2.8" (2)/ foam inserts (2)
 8956 Wheel hubs, hex (2)/ 2.5x14 pins (2)
 8956X Wheel hubs, hex, aluminum (blue-anodized) (4)/ 4x13mm screw pins (4)
 8956G Wheel hubs, hex, aluminum (green-anodized) (4)/ 4x13mm screw pins (4)
 8956T Wheel hubs, hex, aluminum (orange-anodized) (4)/ 4x13mm screw pins (4)
 8956R Wheel hubs, hex, aluminum (red-anodized) (4)/ 4x13mm screw pins (4)
 8654 Wheel hubs, splined, 17mm (blue-anodized) (4)/ 4x5 GS (4)/ 3x14mm pin (4)
 8654G Wheel hubs, splined, 17mm (green-anodized) (4)/ 4x5 GS (4)/ 3x14mm pin (4)
 8654A Wheel hubs, splined, 17mm (orange-anodized) (4)/ 4x5 GS (4)/ 3x14mm pin (4)
 8654R Wheel hubs, splined, 17mm (red-anodized) (4)/ 4x5 GS (4)/ 3x14mm pin (4)
 8957 Wheel washers, black (4)
 8957X Wheel washers, blue (4)
 8957G Wheel washers, green (4)
 8957T Wheel washers, orange (4)
 8957R Wheel washers, red (4)
 8971 Wheels (black) (2)

Transmission Components

- 8987 Covers, gear (2)
 8985 Input gear, transmission, 22-tooth/ 2.5x12mm pin
 8986 Input shaft, transmission
 5040 Oil, differential (20M wt) (standard)

Traxxas Tools

- 3433X Body reamer (aluminum handle)
 3433 Body reamer (plastic handle)
 3436 Cap, body reamer
 3432 Scissors, curved tip
 3431 Scissors, straight tip
 8712 Speed Bit Essentials Set, hex and nut driver, 7-piece, includes premium handle (medium), travel pouch, hex drivers (straight: 1.5mm, 2.0mm, 2.5mm) and nut drivers (5.0mm, 5.5mm, 7.0mm, and 8.0mm), 1/4" drive
 8721 Speed bit handle, medium (one piece)
 8720 Speed bit handle, premium, large (rubber overmold)
 8722 Speed bit handle, premium, medium (rubber overmold)
 8710 Speed Bit Master Set, hex and nut driver, 13-piece, includes premium handle (medium), travel pouch, hex drivers (straight: 1.5mm, 2.0mm, 2.5mm, 3.0mm), (ball-end: 2.0mm, 2.5mm, 3.0mm), and nut drivers (4.00mm, 4.50mm, 5.00mm, 5.50mm, 7.00mm, 8.00mm)
 8711 Speed Bit Master Set, hex driver, 7-piece straight and ball end, includes premium handle (medium), travel pouch, hex drivers (straight: 1.5mm, 2.0mm, 2.5mm, 3.0mm) (ball end: 2.0mm, 2.5mm, 3.0mm), 1/4" drive
 8719 Speed Bit Master Set, nut driver, 6-piece, includes premium handle (medium), travel pouch, and nut drivers (4.0mm, 4.5mm, 5.0mm, 5.5mm, 7.0mm, 8.0mm), 1/4" drive
 8716 Speed Bit Set, hex driver, 2-piece ball-end (2.0mm, 2.5mm), 1/4" drive
 8716X Speed Bit Set, hex driver, 3-piece ball-end (2.0mm, 2.5mm, 3.0mm), 1/4" drive
 8715 Speed Bit Set, hex driver, 3-piece straight (1.5mm, 2.0mm, 2.5mm), 1/4" drive
 8715X Speed Bit Set, hex driver, 4-piece straight (1.5mm, 2.0mm, 2.5mm, 3.0mm), 1/4" drive
 3415 Tool set with pouch (includes 1.5mm, 2.0mm, 2.5mm, 3.0mm, 3.5mm, 4mm drivers/ 4mm, 5mm, 5.5mm, 7mm and 8mm nut drivers/ 2mm, 4mm, and 5mm slotted screwdrivers/ #00 Phillips, #0 Phillips, and #1 Phillips screwdrivers/ 4mm and 8mm wrench/ driver handle)

Turnbuckles & Threaded Rods

- 8948X Toe links, front (TUBES blue-anodized, 7075-T6 aluminum, stronger than titanium) (88mm) (2)/ rod ends, rear (4)/ rod ends, front (4)/ aluminum wrench (1)
 8948G Toe links, front (TUBES green-anodized, 7075-T6 aluminum, stronger than titanium) (88mm) (2)/ rod ends, rear (4)/ rod ends, front (4)/ aluminum wrench (1)
 8948A Toe links, front (TUBES orange-anodized, 7075-T6 aluminum, stronger than titanium) (88mm) (2)/ rod ends, rear (4)/ rod ends, front (4)/ aluminum wrench (1)
 8948R Toe links, front (TUBES red-anodized, 7075-T6 aluminum, stronger than titanium) (88mm) (2)/ rod ends, rear (4)/ rod ends, front (4)/ aluminum wrench (1)
 8948 Toe links, molded composite, 100mm (89mm center to center) (black) (2)

WideMaxx™ Suspension Kit

- 8996R Driveshaft, steel constant velocity (shaft only, 109.5mm) (1) (replacement shaft for #8996X)
 8996A Driveshaft, steel constant-velocity (shaft only, 109.5mm) (4) (for conversion of #8950X driveshafts to WideMaxx™ suspension)
 8996X Driveshafts, steel constant-velocity (assembled), front or rear (4) (for use with #8995 WideMaxx™ suspension kit) (requires #8654 series 17mm splined wheel hubs and #7758 series 17mm nuts for a complete set)
 8999 Suspension arms, lower, black (left and right, front or rear) (2) (for use with #8995 WideMaxx™ suspension kit)
 8999X Suspension arms, lower, blue (left and right, front or rear) (2) (for use with #8995 WideMaxx™ suspension kit)
 8999G Suspension arms, lower, green (left and right, front or rear) (2) (for use with #8995 WideMaxx™ suspension kit)
 8999T Suspension arms, lower, orange (left and right, front or rear) (2) (for use with #8995 WideMaxx™ suspension kit)
 8999R Suspension arms, lower, red (left and right, front or rear) (2) (for use with #8995 WideMaxx™ suspension kit)
 8999A Suspension arms, lower, white (left and right, front or rear) (2) (for use with #8995 WideMaxx™ suspension kit)
 8998 Suspension arms, upper, black (left or right, front or rear) (2) (for use with #8995 WideMaxx™ suspension kit)
 8998X Suspension arms, upper, blue (left or right, front or rear) (2) (for use with #8995 WideMaxx™ suspension kit)
 8998G Suspension arms, upper, green (left or right, front or rear) (2) (for use with #8995 WideMaxx™ suspension kit)
 8998T Suspension arms, upper, orange (left or right, front or rear) (2) (for use with #8995 WideMaxx™ suspension kit)

- 8998R Suspension arms, upper, red (left or right, front or rear) (2) (for use with #8995 WideMaxx™ suspension kit)
- 8998A Suspension arms, upper, white (left or right, front or rear) (2) (for use with #8995 WideMaxx™ suspension kit)
- 8995 Suspension kit, WideMaxx™, black (includes front & rear suspension arms, front toe links, outer half shafts (extended), rear shock springs)
- 8995X Suspension kit, WideMaxx™, blue (includes front & rear suspension arms, front toe links, outer half shafts (extended), rear shock springs)
- 8995G Suspension kit, WideMaxx™, green (includes front & rear suspension arms, front toe links, outer half shafts (extended), rear shock springs)
- 8995T Suspension kit, WideMaxx™, orange (includes front & rear suspension arms, front toe links, outer half shafts (extended), rear shock springs)
- 8995A Suspension kit, WideMaxx™, white (includes front & rear suspension arms, front toe links, outer half shafts (extended), rear shock springs)
- 8997 Toe links, 119.8mm (108.6mm center to center) (black) (2) (for use with #8995 WideMaxx™ suspension kit)
- 8997X Toe links, front (TUBES blue-anodized, 6061-T6 aluminum) (2) (for use with #8995 WideMaxx™ suspension kit)
- 8997G Toe links, front (TUBES green-anodized, 6061-T6 aluminum) (2) (for use with #8995 WideMaxx™ suspension kit)
- 8997A Toe links, front (TUBES orange-anodized, 6061-T6 aluminum) (2) (for use with #8995 WideMaxx™ suspension kit)
- 8997R Toe links, front (TUBES red-anodized, 6061-T6 aluminum) (2) (for use with #8995 WideMaxx™ suspension kit)

If you have questions or need technical assistance, call Traxxas at:

1-888-TRAXXAS

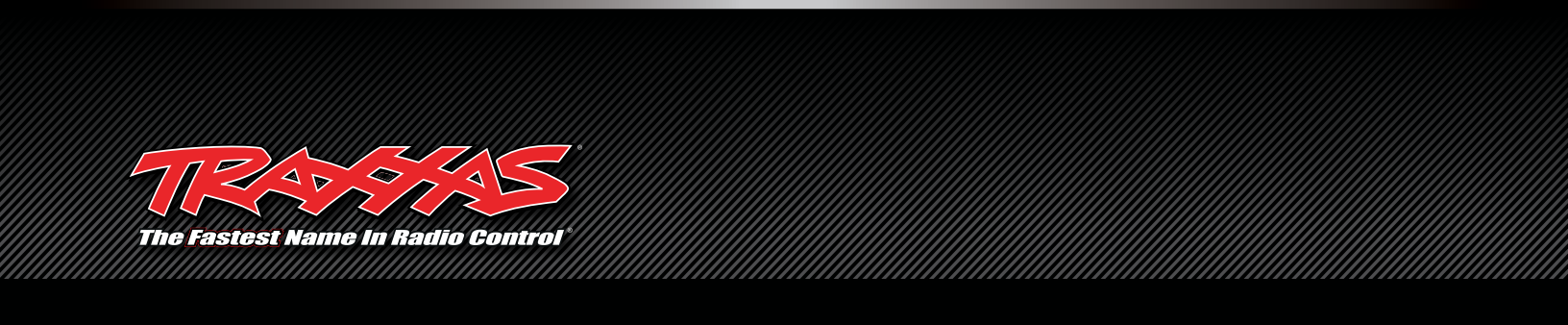
(1-888-872-9927) (U.S. residents only)

For orders, calls outside the U.S., and other information, call 972-549-3000, or fax to 972-549-3011 e-mail Traxxas at support@Traxxas.com

TRAXXAS.COM



TRAXXAS[®]
The Fastest Name In Radio Control[®]





TRAXXAS[®]

PARTS CATALOG

2019 Supplement

FOR TECHNICAL ASSISTANCE CALL TOLL-FREE
1-888-TRAXXAS

(1-888-872-9927)

E-MAIL: SUPPORT@TRAXXAS.COM

TRAXXAS, 6250 TRAXXAS WAY, MCKINNEY, TX 75070